



**VENTED GAS LOG APPLIANCE ACCESSORY  
OWNER'S OPERATION AND INSTALLATION  
MANUAL**

**MFEB MAGNIFLAME EMBER BED ACCESSORY  
BURNER KIT (CAT. NO. F0253) FOR USE ONLY  
WITH BURNER SYSTEM MODELS**

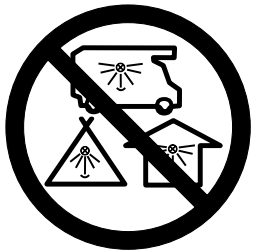
MAGNIFLAMEOD24NE, MAGNIFLAMEOD24NM,  
MAGNIFLAMEOD24PE, MAGNIFLAMEOD24PM,  
MAGNIFLAMEOD30NE, MAGNIFLAMEOD30NM,  
MAGNIFLAMEOD30PE, MAGNIFLAMEOD30PM,  
MFBOD24MN, MFBOD24MP, MNF24ONE, MNF24ONM,  
MNF24OPE, MNF24OPM, MNF30ONE, MNF30ONM,  
MNF30OPE, MNF30OPM

P/N 126913-01 REV. B 04/2022

The MFEB accessory kit may only be used when installed in a wood burning fireplace and may only be used with the burner systems and log models listed in this manual.

**WHEN USED AS AN OUTDOOR APPLIANCE**

**⚠ DANGER**



**CARBON MONOXIDE  
WARNING**

- This appliance can produce carbon monoxide which has no odor.
- Using it in an enclosed space can kill you.
- Never use this appliance in an enclosed space such as a camper, tent, car or home.

**⚠ WARNING: For Outdoor Use Only.**

**⚠ DANGER**

**IF YOU SMELL GAS:**

1. Shut off gas to appliance.
2. Extinguish any open flame.
3. If odor continues, keep away from the appliance and immediately call your gas supplier or fire department.

**⚠ WARNING: Do not store gasoline or other flammable vapors and liquids in the vicinity of this or any other appliance. An LP-cylinder not connected for use shall not be stored in the vicinity of this or any other appliance.**

**⚠ WARNING: Improper installation, adjustment, alteration, service or maintenance can cause injury or property damage. Read the installation, operating and maintenance instructions thoroughly before installing or servicing this equipment.**

**WHEN USED AS INDOOR VENTED APPLIANCE**

**⚠ WARNING: If the information in this manual is not followed exactly, a fire or explosion may result causing property damage, personal injury or loss of life.**

- Do not store or use gasoline or other flammable vapors and liquids in the vicinity of this or any other appliance.
- **WHAT TO DO IF YOU SMELL GAS**
  - Do not try to light any appliance.
  - Do not touch any electrical switch; do not use any phone in your building.
  - Immediately call your gas supplier from a neighbor's phone. Follow the gas supplier's instructions.
  - If you cannot reach your gas supplier, call the fire department.
- Installation and service must be performed by a qualified installer, service agency or the gas supplier.

**INSTALLER: Leave this manual with the appliance.  
CONSUMER: Retain this manual for future reference.**

## TABLE OF CONTENTS

Safety .....	2	Specifications .....	9
Local Codes .....	4	Technical Service .....	9
Unpacking .....	4	Replacement Parts .....	9
Product Features .....	4	Troubleshooting .....	10
Installation .....	4	Parts .....	11
Operation .....	9	Warranty .....	Back Cover

### SAFETY

**⚠ WARNING:** Improper installation, adjustment, alteration, service or maintenance can cause injury or property damage. Refer to this manual for correct installation and operational procedures. For assistance or additional information consult a qualified installer, service agency or the gas supplier.

**⚠ WARNING:** This appliance is for installation only in a solid-fuel burning masonry or UL127 factory-built fireplace or in a listed unvented vent free outdoor fireplace. Do not install this appliance in an unvented fireplace indoors.

**⚠ WARNING:** Fireplace must be operated only with doors fully open.

**⚠ WARNING:** This product contains and/or generates chemicals known to the state of California to cause cancer or birth defects or other reproductive harm.

**IMPORTANT:** Read this owner's manual carefully and completely before trying to assemble, operate or service this fireplace. Improper use of this fireplace can cause serious injury or death from burns, fire, explosion, electrical shock and carbon monoxide poisoning.

**IMPORTANT:** When specifications are listed in both this instruction manual and the burner system's instruction manual, use the specifications and/or requirements stated in this instruction manual.

**⚠ DANGER:** Carbon monoxide poisoning may lead to death!

**Carbon Monoxide Poisoning:** Early signs of carbon monoxide poisoning resemble the flu, with headaches, dizziness or nausea. If you have these signs, the fireplace may not be working properly. **Get fresh air at once!** Have fireplace serviced. Some people are more affected by carbon monoxide than others. These include pregnant women, people with heart or lung disease or anemia, those under the influence of alcohol and those at high altitudes.

Natural and Propane/LP gases are odorless. An odor-making agent is added to these gases. The odor helps you detect a gas leak. However, the odor added to the gas can fade. Gas may be present even though no odor exists.

Make certain you read and understand all warnings. Keep this manual for reference. It is your guide to safe and proper operation of this fireplace.

**⚠ WARNING:** Any change to this appliance or its controls can be dangerous.

**Solid fuels shall not be burned in a fireplace where a decorative appliance is installed.**

**Due to high temperatures, the appliance should be located out of traffic and away from furniture and draperies.**

**Do not place clothing or other flammable material on or near the appliance. Never place any objects on the appliance.**

**Appliance base assembly becomes very hot when running appliance. Keep children and adults away from hot surface to avoid burns or clothing ignition. Appliance will remain hot for a time after shutdown. Allow surface to cool before touching.**

**Carefully supervise young children when they are in the room with appliance. When using the hand-held remote accessory, keep selector switch in the OFF position to prevent children from turning on burners with remote.**



## SAFETY

*Continued*

**You must operate this appliance with the fireplace screen and hood in place. Make sure fireplace screen and hood are in place before running appliance.**

**Keep the appliance area clear and free from combustible materials, gasoline and other flammable vapors and liquids.**

1. This appliance is only for use with the type of gas indicated on the rating plate. This appliance is not convertible for use with other gases.
2. Do not place propane/LP supply tank(s) inside any structure. Locate propane/LP supply tank(s) outdoors (propane/LP units only).
3. If you smell gas
  - shut off gas supply
  - do not try to light any appliance
  - do not touch any electrical switch; do not use any phone in your building
  - immediately call your gas supplier from a neighbor's phone. Follow the gas supplier's instructions
  - if you cannot reach your gas supplier, call the fire department
4. This appliance shall not be installed in a bedroom or bathroom, unless installed as a vented appliance. See burner system instruction manual for damper clamp installation. This gas log set may not be installed as a vented appliance in a bedroom or bathroom in the Commonwealth of Massachusetts.
5. Before installing in a solid fuel burning fireplace, the chimney flue and firebox must be cleaned of soot, creosote, ashes and loose paint by a qualified chimney cleaner. Creosote will ignite if highly heated. A dirty chimney flue may create and distribute soot within the house. Inspect chimney flue for damage. If damaged, repair flue and firebox before operating appliance.
6. If fireplace has glass doors, never operate this appliance with glass doors closed. If you operate appliance with doors closed, heat buildup inside fireplace will cause glass to burst. Make sure there are no obstructions across openings of fireplace.
7. To prevent the creation of soot, follow the instructions provided with your burner system's manual under *Cleaning and Maintenance*.
8. Before using furniture polish, wax, carpet cleaner or similar products, turn appliance off. If heated, the vapors from these products may create a white powder residue within burner box or on adjacent walls and furniture.
9. Do not use this appliance as a wood burning appliance. Use only the logs provided with the appliance. Do not burn solid fuels in this appliance.
10. Do not run appliance
  - where flammable liquids or vapors are used or stored
  - under dusty conditions
11. Do not use this appliance to cook food or burn paper or other objects.
12. Do not use this appliance if any part has been exposed to or under water. Immediately call a qualified service technician to inspect the room appliance and to replace any part of the control system and any gas control which has been under water.
13. Do not operate appliance if any log is broken.
14. Turn appliance off and let cool before servicing, installing or repairing. Only a qualified service person should install, service or repair appliance.
15. This appliances must not be connected to any external electrical source.
16. Operating appliance above elevations of 4,500 feet may cause pilot outage.
17. To prevent performance problems, do not use propane/LP fuel tank of less than 100 lb. capacity (propane/LP units only).
18. Provide adequate clearances around air openings.
19. Do not operate fireplace if any log is broken.

**If used with MFEB accessory ember burner, this appliance shall only be installed in a wood burning fireplace.**

## LOCAL CODES

Install and use appliance with care. Follow all local codes. In the absence of local codes, use the latest edition of *The National Fuel Gas Code, ANSI Z223.1/NFPA 54\**.

\*Available from:

American National Standards Institute, Inc.  
25 West 43rd Street, 4th floor  
New York, NY 10036

National Fire Protection Association, Inc.  
1 Batterymarch Park  
Quincy, MA 02169-7471

### COMMONWEALTH OF MASSACHUSETTS REQUIREMENTS

These appliances are approved for installation in the US state of Massachusetts if the following additional requirements are met:

- Un-vented Room Heaters shall be installed in accordance with 527 CMR 30.
- Installation and repair must be done by a plumber or gas fitter licensed in the Commonwealth of Massachusetts.
- The flexible gas line connector used shall not exceed 36 inches (92 centimeters) in length.
- The individual manual shut-off must be a T-handle type valve.
- Unvented appliances may NOT be installed in bedrooms or bathrooms.
- A working smoke detector must be installed in the area where vent-free appliances are installed.

Seller of unvented propane or natural gas-fired supplemental room heaters shall provide to each purchaser a copy of 527 CMR 30 upon sale of the unit.

## UNPACKING

**CAUTION:** Do not remove the data plates from the grate assembly. The data plates contain important warranty and safety information.

1. Remove appliance base assembly from carton(s).
2. Remove all protective packaging applied to logs and appliance for shipment.
3. Check appliance for any shipping damage. If appliance is damaged call FMI PRODUCTS, LLC at 1-866-328-4537 for replacement parts before returning to dealer.

## PRODUCT FEATURES

### OPERATION

This accessory is for use only with the models listed on the front cover. When used with these models, the appliance may only be installed in a site built wood burning fireplace or a UL 127 listed wood burning fireplace. The fireplace's vent damper must be locked in the open position. This accessory may be used either indoors or outdoors.

## INSTALLATION

**CAUTION:** Do not remove the data plates attached to the burner pan. The data plates contain important warranty and safety information.

**CAUTION:** Before attempting to install this accessory, read both the burner system instruction manual and this instruction manual completely.

**WARNING:** Before installing in a solid fuel burning fireplace, the chimney flue and firebox must be cleaned of soot, creosote, ashes and loose paint by a qualified chimney cleaner. Creosote will ignite if highly heated. A dirty chimney flue may create and distribute soot within the house. Inspect chimney flue for damage. If damaged, repair flue before operating heater.

**NOTICE:** Installation, service, and repair of this appliance must be performed by a qualified installer, service agency, company or gas supplier experienced with this type of gas appliance. Only factory authorized components listed in these instructions may be used in accordance with the manufacturer's instructions and all codes and requirements of the authority having jurisdiction. Any modifications to this kit, or use of unauthorized components or accessory items will void the manufacturer's warranty, and may result in a hazardous condition.

### FLUE OPENING SPECIFICATIONS

*Note: This vented appliance must be installed only in a solid-fuel burning fireplace with a working flue and constructed of noncombustible material.*

The charts in Figure 1, indicate technical information regarding the installation of your gas log set. Please make sure that all of the specifications shown are applicable before installation is attempted.

The fireplace must include a working flue and venting system with the minimum openings shown in the Figure 1.

### INSTALLATION AND CLEARANCES

**WARNING:** Maintain the minimum clearances. If you can, provide greater clearances from floor, ceiling and adjoining wall.

**WARNING:** Follow the fireplace and mantel clearance requirements as shown in the fireplace instruction manual.

### MINIMUM FIREPLACE CLEARANCE TO COMBUSTIBLE MATERIALS

Side Wall 16", Ceiling 42"  
Floor 5", Front: 36"

# INSTALLATION

*Continued*

Area of Various Standard Round Flues	
Diameter	Area
5"	20 sq. inches
6"	29 sq. inches
7"	39 sq. inches
8"	51 sq. inches

Chimney Height	Minimum Permanent Flue Opening
6' to 15'	45 sq. inches
15' to 30'	29 sq. inches

FUEL INLET PRESSURE SPECIFICATIONS (W.C.)		
	Min.	Max.
NG	5.5"	10.5"
LP	11"	13"

LOG SIZING REQUIREMENTS WITH MFEB INSTALLED				
Log Size	Minimum Firebox Size			
	Height	Depth	Front Width	Rear Width
36"	28"	19"	32-1/2"	22-1/2"
42"	28"	21-3/4"	39"	26-3/8"
48"	28"	21-3/4"	47"	33"

BURNER ORIFICE			
NATURAL		PROPANE/LP	
IN.	COLOR	IN.	COLOR
0.101	Green	0.065	Brass

**Figure 1 - Technical Information Chart**

### VENTING SPECIFICATIONS FOR INSTALLATION

The fireplace chimney flue and vent must be drafting properly. To check the vent for proper drafting: Light a tightly rolled newspaper on one end and place it at the inside front edge of the fireplace. Observe the smoke and be sure the vent is properly drawing it up the chimney. If the smoke spills out into the room, extinguish the flame and remove any obstruction until proper venting is achieved.

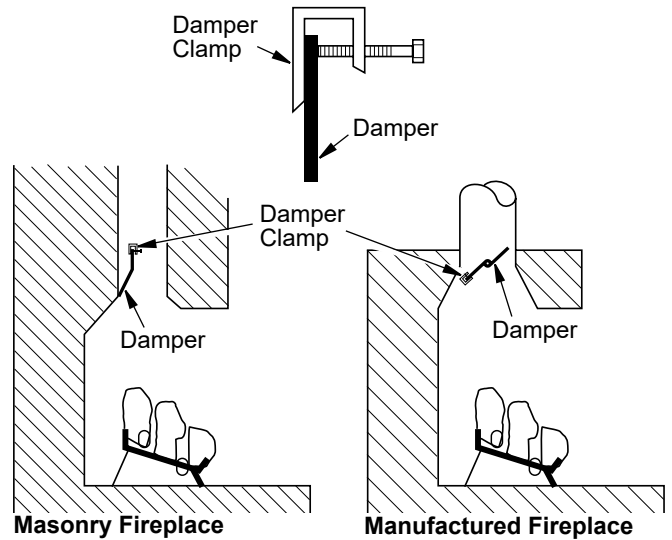
The chimney flue must remain open as shown in the chart above at all times during the operation of this log set.

### For Massachusetts Residents Only

Installation of this vented gas log set in the Commonwealth of Massachusetts requires the damper be permanently removed or welded in the fully open position.

### INSTALLING DAMPER CLAMP

Secure the damper stop clamp provided to the leading edge of the damper as shown in Figure 2. If for any reason this clamp doesn't work on your fireplace, another suitable clamp or permanent stop must be installed, or the damper blade must be cut or removed.



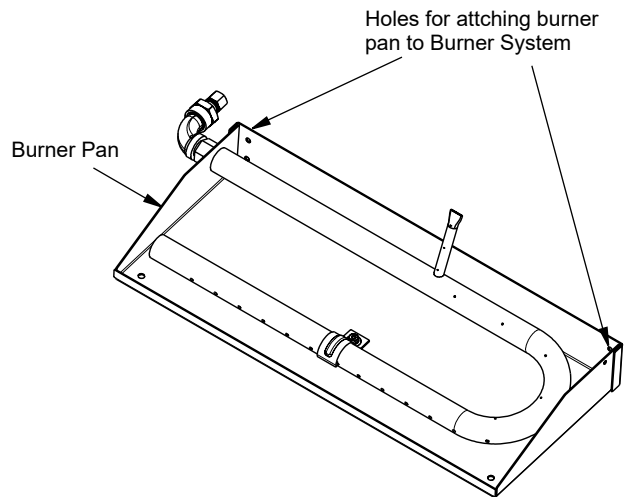
**Figure 2 - Attaching Damper Clamp**

### INSTALLING MFEB TO BURNER ASSEMBLY

#### Installation items needed

- MFEB Ember Burner accessory
- 5/8" wrench
- 5/16" nut driver
- Phillips screwdriver
- Adjustable wrench
- Large pliers or pipe wrench

1. Attach MFEB burner pan to burner system using four (4) #10 screws as shown in Figure 3.

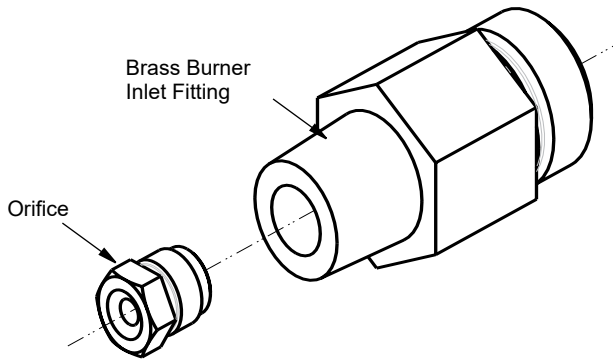


**Figure 3 - Attaching Burner Pan to Burner System**

2. Locate the brass burner inlet fitting - orifice assembly. It is shipped from the factory set for use on propane/LP gas. Check the gas type for your installation to verify the gas type. If the burner system is for propane/LP gas, no changes are needed for this assembly, if the burner is for natural gas, the outer orifice (stamped "52") must be removed, (see Figure 4, page 6).

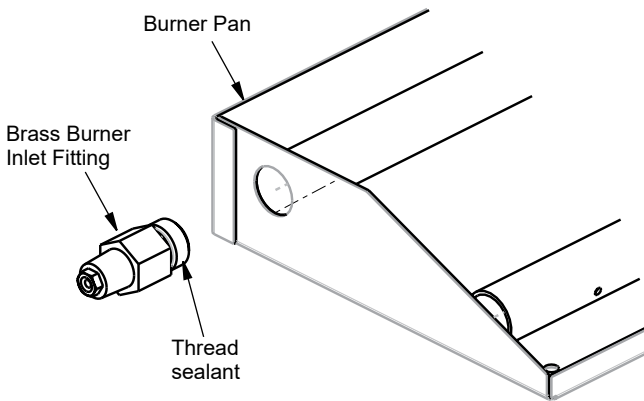
# INSTALLATION

*Continued*



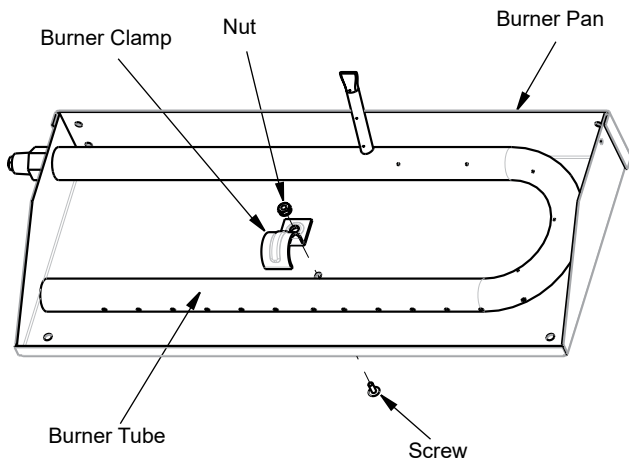
**Figure 4 - Installing Brass Burner Inlet Fitting**

- Using thread sealant (resistant to action of propane/LP gas) on larger end of the burner inlet fitting - orifice assembly, screw the assembly through the hole in the left side of the burner pan and into the burner as shown in Figure 5. Tighten using a wrench.



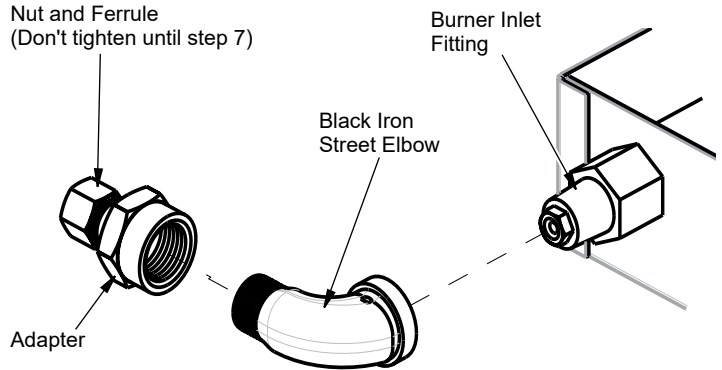
**Figure 5 - Installing Orifice Assembly to Burner Pan**

- Using burner clamp, screw and nut provided, assemble the clamp to the pan and tighten. This will hold the burner in place, (see Figure 6).



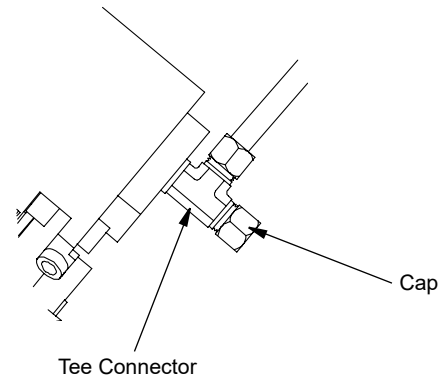
**Figure 6 - Attaching Burner Clamp to burner Pan**

- Using thread sealant (resistant to action of propane/LP gas) on the exposed end of the burner inlet fitting - orifice assembly and on the threaded end of the black iron street elbow, screw the adapter, elbow, and assembly together as shown in Figure 7. The adapter must be positioned as shown in figure. Tighten with wrench.



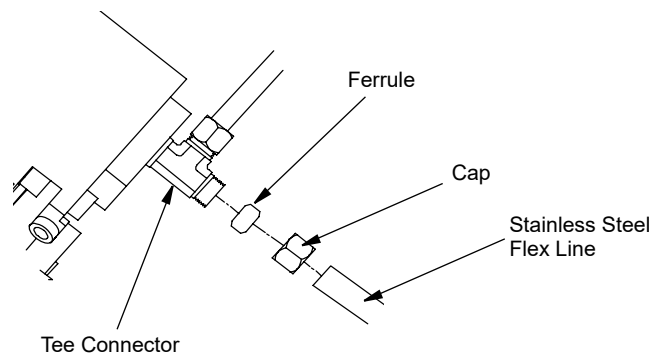
**Figure 7 - Attaching Inlet Fitting, Orifice and Elbow**

- Remove cap from tee as shown in Figure 8.



**Figure 8 - Removing Cap From Tee**

- Attach the stainless steel flex line to the tee and to the adapter as shown in Figure 7 and Figure 9. Be certain to place the compression nuts and ferrules on each end of the flex line as shown. Tighten the nuts using a wrench.



**Figure 9 - Attaching stainless steel Flex Line**

# INSTALLATION

Continued

## CONNECTING TO GAS SUPPLY

**⚠ WARNING: A qualified service person must connect appliance to gas supply. Follow all local codes.**

**⚠ CAUTION: Never connect propane/LP fireplace directly to the propane/LP supply. This appliance requires an external regulator (not supplied). Install the external regulator between the appliance and propane/LP supply.**

**⚠ WARNING: Never connect natural gas fireplace to private (non-utility) gas wells. This gas is commonly known as wellhead gas.**

### Installation Items Needed

Before installing appliance, make sure you have the items listed below.

- external regulator (supplied by installer)
- piping (check local codes)
- sealant (resistant to propane/LP gas)
- equipment shutoff valve \*
- test gauge connection \*
- sediment trap
- tee joint
- pipe wrench
- approved flexible gas line with gas connector (if allowed by local codes) (not provided)

\* An equipment shutoff valve with 1/8" NPT tap is an acceptable alternative to test gauge connection. Purchase the optional equipment shutoff valve from your dealer.

For propane/LP units, the installer must supply an external regulator. The external regulator will reduce incoming gas pressure. You must reduce incoming gas pressure to between 11" and 14" of water. If you do not reduce incoming gas pressure, appliance regulator damage could occur. Install external regulator with the vent pointing down as shown in Figure 10. Pointing the vent down protects it from freezing rain or sleet.

**⚠ CAUTION: Use only new, black iron or steel pipe. Internally-tinned copper tubing may be used in certain areas. Check your local codes. Use pipe of 1/2" diameter or greater to allow proper gas volume to appliance. If pipe is too small, undue loss of volume will occur.**

Installation must include an equipment shutoff valve, union and plugged 1/8" NPT tap. Locate NPT tap within reach for test gauge hook up. NPT tap must be upstream from appliance (see Figure 11).

**IMPORTANT:** Install equipment shutoff valve in an accessible location. The equipment shutoff valve is for turning on or shutting off the gas to the appliance.

Check your building codes for any special requirements for locating equipment shutoff valve to fireplaces.

Apply pipe joint sealant lightly to male NPT threads. This will prevent excess sealant from going into pipe. Excess sealant in pipe could result in clogged appliance valves.

**⚠ WARNING: Use pipe joint sealant that is resistant to liquid petroleum (LP) gas.**

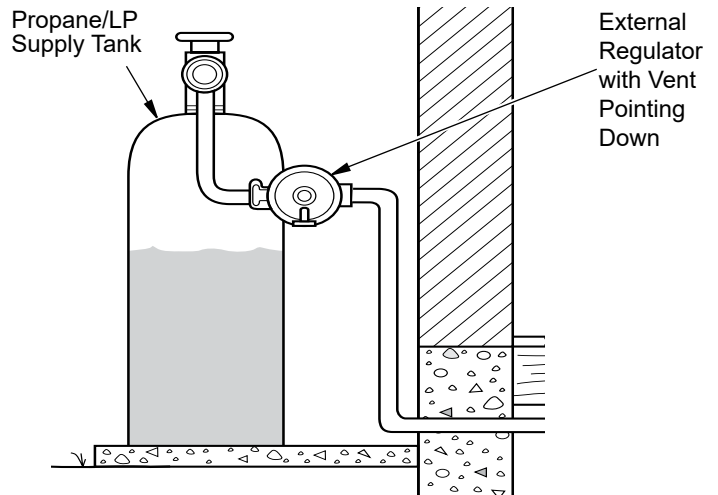


Figure 10 - External Regulator With Vent Pointing Down

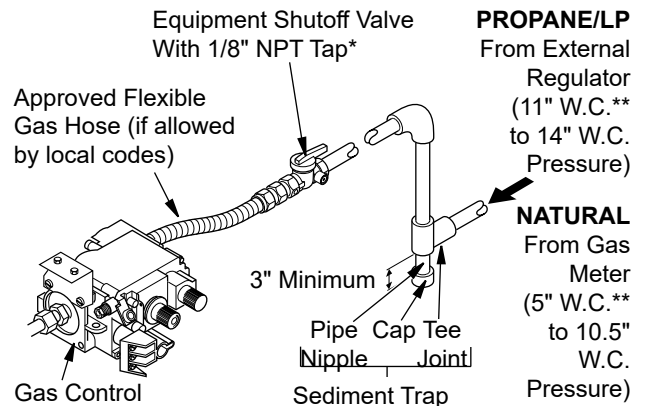


Figure 11 - Gas Connection

\* Purchase the optional equipment shutoff valve from your dealer.

\*\*Minimum inlet pressure for purpose of input adjustment.

## INSTALLATION

Continued

We recommend that you install a sediment trap in supply line as shown in Figure 11, page 7. Locate sediment trap where it is within reach for cleaning. Install in piping system between fuel supply and appliance. Locate sediment trap where trapped matter is not likely to freeze. A sediment trap traps moisture and contaminants. This keeps them from going into appliance controls. If sediment trap is not installed or is installed wrong, appliance may not run properly.

**⚠ CAUTION: Avoid damage to gas control. Hold gas control with wrench when connecting it to gas piping and/or fittings.**

### CHECKING GAS CONNECTIONS

**⚠ WARNING: Test all gas piping and connections, internal and external to unit, for leaks after installing or servicing. Correct all leaks at once.**

**⚠ WARNING: Never use an open flame to check for a leak. Apply a noncorrosive leak detection fluid to all joints. Bubbles forming show a leak. Correct all leaks at once.**

**⚠ CAUTION: Make sure external regulator has been installed between propane/LP supply and appliance. See guidelines under Connecting to Gas Supply, page 7.**

### PRESSURE TESTING GAS SUPPLY PIPING SYSTEM

#### Test Pressures In Excess Of 1/2 PSIG (3.5 kPa)

1. Disconnect appliance with its appliance main gas valve (control valve) and equipment shutoff valve from gas supply piping system. Pressures in excess of 1/2 psig will damage appliance regulator.
2. Cap off open end of gas pipe where equipment shutoff valve was connected.
3. Pressurize supply piping system by either opening propane/LP supply tank valve for propane/LP gas or opening main gas valve located on or near gas meter for natural gas or using compressed air.
4. Check all joints of gas supply piping system. Apply noncorrosive leak detection fluid to all joints. Bubbles forming show a leak.
5. Correct all leaks at once.
6. Reconnect appliance and equipment shutoff valve to gas supply. Check reconnected fittings for leaks.

#### Test Pressures Equal To or Less Than 1/2 PSIG (3.5 kPa)

1. Close equipment shutoff valve (see Figure 12).
2. Pressurize supply piping system by either opening propane/LP supply tank valve for propane/LP gas or opening main gas valve located on or near gas meter for natural gas or using compressed air.

3. Check all joints from gas meter to equipment shutoff valve for natural gas or propane/LP supply to equipment shutoff valve for propane/LP (see Figure 13 or Figure 14). Apply noncorrosive leak detection fluid to all joints. Bubbles forming show a leak.

4. Correct all leaks at once.

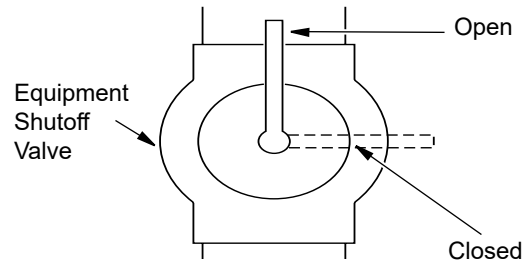


Figure 12 - Equipment Shutoff Valve

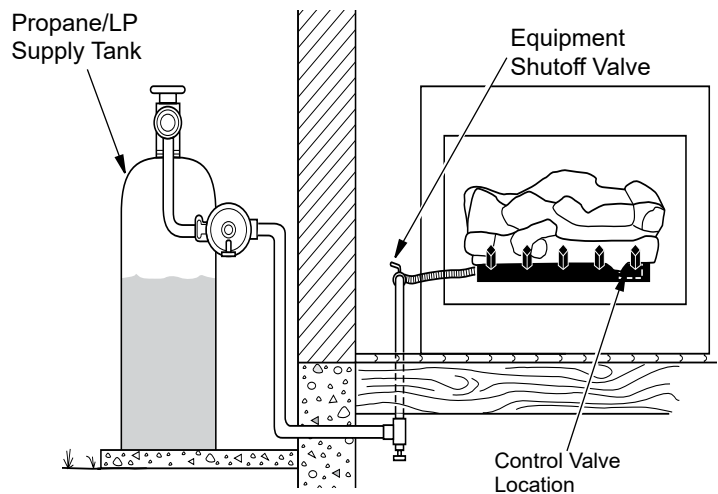


Figure 13- Checking Gas Joints (Propane/LP Only)

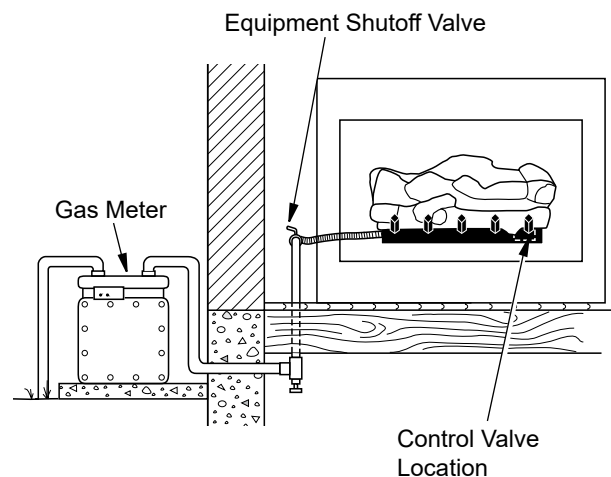


Figure 14 - Checking Gas Joints (Natural Gas Only)



## INSTALLATION

*Continued*

### PRESSURE TESTING APPLIANCE GAS CONNECTIONS

1. Open equipment shutoff valve (see Figure 12, page 8).
2. Open main gas valve located on or near gas meter for natural gas or open propane/LP supply tank valve.
3. Make sure control knob of appliance is in the OFF position.
4. Check all joints from gas meter to equipment shutoff valve for natural gas or propane/LP supply to equipment shutoff valve for propane/LP (see Figure 13, or Figure 14, page 8). Apply noncorrosive leak detection fluid to all joints. Bubbles forming show a leak.
5. Correct all leaks at once.
6. Light appliance (follow the *Operation* instructions accompanying your burner system). Check all other internal joints for leaks.
7. Turn off appliance (see *To Turn Off Gas to Appliance*, follow the instructions accompanying your burner system).

### ADDING PAN MATERIAL

Two pan materials are included with the MFEB. Lava rock, small grey/black rock is for use on the burner pan for outdoor applications. Vermiculite, light tan - lightweight material, is for use on the burner pan for indoor applications.

Apply the material for your application on the burner pan by spreading it evenly across the burner pan so that it is level with the edges of the burner pan and covers the round, tubular burner.

### ADDING EMBER MATERIAL (INDOORS ONLY)

Two ember materials are included with the MFEB. Apply rock wool glowing embers by spreading a 1/2 inch layer of rock wool on top of the pan material. Pull any clumps apart so that the flames will pass through the pieces. Apply Platinum Bright Embers by placing the pieces randomly over the rock wool.

**⚠ WARNING: Failure to position the parts in accordance with these diagrams or failure to use only parts specifically approved with this appliance may result in property damage or personal injury.**

### OPERATION

**⚠ CAUTION: Follow the OPERATION instructions accompanying your burner system for critical safety information and for instructions on how to operate your burner system.**

## SPECIFICATIONS

**MAGNIFLAMEOD24NE, MAGNIFLAMEOD24NM, MAGNIFLAMEOD30NE, MAGNIFLAMEOD30NM, MFBOD24MN, MNF24ONE, MNF24ONM, MNF30ONE, MNF30ONM,**

Burner systems with MFEB optional ember burner installed.

- Rating (Variable): 40,000/65,000 Btu/Hr
- Type Gas: Natural
- Manifold Pressure: 3.4" W.C.
- Inlet Gas Pressure (in. of water):  
Max - 10.5" W.C., Min\* - 5" W.C.

\*For purpose of input adjustment

**MAGNIFLAMEOD24PE, MAGNIFLAMEOD24PM, MAGNIFLAMEOD30PE, MAGNIFLAMEOD30PM, MFBOD24MP, MNF24OPE, MNF24OPM, MNF30OPE, MNF30OPM**

Burner systems with MFEB optional ember burner installed.

- Rating (Variable): 50,000/70,000 Btu/Hr
- Type Gas: Propane/LP
- Manifold Pressure: 10.0" W.C.
- Inlet Gas Pressure (in. of water):  
Max - 14" W.C., Min\* - 11" W.C.

\*For purpose of input adjustment

## REPLACEMENT PARTS

Normally, all parts should be ordered through your IHP distributor or dealer. Parts will be shipped at prevailing prices at time of order.

**NEVER USE SUBSTITUTE MATERIALS. USE OF NON-APPROVED PARTS CAN RESULT IN POOR PERFORMANCE AND SAFETY HAZARDS.**

**When ordering repair parts, always give the following information:**

1. The model number of the appliance.
2. The serial number of the appliance.
3. The part number.
4. The description of the part.
5. The quantity required.
6. The installation date of the appliance.

If you encounter any problems or have any questions concerning the installation or application of this appliance, please contact your dealer.

## TECHNICAL SERVICE

You may have further questions about installation, operation, or troubleshooting. Please contact your IHP dealer for any questions or concerns. When contacting your dealer please have your model and serial numbers of your appliance ready. You can also visit our web site at [IHP.us.com](http://IHP.us.com).

## MFEB TROUBLESHOOTING

**⚠ WARNING:** Turn off log set and let cool before servicing. Only a qualified service person should service and repair log set.

**Note:** All troubleshooting items are listed in order of operation.

**Note:** Also see troubleshooting section of your burner system's instruction manual.

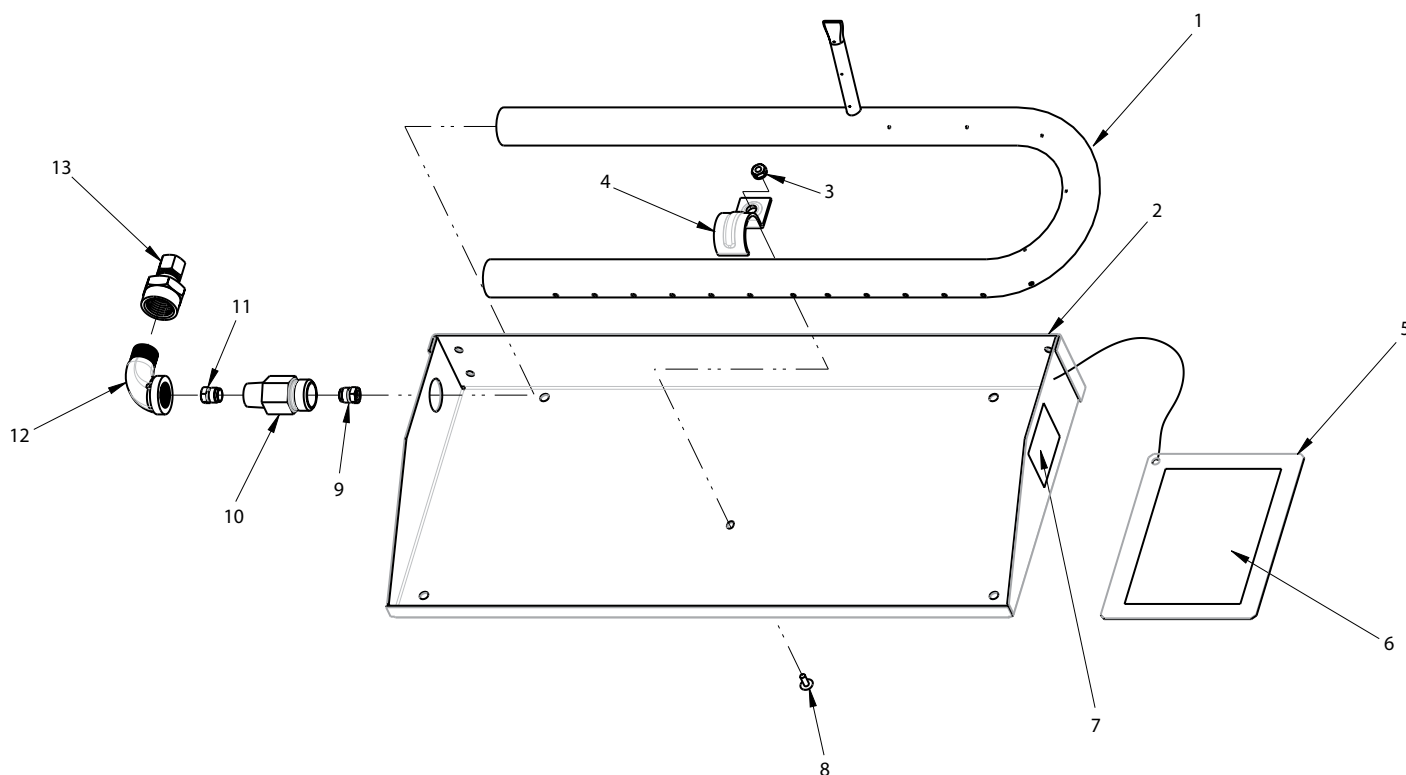
OBSERVED PROBLEM	POSSIBLE CAUSE	REMEDY
Log set is smoking/sooting excessively <i>(Note: It is natural and unavoidable for vented gas log sets to produce moderate levels of carbon (soot) where flames contact the logs. This is especially true with propane/LP gas.)</i>	1. Poor fuel quality 2. Fireplace venting system not drafting properly 3. Improper fuel/air mixture 4. Excessive gas supply/pressure	1. Contact local natural or propane/LP gas company 2. Adjust damper wide open and/or have fireplace and venting professionally cleaned and checked 3. Remove any foreign items from the flame pattern and/or check for proper orifice sizing 4. Preheat flue in very cold weather
Burner is excessively noisy <i>(Note: The movement and combustion of gas will create low, unavoidable levels of noise.)</i>	1. Passage of air/gas across irregular surfaces	1. Relieve any tight bends or kinks in gas supply line
Burner flame is too low or too high	1. Incorrect gas supply or pressure 2. Blocked burner orifice or burner manifold ports 3. Improper burner orifice size	1. Check for proper gas supply pressure 2. Free burner orifice and manifold ports of any burrs, paint, or other blockage 3. Verify proper burner orifice sizing (see Figure 1, page 5)

**⚠ WARNING:** If you smell gas

- Shut off gas supply.
- Do not try to light any appliance.
- Do not touch any electrical switch; do not use any phone in your building.
- Immediately call your gas supplier from a neighbor's phone. Follow the gas supplier's instructions.
- If you cannot reach your gas supplier, call the fire department.

**IMPORTANT:** Operating appliance where impurities in air exist may create odors. Cleaning supplies, paint, paint remover, cigarette smoke, cements and glues, new carpet or textiles, etc., create fumes. These fumes may mix with combustion air and create odors. These odors will disappear over time.

## PARTS MFEB



This list contains replaceable parts used in your appliance. When ordering parts, follow the instructions listed under Replacement Parts on page 11 of this manual.

<b>KEY</b>			
<b>NO.</b>	<b>PART NO.</b>	<b>DESCRIPTION</b>	<b>QTY.</b>
1	J8157	Burner Outdoor Ember Bed	1
2	J8158	Pan Outdoor Ember Bed	1
3	J7231	Nut #8-32	1
4	J8159	Clamp, 1" Burner	1
5	J6489	Plate, Log Placement	1
6	J8160	Decal, Installation	1
	J8161	Decal, Pan Material	1
7	J8162	Decal, Warning	1
8	J7230	Screw, PPH #8-32 X .38	1
9	J7202	Injector, (NG)	1
10	J7221	Holder, Injector (NG)	1
11	J8163	Orifice (0.101)	1
12	J8164	Elbow 3/8" Pipe Street	1
13	J8165	Adapter, 3/8 Pipe to 3/8 Tube	1

This list contains replaceable parts used in your appliance. When ordering parts, follow the instructions listed under Replacement Parts on page 11 of this manual.

### PARTS AVAILABLE, NOT SHOWN - ALL MODELS

J7274	Vermiculite, Pln. Bag #1.00	1
J7275	Pan Material - 0.4# Pln. Bag Ember	1
J7287	Clamp Damper	1
J7096	Lava Rock Bag Assembly 4.5 Lbs.	1
J4714	Flex Tube	1
J4733	Compression Nut and Ferrule	2

---

**IHP reserves the right to make changes at any time, without notice, in design, materials, specifications, prices and also to discontinue colors, styles and products. Consult your local distributor for fireplace code information.**



**Printed in U.S.A. © 2022 Innovative Hearth Products  
P/N 126913-01 Rev. B 04/2022**

**1508 Elm Hill Pike, Suite 108 • Nashville, TN 37210**