

BDG36, BDG42, AND BD50 GLASS BI-FOLD DOOR KITS

[FOR USE WITH MODELS ORACLE36/42/50, GEORGIAN36/42/50, WRE4536/42/50, WRT4536/42/50, WRE6036/42/50, AND WRT6036/42/50]

KIT CONTENTS

1 ea. Glass Bi-Fold Doors
1 ea. Instruction Sheet

Cat. No.	Model	Description
F1002	BDG36	36" Bi-Fold Door, Black
F1005	BDG42	42" Bi-Fold Door, Black
F1008	BD50	50" Bi-Fold Door, Black

REQUIRED TOOLS AND SUPPLIES

1/8" Shims
Phillips Screwdriver

GENERAL INFORMATION

READ ALL THE STEPS BEFORE STARTING THE INSTALLATION
THE FIREPLACE MUST BE OFF AND COLD BEFORE BEGINNING.

ALL WARNINGS, PRECAUTIONS AND INSTRUCTIONS IN THE INSTALLATION AND OPERATION MANUAL PROVIDED WITH THE APPLIANCE APPLY TO THESE INSTRUCTIONS.

If you encounter any problems, need clarification of these instructions or are not qualified to properly install this kit, contact your local distributor or dealer.

If any of these parts are missing or damaged, contact your dealer or IHP.us.com for referral information.

INSTALLING DOOR FRAMES

NOTICE: DOOR FRAMES MUST BE INSTALLED PRIOR TO INSTALLATION OF REFRACTORY PANELS. IF PANELS ARE INSTALLED, REMOVE THE BACK AND SIDES AND SLIDE THE BOTTOM REFRACTORY PANEL TOWARD THE REAR OF THE FIREPLACE TO ALLOW FOR INSTALLATION.

1. Remove screws from smoke shelf (see *Figure 1*).
2. Mount top door frame and secure with screws removed in step 1 (see *Figure 1*).
3. Remove three screws located at front of firebox bottom (see *Figure 2*).
4. Align bottom frame mounting holes with holes at front of firebox and secure with screws removed in step 3.
5. Re-install refractory panels if they had to be removed.

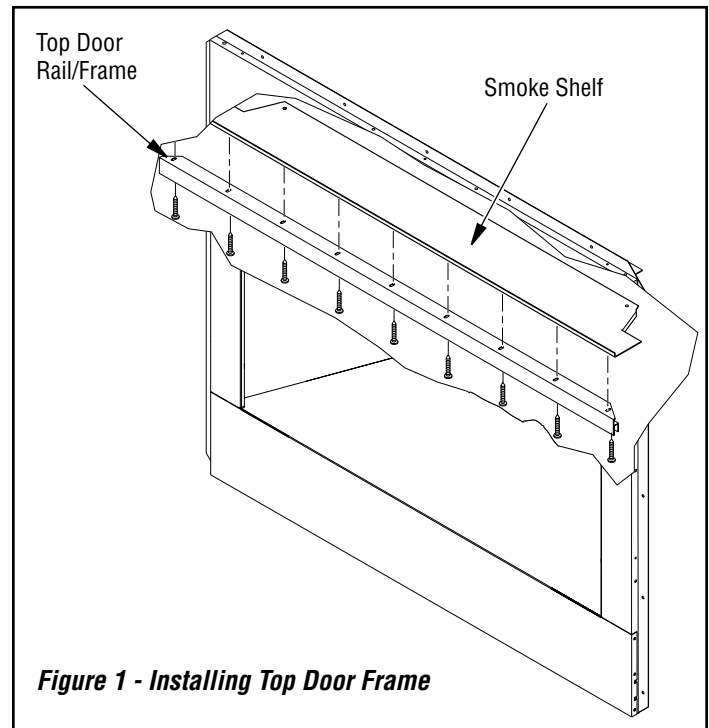


Figure 1 - Installing Top Door Frame

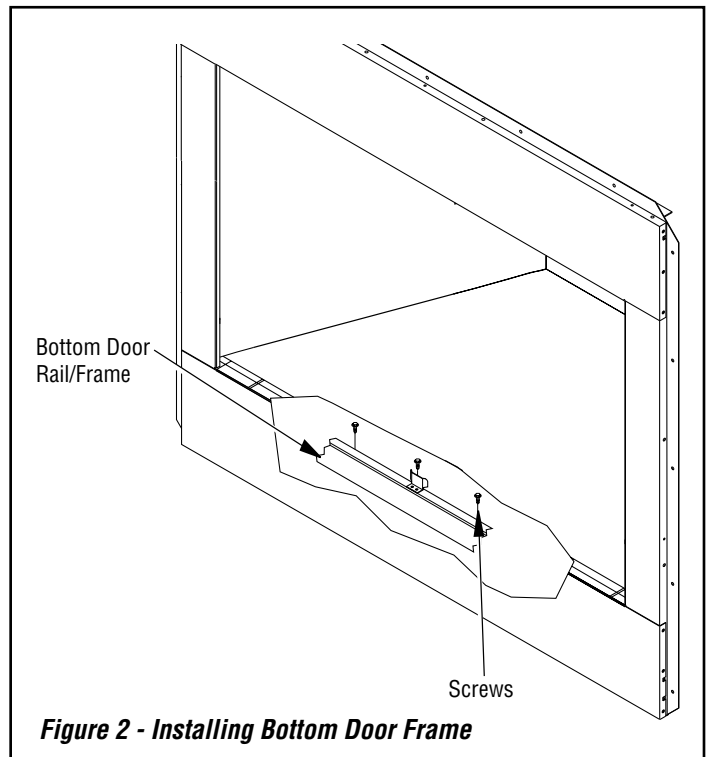
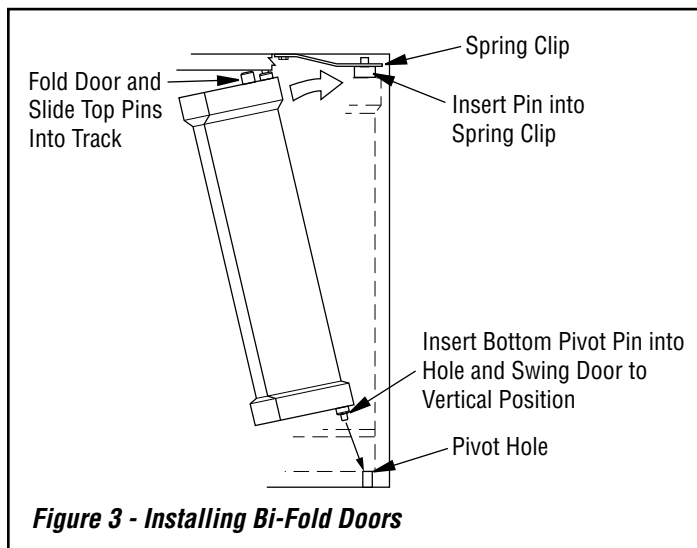


Figure 2 - Installing Bottom Door Frame

INSTALLING GLASS DOORS

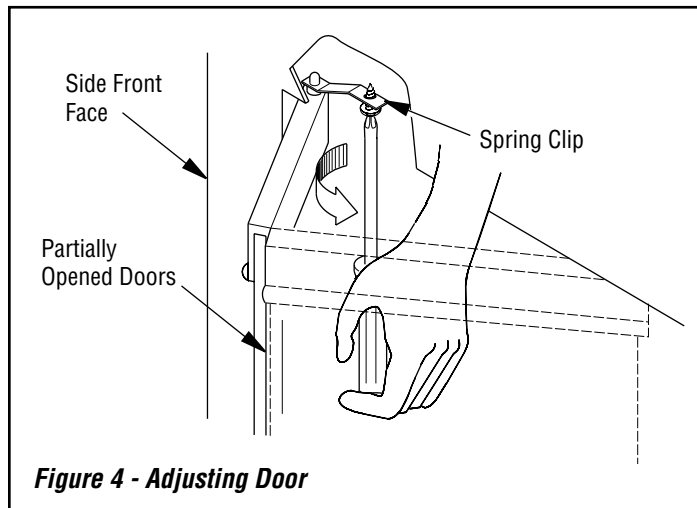
Spring clips have been installed but minor adjustments may still be needed. If the doors do not close properly or do not appear straight, see *Door Adjustment*.

1. With bi-fold door completely folded, insert bottom pivot pin into hole located at bottom corner of bottom door frame as shown in *Figure 3*.
2. Swing door to vertical position and make sure top pins slide into door track. Door pin should snap onto the clip when vertical.
3. Repeat for other door.



DOOR ADJUSTMENT

Remove doors and slightly loosen upper spring clips. Replace and fully close doors. Use 1/8" shims to level doors. Once proper setting is achieved, carefully open doors enough to access pivot and spring clips with a phillips screwdriver. Tighten screws (see *Figure 4*).



IHP reserves the right to make changes at any time, without notice, in design, materials, specifications, prices and also to discontinue colors, styles and products. Consult your local distributor for fireplace code information.