

BK3 TRIPLE FAN BLOWER SYSTEM

[FOR USE WITH MODELS CRAFTSMAN36/42, WRT3036/42, WCT3036/42, WRT2036/42, WCT2036/42]

KIT CONTENTS

- 1 ea. Triple Fan Assembly
- 1 ea. Hardware Bag
- 1 ea. Instruction Sheet



Cat. No.	Model	Description
F1083	BK3	BK3 Triple Fan Blower System

REQUIRED TOOLS AND SUPPLIES

- #2 Short Phillips Screwdriver

GENERAL INFORMATION

The model BK3 blower system (shown in *Figure 5, Page 2*) can be installed in any existing circulating model wood burning or unvented firebox having a pre-wired 120 VAC duplex power receptacle.

READ ALL THE STEPS BEFORE STARTING THE INSTALLATION THE FIREPLACE MUST BE OFF AND COLD BEFORE BEGINNING.

ALL WARNINGS, PRECAUTIONS AND INSTRUCTIONS IN THE INSTALLATION AND OPERATION MANUAL PROVIDED WITH THE APPLIANCE APPLY TO THESE INSTRUCTIONS.

If you encounter any problems, need clarification of these instructions or are not qualified to properly install this kit, contact you local distributor or dealer.

If any of these parts are missing or damaged, contact your dealer or IHP.us.com for referral information.

! CAUTION

Verify proper operation after servicing.

! CAUTION

Turn off gas supply, disconnect electric circuit and allow appliance to fully cool down before performing this installation. Glass and refractory panels may be heavy for some individuals. If this is the case, please request help.

NOTICE

If a log set is installed in the firebox, disconnect log set from gas supply and remove from firebox. Contact a qualified service person to do this.

ACCESSING BLOWER COMPARTMENT/INSTALLATION

STEP 1

1. Remove glass doors (if equipped) by following the instructions shown in *Figure 1*.

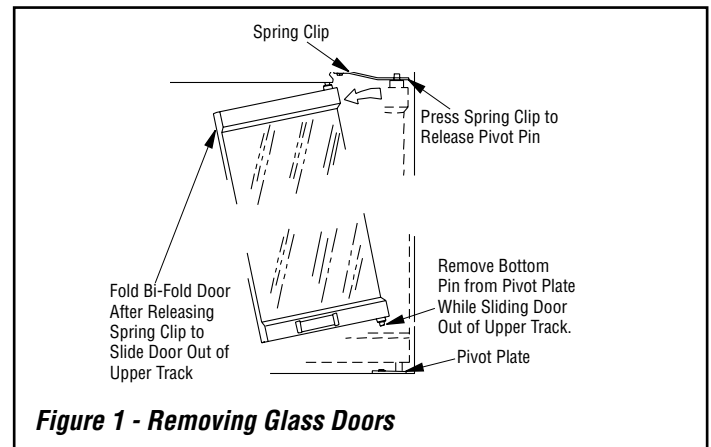


Figure 1 - Removing Glass Doors

STEP 2

YOUR UNIT COULD HAVE EITHER A 1 PIECE OR A 2 PIECE HEARTH BOTTOM REFRACTORY PANEL. INSTRUCTIONS FOR REMOVAL ARE:

UNIT WITH 2 PIECE HEARTH BOTTOM REFRACTORY PANELS

1. Remove hearth bottom refractory access panel by lifting up and angling out through fireplace opening. See *Figure 2*.
2. Remove control access cover panel.
3. Remove lower louver panel (if installed, in face) by gently pushing out panel from inside mounting frame. If not installed, place blower into position through control access hole.
4. Remove knockout plug from lower louver panel. See *Figure 2*.

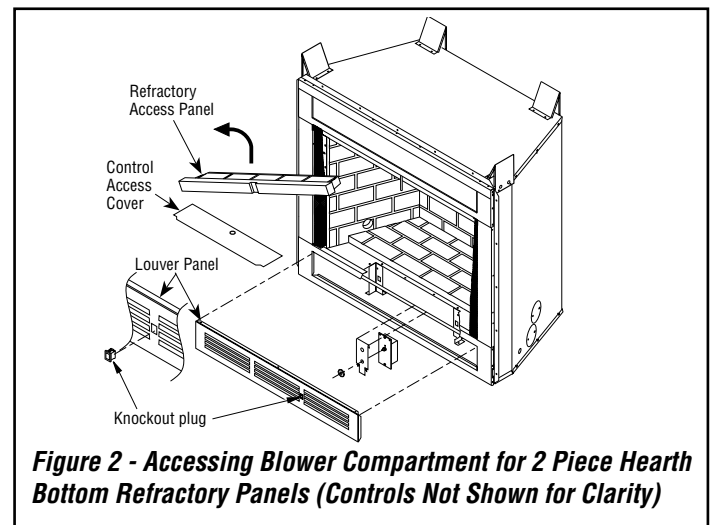


Figure 2 - Accessing Blower Compartment for 2 Piece Hearth Bottom Refractory Panels (Controls Not Shown for Clarity)

ACCESSING BLOWER COMPARTMENT/INSTALLATION *Continued*

STEP 2 *Continued*

UNIT WITH 1 PIECE HEARTH BOTTOM REFRACTORY PANEL

LOCATING ACCESS PANEL

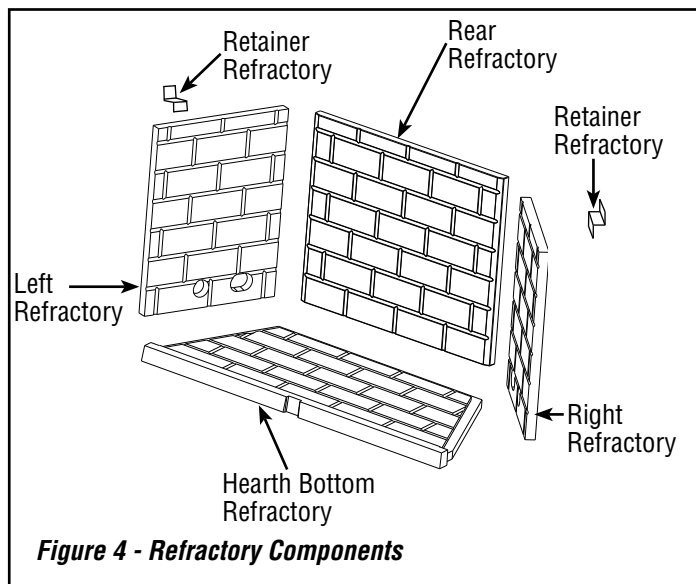
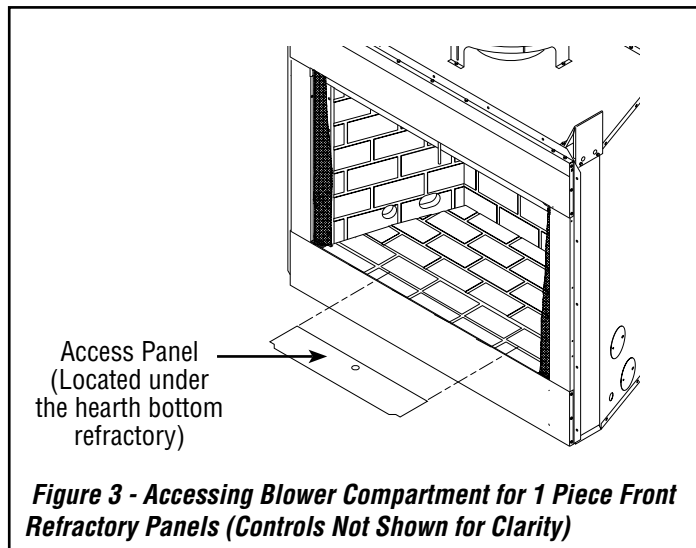
Should access to the lower compartment in the bottom of the fireplace be needed, an access panel is provided. See **Figure 3**.

To locate the Access Panel: Removal of both the right and left side refractories and rear refractory are required before removal of the hearth (bottom) refractory. See **Figure 3**.

For identification of refractory components. **See Figure 4.**

Steps to remove right and left side refractories, rear refractory and hearth (bottom) refractory.

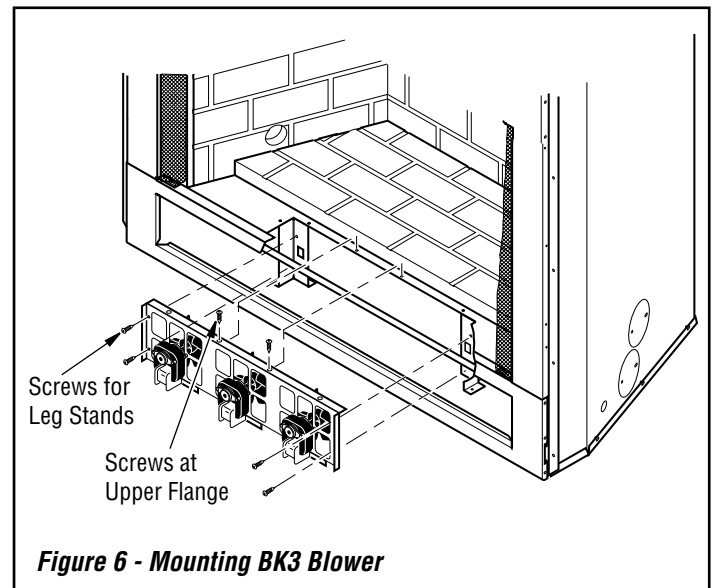
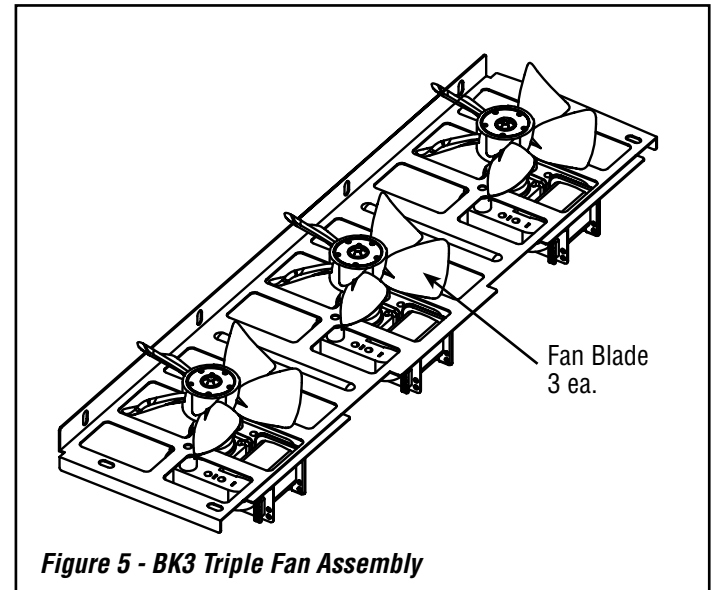
1. Remove two (2) refractory retainers.
2. Remove right and left side refractory panels. Be sure to brace rear refractory when removing whichever side, right or left, that is removed last in order to ensure that rear refractory is stable.
3. Remove the rear refractory panel.
4. Remove the **hearth** bottom refractory panel.



STEP 3

1. Place fan assembly (see **Figure 5**) with blades pointing towards rear of fireplace and in between two leg stands. See **Figure 6**.
2. Using 2 of the screws provided, fasten upper flange of blower bracket to hearth pan. Fasten end flanges to leg stands with remaining 4 screws. See **Figure 6**.

NOTE: Wire assembly must be arranged in front and away from the fan blades to reach power receptacle plug freely.



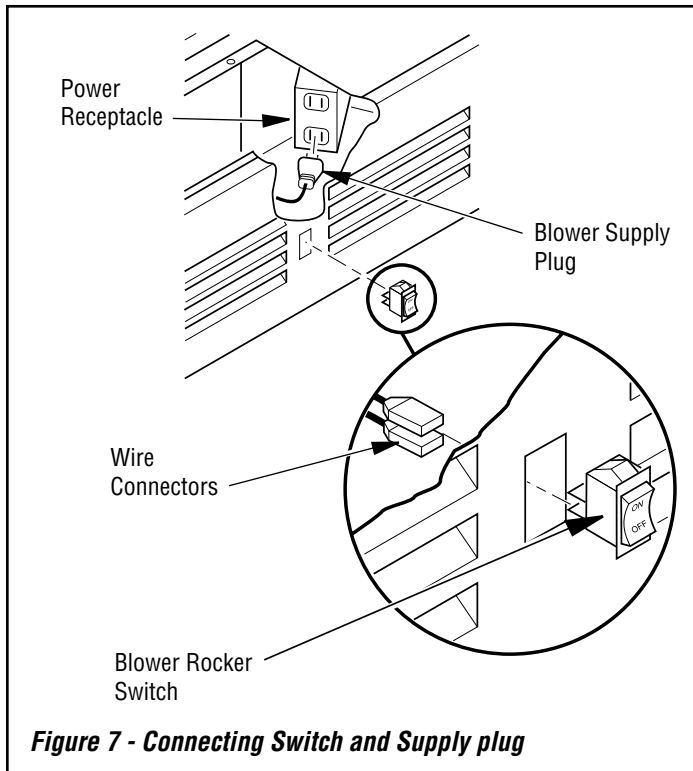
ACCESSING BLOWER COMPARTMENT/INSTALLATION *Continued*

STEP 4

MOUNTING AND CONNECTING SWITCH

1. Remove 2 connectors from ON/OFF rocker switch located on wiring harness. See **Figure 7**.
2. Insert rocker switch into lower louver panel with switch lever pointing outward.
3. Reconnect previously removed wire connectors onto switch terminals.
4. Insert supply plug into one of the available power receptacles at the right side of compartment. See **Figure 7**.

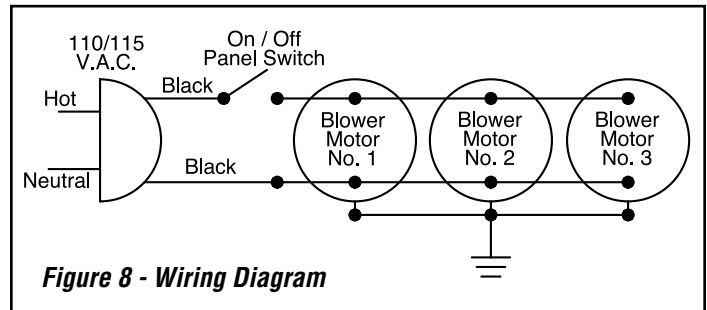
IMPORTANT: Be sure to inspect components and wiring for damage before restoring power to appliance. If damaged, contact an authorized dealer for original replacement part(s) or IHP.us.com for referral information.



STEP 5

COMPLETING INSTALLATION

1. Reinstall louver panel (if equipped) into frame opening with louvers pointing upward.
2. Apply wiring diagram label (shown in **Figure 8** to control cover access panel and replace control cover access panel back over compartment opening.
3. Reinstall front refractory panel(s) and glass door in reverse order (see **Steps 1 and 2 on Pages 1 and 2**).
4. To operate, turn rocker switch to the ON position.



Innovative Hearth Products reserves the right to make changes at any time, without notice, in design, materials, specifications, prices and also to discontinue colors, styles and products. Consult your local distributor for fireplace code information.

Printed in U.S.A. © 2014 Innovative Hearth Products
P/N 127163-01-01 Rev. D 04/2024



1769 East Lawrence Street • Russellville, AL 35654