

# GEORGIAN

WOOD BURNING FIREPLACES





Georgian fireplace with Warm Red Full Herringbone Mosaic Masonry™ brick

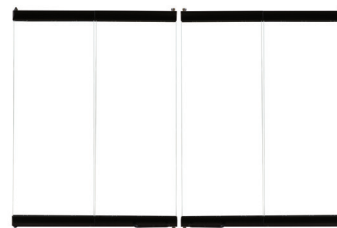
Designed for large living spaces, Georgian series fireplaces feature a full brick to face design with no visible smoke shelf for a classic masonry fireplace appearance. Interior liner options include a choice of Mosaic Masonry kiln-fired firebrick liners or Estate Panel poured refractory liners in a variety of designer colors and stacked or herringbone patterns. When only an authentic masonry look will do, the Georgian delivers.

## STANDARD FEATURES

- ◆ Available in 36", 42" and 50" models
- ◆ Massive smoke dome with no visible smoke shelf for reliable operation
- ◆ Fully insulated firebox for increased performance in colder climates
- ◆ Mosaic Masonry Firebrick or Estate Refractory Panels available in a variety of patterns and colors with integrated ash lip (one required)
- ◆ Heavy duty steel grate with rugged forged andirons
- ◆ Easy access damper control
- ◆ Includes mesh fire screens
- ◆ Optional glass doors available in black trim finish for improved safety
- ◆ Optional gas log sets deliver the charm of a wood fire with the convenience of gas
- ◆ Dual (left hand/right hand) outside air kits available for maximum performance
- ◆ Durable textured powder coat finish
- ◆ Uses IHP 12DM or 12HT (required for Canada) chimney system
- ◆ 20 Year Limited Warranty

## Options

### Glass Doors



Bifold Glass Doors  
in Black Trim Finish

### Gas Log Sets



Southern Comfort



Shady Hollow



Peakside Timber



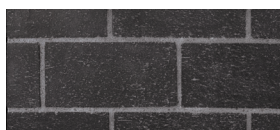
Ironwood Ridge

## MOSAIC MASONRY FIREBRICK LINERS

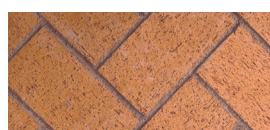
Mosaic Masonry liners are constructed with true kiln-fired firebricks and mortared joints for a classic masonry fireplace appearance. Offered in a variety of solid colors in full stacked, full herringbone, split stacked and split herringbone patterns.



*Midnight Full Herringbone*



*Midnight Full Stacked*



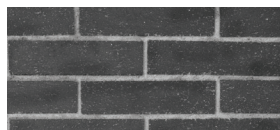
*Warm Red Full Herringbone*



*Warm Red Full Stacked*



*Midnight Split Herringbone*



*Midnight Split Stacked*



*Warm Red Split Herringbone*



*Warm Red Split Stacked*



*Slate Grey Full Herringbone*



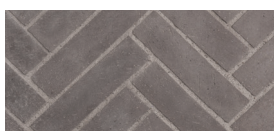
*Slate Grey Full Stacked*



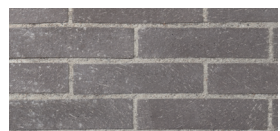
*Ivory Full Herringbone*



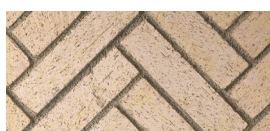
*Ivory Full Stacked*



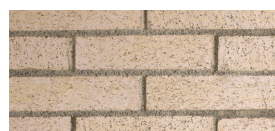
*Slate Grey Split Herringbone*



*Slate Grey Split Stacked*



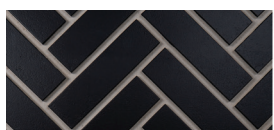
*Ivory Split Herringbone*



*Ivory Split Stacked*

## ESTATE PANEL REFRACTORY LINERS

Estate Panel liners are solid poured refractory panels that are 27% thicker than standard refractory panels, allowing for accentuated grout joints. Available in several designer color options with grey grout joints in full stacked or split herringbone patterns.



*Black Herringbone*



*Black Stacked*



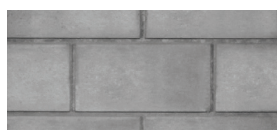
*Cappuccino Herringbone*



*Cappuccino Stacked*



*Grey Herringbone*



*Grey Stacked*



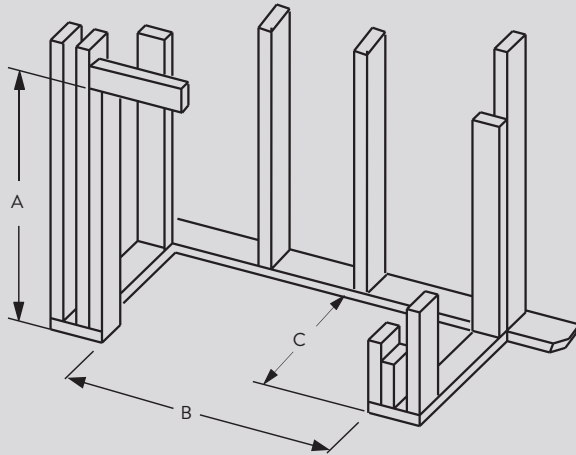
*Creamer Herringbone*



*Creamer Stacked*

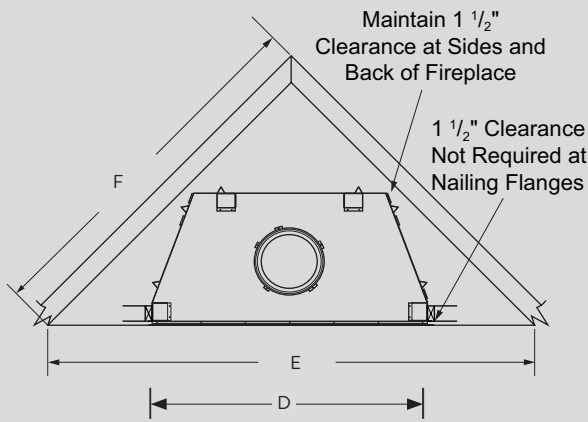
Fireplace interior liner samples, images, descriptions, and specifications are for reference only. Actual color and finish may vary due to natural materials, manufacturing processes, and digital display differences.

## FLAT WALL FRAMING SPECIFICATIONS



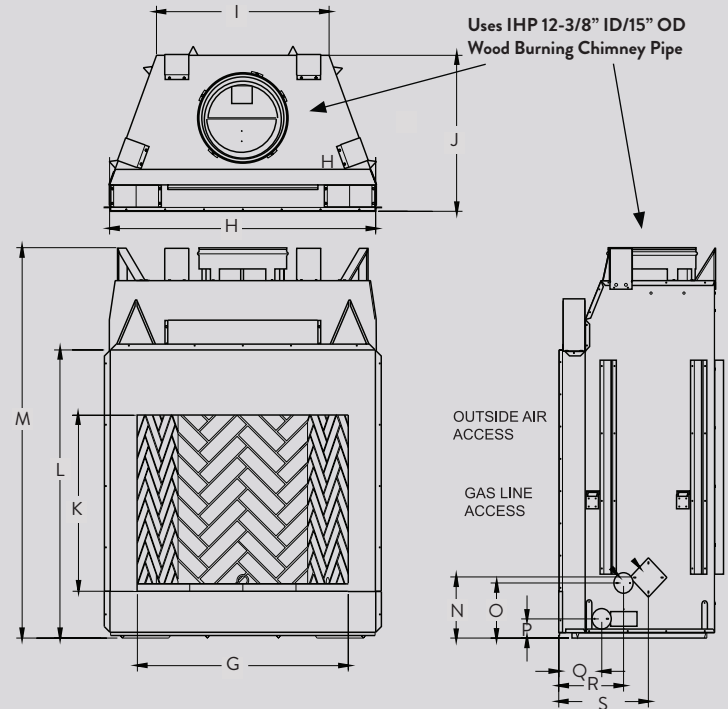
	GEORGIAN 36	GEORGIAN 42	GEORGIAN 50
A	67-1/8"	67-1/8"	67-1/8"
B	45-1/4"	51-1/4"	59-1/4"
C	28-1/4"	30-1/8"	30-1/8"

## CORNER FRAMING SPECIFICATIONS



	GEORGIAN 36	GEORGIAN 42	GEORGIAN 50
D	45-1/4"	51-1/4"	59-1/4"
E	86-1/2"	92"	100"
F	61"	65"	71"

## APPLIANCE SPECIFICATIONS



	GEORGIAN 36	GEORGIAN 42	GEORGIAN 50
G	36"	42"	50"
H	45-1/8"	51-1/8"	59"
I	29"	30-1/2"	38-1/2"
J	26-5/8"	29"	28-1/2"
K	30"	30"	30"
L	49"	49"	49"
M	67"	67"	67"
N	10-1/2"	10-1/2"	10-1/2"
O	9-1/2"	9-1/2"	9-1/2"
P	3-1/2"	3-1/2"	3-1/2"
Q	7-1/4"	8-1/2"	8-1/2"
R	11"	13"	13"
S	15-1/4"	17"	17"

### IMPORTANT NOTES:

As with any fireplace, this appliance is extremely hot during operation. Read and understand all operating instructions before using this appliance. For further information, consult your dealer.

Local conditions, such as elevation, wind, vent configuration and choice of fuel will affect overall appearance of the fire and heating performance. Performance can also vary with home design and insulation, climate, condition and type of fuel used, appliance location, burn rate, accessories chosen, chimney installation and how the appliance is operated.

DIAGRAMS, ILLUSTRATIONS AND PHOTOGRAPHS ARE NOT TO SCALE—CONSULT INSTALLATION INSTRUCTIONS. PRODUCT DESIGNS, MATERIALS, DIMENSIONS, SPECIFICATIONS, COLORS AND PRICES ARE SUBJECT TO CHANGE OR DISCONTINUANCE WITHOUT NOTICE.

astria  
FIREPLACES®

© 2026 Innovative Hearth Products  
785351M 03/26

Visit us online  
Astria.us.com

PFS  
C US  
Report #F09-095

