

# CRAFTSMAN

## WOOD BURNING FIREPLACES



The Craftsman sets a new standard for wood burning beauty, performance, and convenience. Elements of quality and detail such as the realistic textured refractory panels and hidden pockets to tuck the screens out of sight create the setting for a beautiful and inviting centerpiece in your home.

### STANDARD FEATURES

- ◆ Available in 36" and 42" models
- ◆ Radiant smooth-faced or circulating rolled louver models
- ◆ Fully insulated firebox for increased performance in colder climates
- ◆ White stacked refractory panels
- ◆ Heavy duty log grate
- ◆ Optional gas log sets deliver the charm of a wood fire with the convenience of gas
- ◆ Easy access damper control
- ◆ Screens retract into hidden screen pockets
- ◆ Adjustable outside air damper
- ◆ Fan kit available (for circulating models only)
- ◆ Durable textured powder coat finish
- ◆ Uses IHP 8DM or 8HT (required for Canada) chimney system
- ◆ 20 Year Limited Warranty

### INTERIOR (Required)



White Stacked



Chestnut Hill



Chestnut Hill HD



Blonde Oak



Bison Mountain



Rich Oak



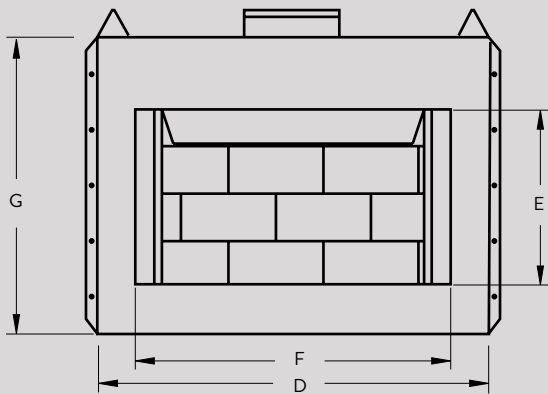
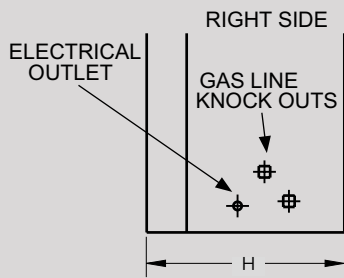
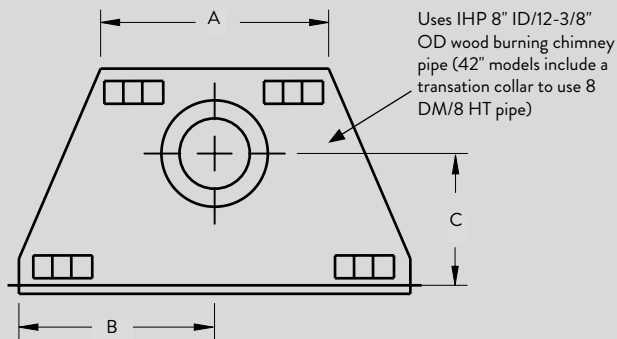
Western Timber

### Options

#### GAS LOG SETS

## APPLIANCE SPECIFICATIONS

## FLAT WALL FRAMING SPECIFICATIONS

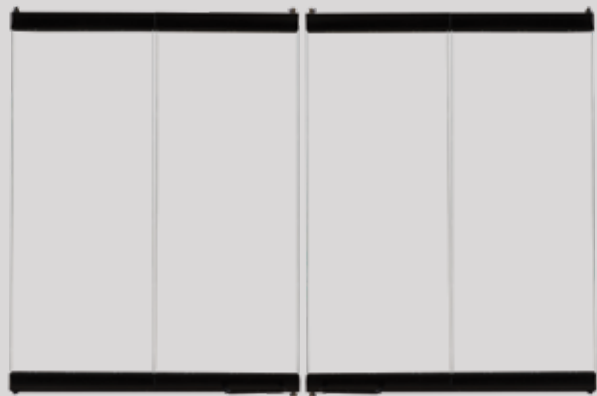


	CRAFTSMAN 36	CRAFTSMAN 42
A	29"	36"
B	20-1/2"	24"
C	11-3/4"	11-3/4"
D	41"	48"
E	21"	24"
F	35"	42"
G	37"	41"
H	21"	22-1/2"

	CRAFTSMAN 36	CRAFTSMAN 42
WIDTH	41-3/4"	49-3/4"
HEIGHT	41-3/4"	47-1/4"
DEPTH	21-7/8"	23-1/2"

### ADDITIONAL ACCESSORIES

- ◆ BI-FOLD GLASS DOORS
- ◆ OUTSIDE AIR KIT
- ◆ GAS LOGS
- ◆ FAN KIT (LOUVERED MODELS ONLY)



Bi-fold tempered glass doors are expertly crafted.

### INTERIOR FIREBOX DIMENSIONS\*

	CRAFTSMAN 36	CRAFTSMAN 42
FRONT WIDTH	32-1/2"	39"
REAR WIDTH	22"	29-1/2"
DEPTH	14-1/4"	16-1/4"
HEIGHT	21"	24"

\* To assist with compatible log size selection

#### IMPORTANT NOTES:

As with any fireplace, this appliance is extremely hot during operation. Read and understand all operating instructions before using this appliance. For further information, consult your dealer.

Local conditions, such as elevation, wind, vent configuration and choice of fuel will affect overall appearance of the fire and heating performance. Performance can also vary with home design and insulation, climate, condition and type of fuel used, appliance location, burn rate, accessories chosen, chimney installation and how the appliance is operated.

Diagrams, illustrations and photographs are not to scale—consult installation instructions. Product designs, materials, dimensions, specifications, colors and prices are subject to change or discontinuance without notice.

