

ALPHA

VENT-FREE GAS FIREPLACE SYSTEMS





*Alpha fireplace with radiant face design
and Vintage Ceramic Fiber Liner*

The **Alpha** Series fireplaces will be a showpiece in any setting. The Alpha is a full-sized fireplace system complete with zero-clearance firebox, gas log set with electronic ignition, concealed controls and remote control. Available in 32" & 36" models, the Alpha allows you to enjoy the realism of full size Boulder Mountain logs and glowing coals featuring outstanding log aesthetics. Standard features include a radiant face, Vintage Ceramic Fiber Liners and a blower for greater heat distribution.

Options

PERIMETER TRIM

Choose from two trim finishes to accent the fireplace.



Black



Platinum

Standard

INTERIOR

Vintage Ceramic Fiber Liner comes standard



Vintage Ceramic Fiber Liner (standard)

REMOTE CONTROLS



RCKIT4001 On/Off Remote Receiver Wall Plate Kit



TRC T'stat On/Off Remote Kit

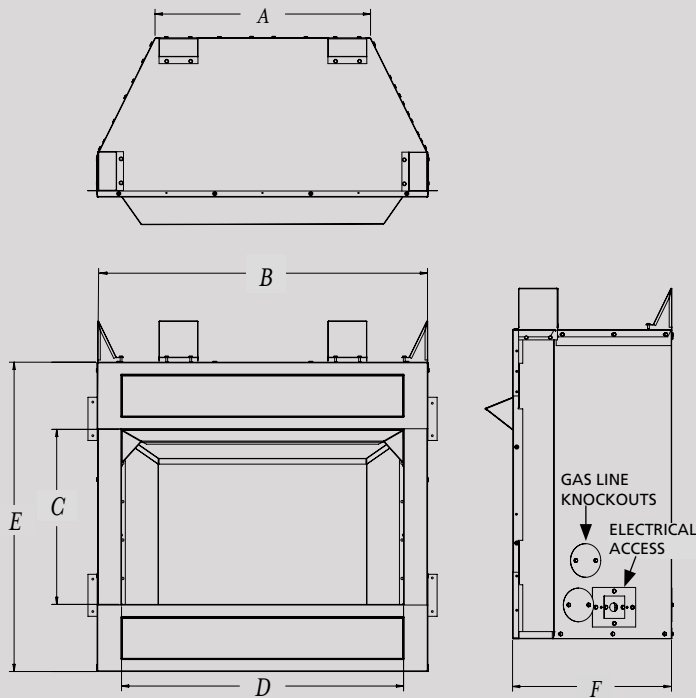


TSRC Receiver Touch Screen Remote Kit (Included with Electronic models)

STANDARD FEATURES

- ◆ Available in 32" and 36" models
- ◆ Offered in radiant (clean-face) models with blower
- ◆ Millivolt (remote ready) or electronic (remote included) ignition systems
- ◆ Concrete refractory logs with glowing center ceramic fiber log for added realism
- ◆ Vintage ceramic fiber liners
- ◆ Lifetime Limited Warranty

APPLIANCE SPECIFICATIONS



	ALPHA 32	ALPHA 36
A	22-1/2"	25"
B	34-1/2"	41-1/8"
C	18"	21"
D	29-3/8"	35-1/16"
E	32"	36"
F	16-3/4"	21-3/16"

IMPORTANT NOTES:

As with any heating appliance, fireplace or stove, this appliance is extremely hot during operation. Read and understand all operating instructions before using this appliance. For further information, consult your dealer.

Local conditions, such as elevation and choice of fuel will affect overall appearance of the fire and heating performance. Performance can also vary with home design and insulation, ceiling height, accessories chosen and appliance location.

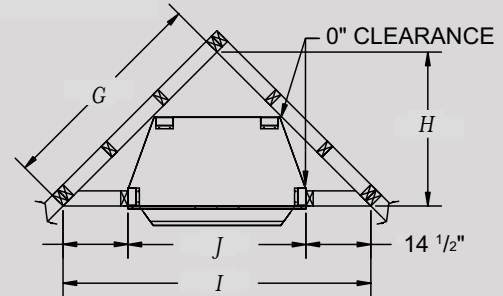
Diagrams, illustrations and photographs are not to scale — consult installation instructions. Product designs, materials, dimensions, specifications, colors and prices are subject to change or discontinuance without notice.

Built to ANSI Z21.11.2 standard and approved by PFS Test Laboratories. Consult your distributor for local fireplace code information.

FLAT WALL FRAMING SPECIFICATIONS

	ALPHA 32	ALPHA 36
WIDTH	34-7/8"	41-1/2"
HEIGHT	36-3/4"	40-1/2"
DEPTH	16-1/4"	20-3/4"

CORNER FRAMING SPECIFICATIONS



	ALPHA 32	ALPHA 36
G	39-3/8"	50-3/8"
H	27-3/4"	35-3/8"
I	55-5/8"	71-1/4"
J	34-1/2"	41-1/2"

FIREPLACE EFFICIENCIES

MODEL	FUEL	BTU/HR	AFUE*
ALPHA 32 MILLIVOLT	NG	17,000-25,000	99.9%
ALPHA 32 MILLIVOLT	LP	17,000-25,000	99.9%
ALPHA 36 MILLIVOLT	NG	20,000-33,000	99.9%
ALPHA 36 MILLIVOLT	LP	20,000-33,000	99.9%
ALPHA 32 ELECTRONIC	NG	20,000-25,000	99.9%
ALPHA 32 ELECTRONIC	LP	20,000-25,000	99.9%
ALPHA 36 ELECTRONIC	NG	22,000-33,000	99.9%
ALPHA 36 ELECTRONIC	LP	22,000-33,000	99.9%

*Annual Fuel Utilization Efficiency (AFUE) is the recognized U.S. rating system for the total efficiency of heating products.

astria
FIREPLACES®

© 2019 Innovative Hearth Products

785427M 11/19

Visit us online
Astria.us.com

PFS[®] US
NFI
Report #F12-047