

Superior
FIREPLACES®
Our name is our promise.



Designed for large custom applications, the VRT6000 Series vent-free gas firebox features a 30" tall opening and beautiful Mosaic Masonry kiln-fired firebrick liners in a variety of designer colors and stacked or herringbone patterns. Combined with vent-free gas logs, the VRT6000 delivers an authentic masonry look and efficient comfort.



FEATURED VRT6042 with Warm Red Herringbone Mosaic Masonry™ firebrick and Giant Timbers Gas Log Set (sold separately)

EXCLUSIVE FEATURES

- 🔥 Available in 36", 42" and 50" models
- 🔥 30" tall and full brick to-face-design opening on all models.
- 🔥 Fully insulated firebox for increased performance in colder climates
- 🔥 Mosaic Masonry Firebrick available in a variety of patterns and colors with integrated ash lip (one required)
- 🔥 Includes mesh fire screens
- 🔥 Durable textured powder coat finish
- 🔥 Select from a variety of compatible vent-free log sets and controls (sold separately)
- 🔥 Easy-access gas line knockouts on both sides for quick and simple installation.
- 🔥 Dual (left hand/right hand) outside air kits available for maximum performance
- 🔥 20 Year Limited Warranty

Compatible with any listed ANSI Z21.11.2 vent-free gas log set. Choose a Superior vent-free gas log set for best results.

MOSAIC MASONRY FIREBRICK LINERS

Mosaic Masonry liners are constructed with true kiln-fired firebricks and mortared joints for a classic masonry fireplace appearance. Offered in a variety of solid colors in full stacked, full herringbone, split stacked and split herringbone patterns.



INTERIOR OPTIONS



Midnight Full Herringbone



Midnight Full Stacked



Warm Red Full Herringbone



Warm Red Full Stacked



Midnight Split Herringbone



Midnight Split Stacked



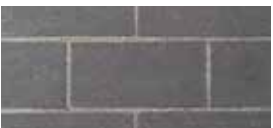
Warm Red Split Herringbone



Warm Red Split Stacked



Slate Grey Full Herringbone



Slate Grey Full Stacked



Ivory Full Herringbone



Ivory Full Stacked



Slate Grey Split Herringbone



Slate Grey Split Stacked



Ivory Split Herringbone



Ivory Split Stacked

COMPATIBLE VENT-FREE GAS LOG SETS



Boulder Mountain



Wild Timber



Rugged Stack

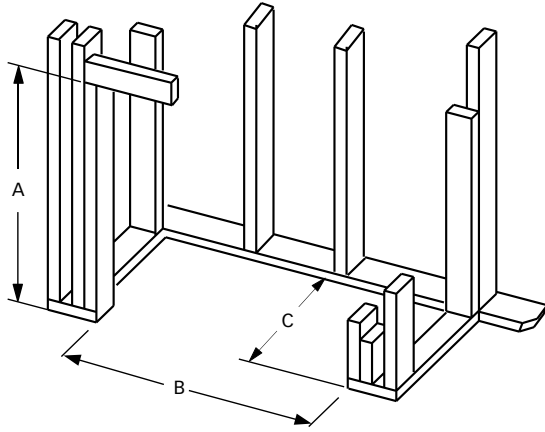


Mossy Oak



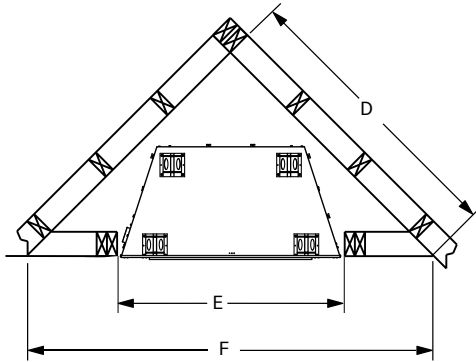
Giant Timbers

FLAT WALL FRAMING SPECIFICATIONS



	VRT6036	VRT6042	VRT6050
A	54-5/8"	54-5/8"	54-5/8"
B	45-3/8"	51-3/8"	59-3/8"
C	28-1/4"	30-1/8"	30-1/8"

CORNER FRAMING SPECIFICATIONS



	VRT6036	VRT6042	VRT6050
D	61"	65"	71"
E	45-3/8"	51-3/8"	59-3/8"
F	86-1/2"	92"	100"

On the Cover: VRT6042 shown with Ivory Herringbone brick

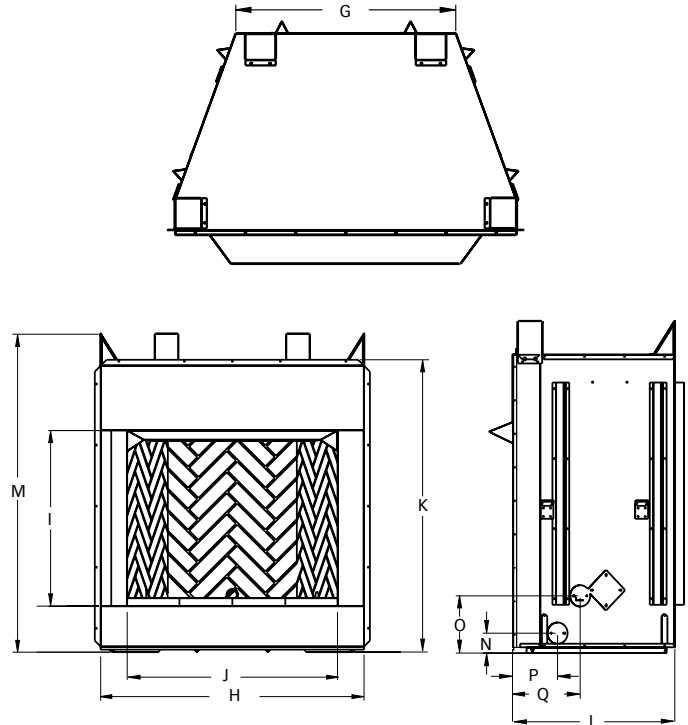
IMPORTANT NOTES:

As with any fireplace, this appliance is extremely hot during operation. Read and understand all operating instructions before using this appliance. For further information, consult your dealer.

Local conditions, such as elevation and choice of fuel will affect overall appearance of the fire and heating performance. Performance can also vary with home design and insulation, ceiling height, accessories chosen and appliance location.

Diagrams, illustrations and photographs are not to scale — consult installation instructions. Product designs, materials, dimensions, specifications, colors and prices are subject to change or discontinuance without notice.

APPLIANCE SPECIFICATIONS



	VRT6036	VRT6042	VRT6050
G	29"	30-5/16"	38-5/16"
H	45-1/8"	51-1/8"	59"
I	30"	30"	30"
J	36"	42"	50"
K	49"	49"	49"
L	28"	30"	30"
M	54-1/2"	54-1/2"	54-1/2"
N	3-5/16"	3-5/16"	3-5/16"
O	9-7/16"	9-7/16"	9-7/16"
P	7-3/8"	8-3/4"	8-3/4"
Q	11-1/8"	13"	13"

INTERIOR FIREBOX DIMENSIONS*

	VRT6036	VRT6042	VRT6050
FRONT WIDTH	36"	42"	50"
REAR WIDTH	22 1/2"	26 3/8"	34 3/8"
DEPTH	19"	21 3/4"	21 3/4"
HEIGHT	30"	30"	30"

* To assist with compatible log size selection



© 2025 Innovative Hearth Products

785445M 03/25

Visit us online
SuperiorFireplaces.us.com



Report #F09-130