



This universal vent-free firebox offers a 28" tall opening for an unobstructed view that complements current trends in home design.

FEATURES

- 🔥 Available in 36" and 42" radiant smooth-faced model
- 🔥 28" tall and full width refractory opening on all models
- 🔥 Available with stacked or herringbone refractory panels
- 🔥 Optional heat deflection hood (not required)
- 🔥 Includes mesh fire screens
- 🔥 Durable textured powder coat finish
- 🔥 Select from a variety of compatible vent-free log sets and controls (sold separately)
- 🔥 Optional outside air kit
- 🔥 Optional blower
- 🔥 20 year limited warranty

Compatible with any listed ANSI Z21.11.2 vent-free log set. Choose a Superior vent-free log set for best results.

INTERIOR OPTIONS



Stacked



Herringbone

COMPATIBLE VENT-FREE GAS LOG SETS



Boulder Mountain



Wild Timber



Rugged Stack

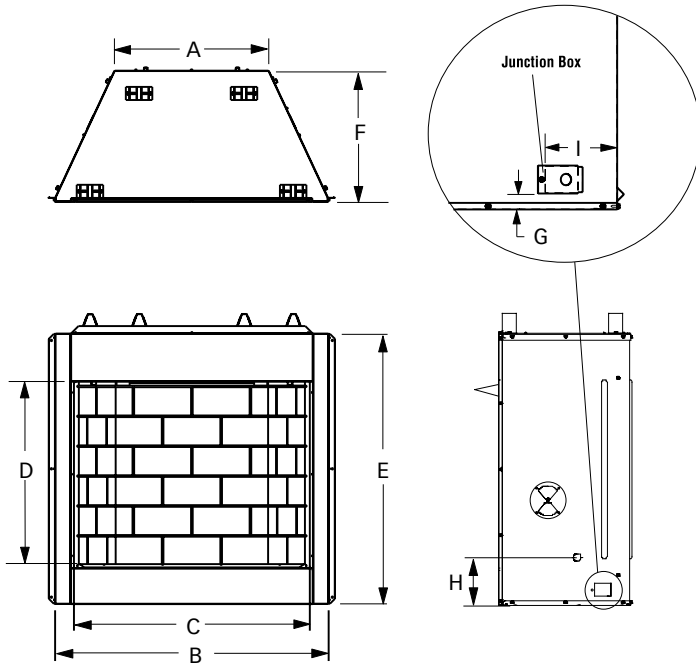


Giant Timbers



Mossy Oak

APPLIANCE SPECIFICATIONS



OPTIONAL ACCESSORIES



- Decorative twin pane screen door
- Blower kits
- Outside air kits

FRAMING SPECIFICATIONS

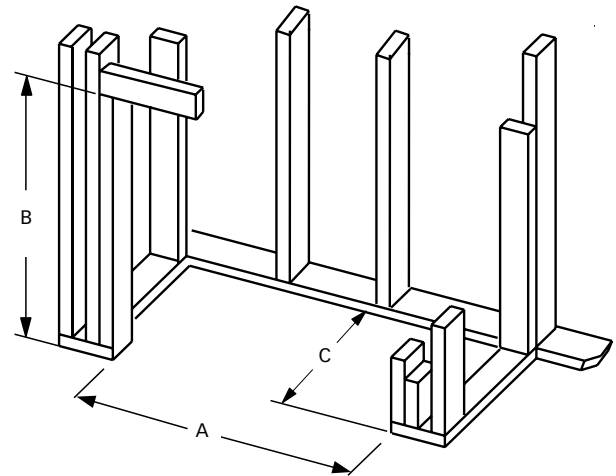
	VRT3536	VRT3542
A	23-1/2"	29-1/2"
B	41-3/4"	47-3/4"
C	36"	42"
D	28"	28"
E	41-1/4"	41-1/4"
F	20"	20"
G	1-5/16"	1-5/16"
H	8-3/8"	8-3/8"
I	5-1/2"	5-1/2"

	VRT3536	VRT3542
A	42-1/4"	48-1/4"
B	44-1/4"	44-1/4"
C	20-1/2"	20-1/2"

INTERIOR FIREBOX DIMENSIONS*

	VRT3536	VRT3142
FRONT WIDTH	35"	41"
REAR WIDTH	23-1/4"	29-1/4"
DEPTH	17-3/8"	17-3/8"
HEIGHT	28"	28"

* To assist with compatible log size selection



IMPORTANT NOTES:

As with any fireplace, this appliance is extremely hot during operation. Read and understand all operating instructions before using this appliance. For further information, consult your dealer.

Local conditions, such as elevation, wind, vent configuration and choice of fuel will affect overall appearance of the fire and heating performance. Performance can also vary with home design and insulation, climate, condition and type of fuel used, appliance location, burn rate, accessories chosen, chimney installation and how the appliance is operated.

Diagrams, illustrations and photographs are not to scale—consult installation instructions. Product designs, materials, dimensions, specifications, colors and prices are subject to change or discontinuance without notice.



© 2023 Innovative Hearth Products

785450M 09/23

Visit us online
SuperiorFireplaces.us.com

