

OUTDOOR: **WOOD BURNING FIREPLACES**

WRE4500 SERIES

Superior
FIREPLACES®
Our name is our promise.



"Captivating" is the only way to describe these massive wood burners. Designed for large outdoor applications, the WRE4500 Custom Series fireplaces feature a 30" tall opening and beautiful refractory panels for a realistic appearance in long lasting stainless steel construction.



FEATURED WRE4542 fireplace with Herringbone Refractory Panels

EXCLUSIVE FEATURES

- 🔥 Available in 36", 42" and 50" models
- 🔥 Massive smoke dome with no visible smoke shelf for reliable operation
- 🔥 Fully insulated firebox for increased performance in colder climates
- 🔥 Refractory panels in two patterns with integrated ash lip
- 🔥 Heavy duty stainless steel log grate
- 🔥 Easy access damper control
- 🔥 Includes stainless steel mesh fire screens
- 🔥 Optional glass doors available in black trim for improved safety
- 🔥 Optional gas log sets deliver the charm of a wood fire with the convenience of gas
- 🔥 Dual (left hand/right hand) outside air kits available for maximum performance
- 🔥 Stainless steel construction for long lasting outdoor use
- 🔥 Uses IHP 12DM or 12HT (required for Canada) chimney system
- 🔥 20 year limited warranty



WRT4542 fireplace and its large heavy duty log grate and rugged forged andirons

INTERIOR

(Required)

Choose from stacked or herringbone patterns.



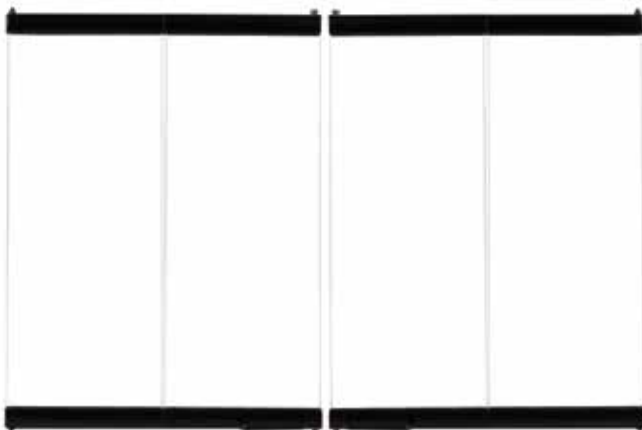
Stacked



Herringbone

OPTIONS

Glass Doors



Bi-fold glass doors in black trim finish

Gas Log Sets

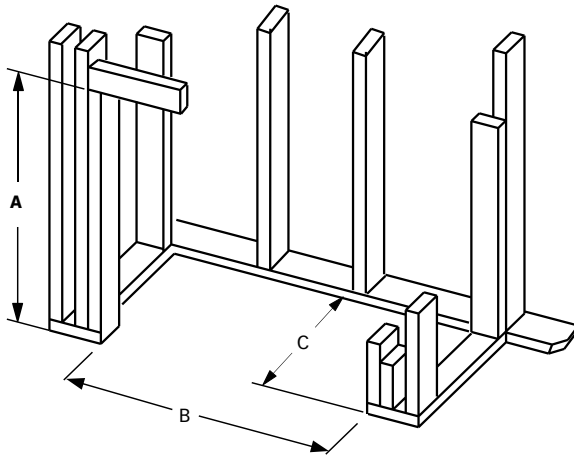


Mossy Oak OD



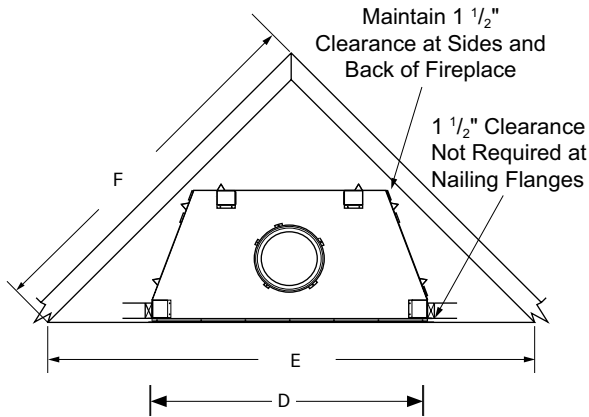
Giant Timbers OD

FLAT WALL FRAMING SPECIFICATIONS



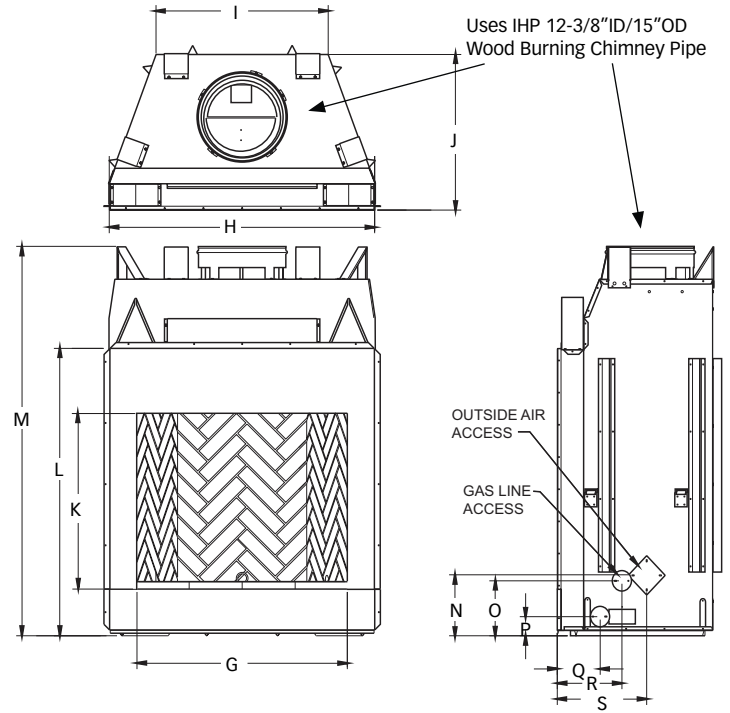
	WRE4536	WRE4542	WRE4550
A	67-1/8"	67-1/8"	67-1/8"
B	45-1/4"	51-1/4"	59-1/4"
C	28-1/4"	30-1/8"	30-1/8"

CORNER FRAMING SPECIFICATIONS



	WRE4536	WRE4542	WRE4550
D	45-1/4"	51-1/4"	59-1/4"
E	86-1/2"	92"	100"
F	61"	65"	71"

APPLIANCE SPECIFICATIONS



	WRE4536	WRE4542	WRE4550
G	36"	42"	50"
H	45-1/8"	51-1/8"	59"
I	29"	30-1/2"	38-1/2"
J	26-5/8"	29"	28-1/2"
K	30"	30"	30"
L	49"	49"	49"
M	67"	67"	67"
N	10-1/2"	10-1/2"	10-1/2"
O	9-1/2"	9-1/2"	9-1/2"
P	3-1/2"	3-1/2"	3-1/2"
Q	7-1/4"	8-1/2"	8-1/2"
R	11"	13"	13"
S	15-1/4"	17"	17"

IMPORTANT NOTES:

As with any fireplace, this appliance is extremely hot during operation. Read and understand all operating instructions before using this appliance. For further information, consult your dealer.

Local conditions, such as elevation, wind, vent configuration and choice of fuel will affect overall appearance of the fire and heating performance. Performance can also vary with home design and insulation, climate, condition and type of fuel used, appliance location, burn rate, accessories chosen, chimney installation and how the appliance is operated.

Diagrams, illustrations and photographs are not to scale—consult installation instructions. Product designs, materials, dimensions, specifications, colors and prices are subject to change or discontinuance without notice.



© 2026 Innovative Hearth Products
785471M 03/26

Visit us online
SuperiorFireplaces.us.com



Report #F09-095

On The Cover WRE4542 with Herringbone Refractory Panels