

OUTDOOR: VENT-FREE GAS FIREBOXES

VRE4500 SERIES

Superior
FIREPLACES®
Our name is our promise.



“Captivating” is the only way to describe these massive fireboxes. Designed for large outdoor applications, the VRE4500 Custom Series Vent-Free Gas Fireboxes feature a 30” tall opening, long lasting stainless steel construction and beautiful refractory panels for a realistic appearance.



FEATURED VRE4542 with White Stacked Refractory Panels and Giant Timbers OD gas log set (sold separately)

EXCLUSIVE FEATURES

- 🔥 Available in 36", 42", and 50" models
- 🔥 30" tall and full width refractory opening on all models
- 🔥 Fully insulated firebox for increased performance in colder climates
- 🔥 Refractory panels available in two patterns
- 🔥 Includes stainless steel mesh fire screens
- 🔥 Stainless steel construction for long lasting outdoor use
- 🔥 Select from a variety of compatible vent-free log sets and controls (sold separately)
- 🔥 Easy-access gas line knockouts on both sides for quick and simple installation
- 🔥 Dual (left hand/right hand) outside air kits available for maximum performance
- 🔥 20 year limited warranty

Compatible with any listed ANSI Z21.97 outdoor vent-free gas log set. Choose a Superior vent-free gas log set for best results.



FEATURED VRE4542 with White Stacked Refractory Panels and Giant Timbers OD gas log set (sold separately)

INTERIOR PANEL OPTIONS



White Stacked



White Herringbone

COMPATIBLE VENT-FREE GAS LOG SETS

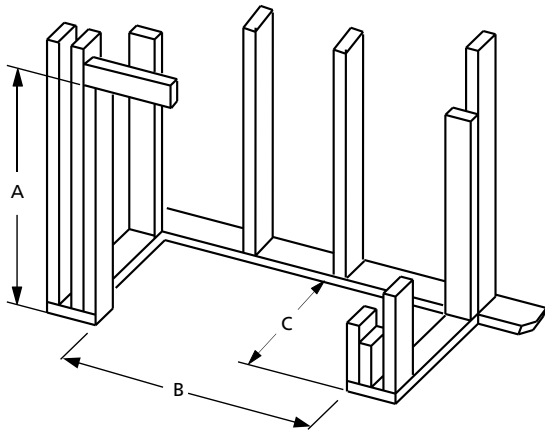


Giant Timbers OD



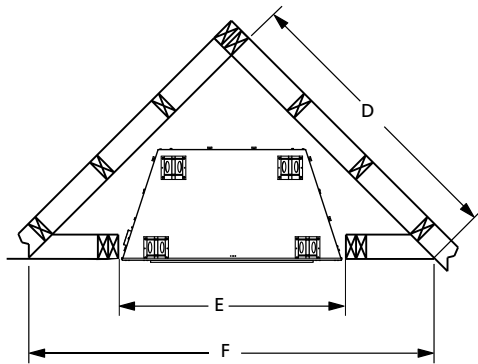
Mossy Oak OD

FLAT WALL FRAMING SPECIFICATIONS



	VRE4536	VRE4542	VRE4550
A	54-5/8"	54-5/8"	54-5/8"
B	45-3/8"	51-3/8"	59-3/8"
C	28-1/4"	30-1/8"	30-1/8"

CORNER FRAMING SPECIFICATIONS



	VRE4536	VRE4542	VRE4550
D	61"	65"	71"
E	45-3/8"	51-3/8"	59-3/8"
F	86-1/2"	92"	100"

On the cover: VRE4542 with White Stacked Refractory Panels

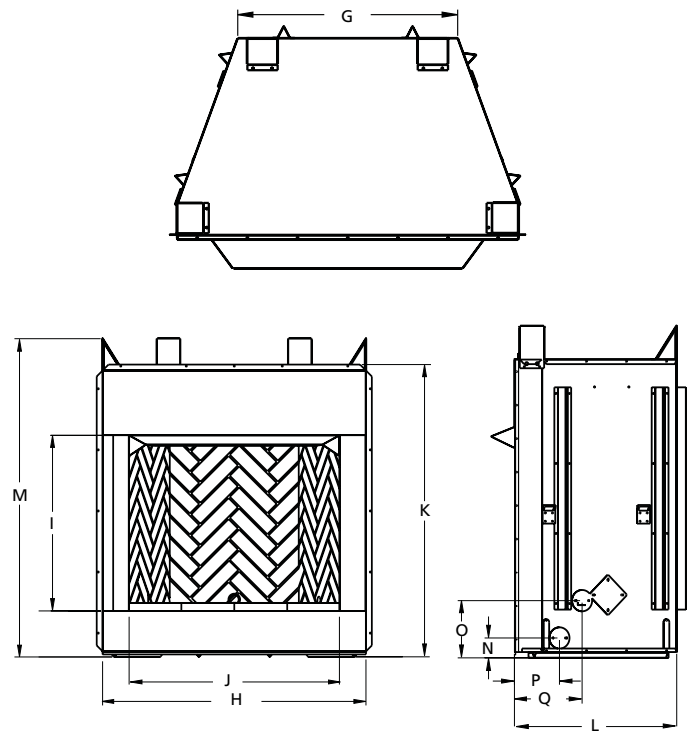
IMPORTANT NOTES:

As with any fireplace, this appliance is extremely hot during operation. Read and understand all operating instructions before using this appliance. For further information, consult your dealer.

Local conditions, such as elevation and choice of fuel will affect overall appearance of the fire and heating performance. Performance can also vary with home design and insulation, ceiling height, accessories chosen and appliance location.

Diagrams, illustrations and photographs are not to scale — consult installation instructions. Product designs, materials, dimensions, specifications, colors and prices are subject to change or discontinuance without notice.

APPLIANCE SPECIFICATIONS



	VRE4536	VRE4542	VRE4550
G	29"	30-5/16"	38-5/16"
H	45-1/8"	51-1/8"	59-1/8"
I	30"	30"	30"
J	36"	42"	50"
K	49"	49"	49"
L	28"	30"	30"
M	54-1/2"	54-1/2"	54-1/2"
N	3-5/16"	3-5/16"	3-5/16"
O	9-7/16"	9-7/16"	9-7/16"
P	7-3/8"	8-3/4"	8-3/4"
Q	11-1/8"	13"	13"

INTERIOR FIREBOX DIMENSIONS*

	VRE4536	VRE4542	VRE4550
FRONT WIDTH	36"	42"	50"
REAR WIDTH	22 1/2"	26 3/8"	34 3/8"
DEPTH	19"	21 3/4"	21 3/4"
HEIGHT	30"	30"	30"

* To assist with compatible log size selection



© 2022 Innovative Hearth Products

785482M 07/22

Visit us online
SuperiorFireplaces.us.com



Report #F09-130