



The DRT2000 Series offers excellent value without compromising on quality or design. These fireplaces offer an array of standard features, increased performance and state of the art technology to ensure many years of beauty and warmth.

FEATURES

- 🔥 Available in 33", 35", 40" and 45" clean-faced models
- 🔥 Dedicated top or rear flue configuration (45" model is a combo top/rear)
- 🔥 Millivolt or electronic ignition with seamless battery backup to provide continued operation in the event of a power outage (IPI/CPI switch standard)
- 🔥 Random, dancing yellow flames
- 🔥 Outstanding heating efficiency for increased comfort and lower operating costs
- 🔥 Standard tempered glass and a protective screen*
- 🔥 Detailed ceramic fiber "aged oak" log set
- 🔥 Black painted interior
- 🔥 Durable textured powder coat finish
- 🔥 Optional blower and remote controls available for all models
- 🔥 20 year limited warranty

*All applicable models comply with ANSI Z21.50/88 barrier requirements.

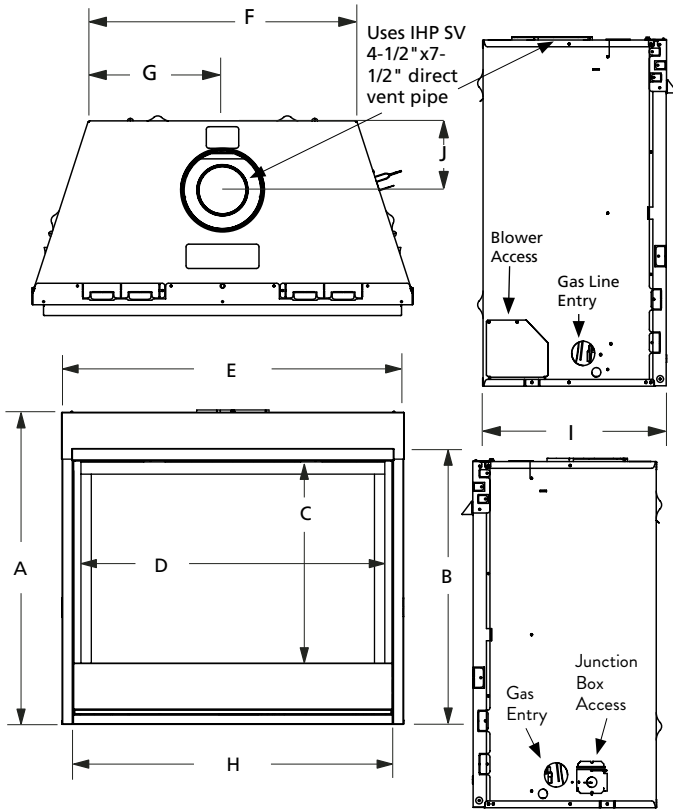
INTERIOR

(Standard)



Black Painted Interior

APPLIANCE SPECIFICATIONS



	DRT2033	DRT2035	DRT2040	DRT2045
A	30-1/8"	32-1/8"	37-1/8"	37-1/8"
B	26-1/4"	28-3/4"	33-1/4"	33-1/4"
C	18-5/16"	22-1/4"	27-1/4"	27-1/4"
D	30-1/2"	32-3/8"	37-3/8"	42-3/8"
E	33-5/8"	35-1/4"	40-1/4"	45-1/4"
F	21-7/8"	25"	30"	35"
G	10-15/16"	12-1/2"	15"	17-1/2"
H	31"	32-7/8"	37-7/8"	42-7/8"
I	14"	17"	17"	17"
J	5-3/4"	6-7/8"	6-7/8"	6-7/8"

FRAMING SPECIFICATIONS

	DRT2033	DRT2035	DRT2040	DRT2045
WIDTH	33-3/4"	35-3/8"	40-3/8"	45-3/8"
HEIGHT	34-1/4"*	36-1/4"*	41-1/4"*	41-1/4"*
DEPTH	14-1/2"	18-1/2"	18-1/2"	18-1/2"

* Includes 4" for fold-up standoffs

OPTIONAL ACCESSORIES



Buff Stacked Liner

ADDITIONAL ACCESSORIES

- Remote or Wall Mounted controls
- Blower with multiple control options

FIREPLACE EFFICIENCIES

MODEL	FUEL	BTU/HR	AFUE**	P4/ENERGUIDE*
DRT2033	NG	12,000	64%	60.4%/64.8%
DRT2033	LP	10,000	64%	60.4%/64.8%
DRT2035	NG	15,000	65.5%	61.0%/65.0%
DRT2035	LP	12,000	65.5%	61.0%/65.0%
DRT2040	NG	16,000	65.5%	62.0%/65.0%
DRT2040	LP	15,000	65.5%	62.0%/65.0%
DRT2045	NG	20,000	65%	63.0%/66.0%
DRT2045	LP	19,000	65%	63.0%/66.0%

*Intermittent ignition systems. Millivolt/Electronic.

**Annual Fuel Utilization Efficiency (AFUE) is the recognized U.S. rating system for the total efficiency of heating products.

IMPORTANT NOTES:

As with any fireplace, this appliance is extremely hot during operation. Read and understand all operating instructions before using this appliance. For further information, consult your dealer.

Local conditions, such as elevation, wind, vent configuration and choice of fuel will affect overall appearance of the fire and heating performance. Performance can also vary with home design and insulation, climate, condition and type of fuel used, appliance location, burn rate, accessories chosen, chimney installation and how the appliance is operated.

Diagrams, illustrations and photographs are not to scale—consult installation instructions. Product designs, materials, dimensions, specifications, colors and prices are subject to change or discontinuance without notice.

On the cover: DRT2035 shown with Black Painted Interior



© 2018 Innovative Hearth Products

785496M 11/18

Visit us online
SuperiorFireplaces.us.com

