

ORION

VENT-FREE GAS FIREBOXES



astria
FIREPLACES®



FEATURED Orion 36" Firebox with Back Bay Brown Ceramic Fiber Liners and Rich Oak Vent-Free Logs (sold separately)

The ultimate choice in vent-free firebox design, the **Orion** offers the style and versatility demanded by today's homeowners. Standard features include multiple interior options and heat-circulating smooth-faced models for increased performance when using a blower. The Orion readily accepts a large variety of vent-free gas logs, and is the smart choice for affordable comfort without compromise.



Orion 36" Firebox shown with Refractory Liners & Floor and Rich Oak Vent-Free Logs (sold separately).

STANDARD FEATURES

- ◆ Available in 32", 36" and 42" models with refractory liners and floor
- ◆ Available in 32", 36" and 42" models with fiber liners and black metal floor
- ◆ 24" tall and full width opening on all models
- ◆ All models are heat-circulating with a clean face
- ◆ Includes heat deflection hood
- ◆ Durable textured powder coat finish
- ◆ Includes mesh fire screens & junction box
- ◆ Select from a variety of compatible vent-free log sets and controls (sold separately)
- ◆ Optional precision-cut decorative twin-pane screen doors in a textured iron finish
- ◆ Optional blower kits available for all models
- ◆ Optional outside air kit
- ◆ Limited lifetime warranty

Compatible with any ANSI Z21.11.2 listed vent-free log set. Choose an Astria vent-free gas log set for best results.



Stacked Refractory Liners & Floor



Back Bay Brown Ceramic Fiber Liners



Decorative Twin-Pane Screen Door

COMPATIBLE VENT-FREE GAS LOG SETS



Blonde Oak



Chestnut Hill



Chestnut Hill HD



Bison Mountain



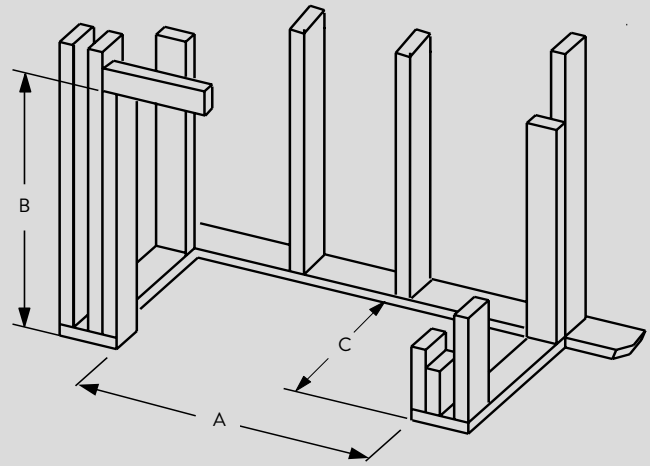
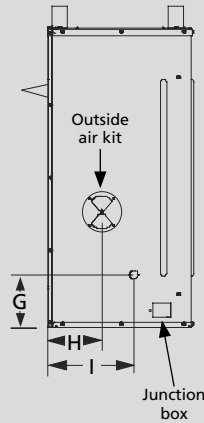
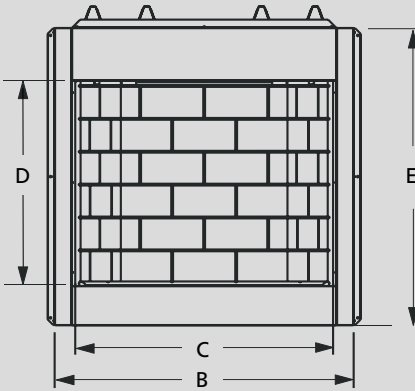
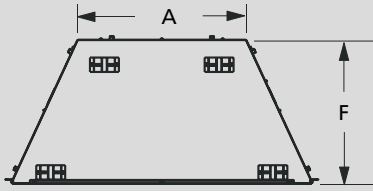
Western Timber



Rich Oak

APPLIANCE SPECIFICATIONS

FRAMING SPECIFICATIONS



ORION 32 ORION 36 ORION 42

A	38-1/4"	42-1/4"	48-1/4"
B	40-1/4"	40-1/4"	40-1/4"
C	20-1/2"	20-1/2"	20-1/2"

ORION 32 ORION 36 ORION 42

A	19-1/2"	23-1/2"	29-1/2"
B	37-3/4"	41-3/4"	47-3/4"
C	33"	36"	42"
D	24"	24"	24"
E	37-1/4"	37-1/4"	37-1/4"
F	20"	20"	20"
G	7-3/8"	7-3/8"	7-3/8"
H	7-1/2"	7-1/2"	7-1/2"
I	12"	12"	12"

INTERIOR FIREBOX DIMENSIONS*

ORION 32 ORION 36 ORION 42

FRONT WIDTH	31"	35"	41"
REAR WIDTH	19-1/4"	23-1/4"	29-1/4"
DEPTH	17-3/8"	17-3/8"	17-3/8"
HEIGHT	24"	24"	24"

* To assist with compatible log size selection

IMPORTANT NOTES:

As with any fireplace, this appliance is extremely hot during operation. Read and understand all operating instructions before using this appliance. For further information, consult your dealer.

Local conditions, such as elevation, wind, vent configuration and choice of fuel will affect overall appearance of the fire and heating performance. Performance can also vary with home design and insulation, climate, condition and type of fuel used, appliance location, burn rate, accessories chosen, chimney installation and how the appliance is operated.

Diagrams, illustrations and photographs are not to scale—consult installation instructions. Product designs, materials, dimensions, specifications, colors and prices are subject to change or discontinuance without notice.

