

ORION LR

VENT-FREE GAS FIREBOXES





ORION LR firebox with White Herringbone Refractory Panels

The tall opening and low to the floor design of the **Orion LR** series of vent-free fireboxes are welcome features to anyone familiar with traditional site-built masonry fireplaces. The fireplace's refractory brick panels are molded from actual hand-cut firebrick in a traditional stacked or herringbone pattern. Combine with a variety of vent-free gas logs for a beautiful full size fireplace with a traditional masonry appearance.

Interior Liner Options (Required)

Choose from White Stacked or White Herringbone Refractory Panels.



White Stacked



White Herringbone

Vent-Free Gas Logs



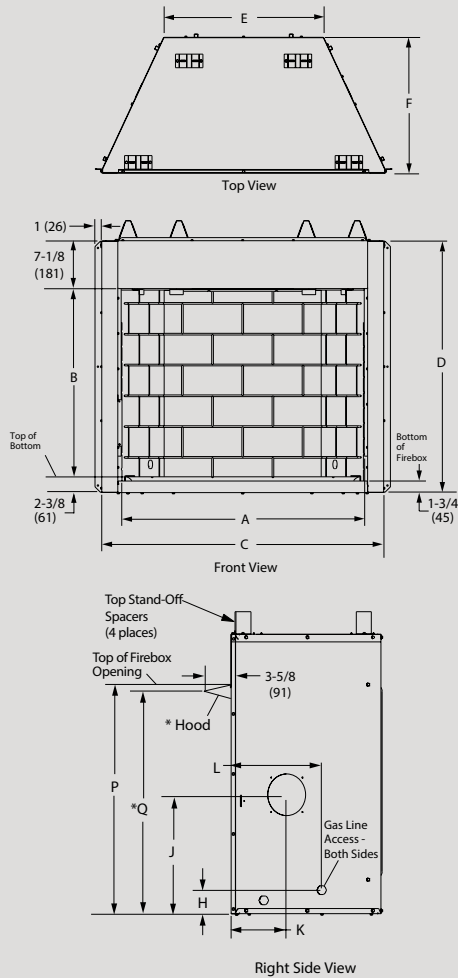
Visit Astria.us.com to see the complete selection of vent-free gas logs that are available to complement this firebox.

STANDARD FEATURES

- ◆ Available in 32", 36" and 42" models.
- ◆ 32" model has a 28" tall opening and accepts most 18" vent-free gas logs*.
- ◆ 36" model has a 28" tall opening and accepts most 24" vent-free gas logs*.
- ◆ 42" model has a 28" tall opening and accepts most 30" vent-free gas logs*.
- ◆ Low to the floor masonry design for a cleaner, more traditional look.
- ◆ Realistic refractory brick liner available in stacked or herringbone pattern.
- ◆ Mesh draw screens for a more realistic appearance.
- ◆ Radiant smooth-faced design with durable black powder-coat finish.
- ◆ Includes required heat deflection hood.
- ◆ Optional outside air kit available.
- ◆ Limited Lifetime Warranty.

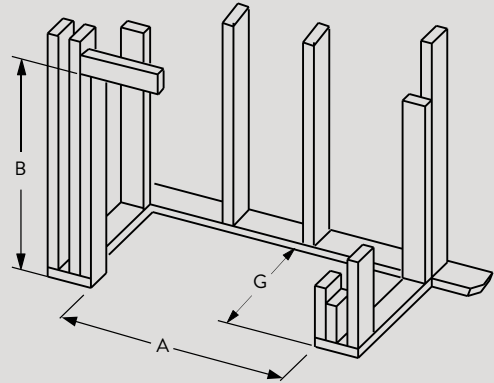
*Compatible with any ANSI Z21.11.2 listed vent-free log set. Choose an Astria vent-free log set for best results.

APPLIANCE SPECIFICATIONS



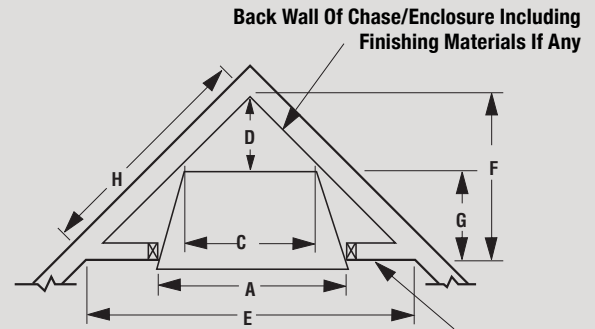
	ORION LR 32	ORION LR 36	ORION LR 42
A	33"	36"	42"
B	27-7/8"	27-7/8"	27-7/8"
C	37-3/4"	41-3/4"	47-3/4"
D	37-1/4"	37-1/4"	37-1/4"
E	19-1/2"	23-1/2"	29-1/2"
F	20"	20"	20"
G	3"	3"	3"
H	3-3/16"	3-3/16"	3-3/16"
J	15-7/8"	15-7/8"	15-7/8"
K	7-1/2"	7-1/2"	7-1/2"
L	12"	12"	12"
M	1-3/8"	1-3/8"	1-3/8"
N	5-1/2"	5-1/2"	5-1/2"
P	30-3/8"	30-3/8"	30-3/8"
Q	29-5/8"	29-5/8"	29-5/8"

FRAMING SPECIFICATIONS



PARALLEL INSTALLATION

	ORION LR 32	ORION LR 36	ORION LR 42
A	38-1/4"	42-1/4"	48-1/4"
B	40-1/4"	40-1/4"	40-1/4"
C	19-5/8"	23-5/8"	29-5/8"
D	10-1/4"	12-1/4"	15-1/4"
E	59-3/4"	63-3/4"	69-3/4"
F	29-7/8"	31-7/8"	34-7/8"
G	20-1/2"	20-1/2"	20-1/2"
H	42-1/4"	45"	49-3/8"



CORNER INSTALLATION

IMPORTANT NOTES:

As with any fireplace, this appliance is extremely hot during operation. Read and understand all operating instructions before using this appliance. For further information, consult your dealer.

Local conditions, such as elevation and choice of fuel will affect overall appearance of the fire and heating performance. Performance can also vary with home design and insulation, ceiling height, accessories chosen and appliance location.

Diagrams, illustrations and photographs are not to scale — consult installation instructions. Product designs, materials, dimensions, specifications, colors and prices are subject to change or discontinuance without notice.