

PELLET STOVES



WINSLOW



WINSLOW PS40GL

The Winslow™ pellet stove delivers inviting and reliable heat in an attractive style that can be customized to complement any home. Convenient features, ease of use and serviceability are designed right into the stove. And with Smart Heat™ technology, an ideal room temperature can be set for consistent comfort. Plus, with a large variety of design features, the Winslow can be personalized to reflect every style and taste.

OVERVIEW

- ◆ Large, heavy-duty welded steel heat exchanger provides efficient heat transfer and maximum durability.
- ◆ Smart Heat™ technology delivers the ultimate in precision heating and comfort control.
- ◆ Large and easy-to-load hopper holds up to 60 lbs., requiring less loading and ensuring longer burn times.
- ◆ Innovative self-ignition system delivers hassle-free automatic starts and works with a thermostat for easy operation.
- ◆ Durable, cast-iron burn pot, with airburst feature, self-cleans for less maintenance and trouble-free starts.
- ◆ Extra-large ash drawer removes quickly and easily for simple cleaning.
- ◆ Sealed blower and auger assembly ensures quiet operation and never need to be greased.
- ◆ Unique air wash system creates less maintenance and a clear view of the fire.
- ◆ Multiple door trims and grill finishes add to the attractive finished look. (1ea-required).
- ◆ Optional log set and brick panel provide realism and design opportunities.
- ◆ Several optional thermostat and on-off remote control kits are available for added convenience.
- ◆ Limited lifetime warranty

*Square-foot heating capacities are approximations only. Actual performance may vary depending upon home design and insulation, ceiling heights, climate, condition and type of fuel used, appliance location, burn rate, accessories chosen, chimney installation and how the appliance is operated.

WINSLOW PS40GL



Winslow shown with Nickel trim finish and Nickel grill.



The integrated heavy-gauge steel heat exchanger paired with the standard blower maximize the heat output into the room.

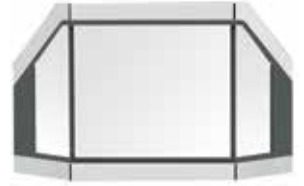
- BTU OUTPUT:** 39,800 – 15,120
- HEATING CAPACITY:** 900 – 2,000 square feet
- EFFICIENCY:** 87.3%
- STANDARD BLOWER:** 150-CFM
- HOPPER CAPACITY:** 60 LBS.
- REMOTE CONTROL:** Optional

OPTIONS

DOORS



Black



Nickel



Brushed Nickel



Black Nickel

GRILLS



Black



Nickel



Brushed Nickel



Black Nickel

LINER



Brick Liner

LOG SET



Log Set

REMOTES

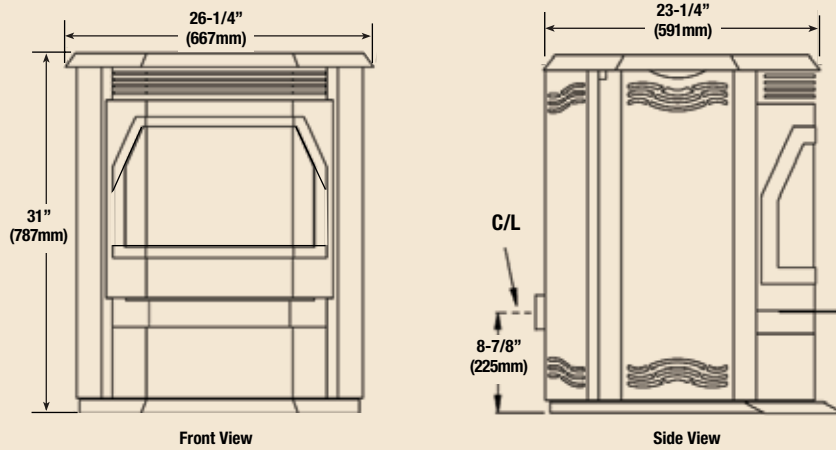


Options include a thermostatic touch remote and simple on/off remote, among others.

SPECIFICATIONS

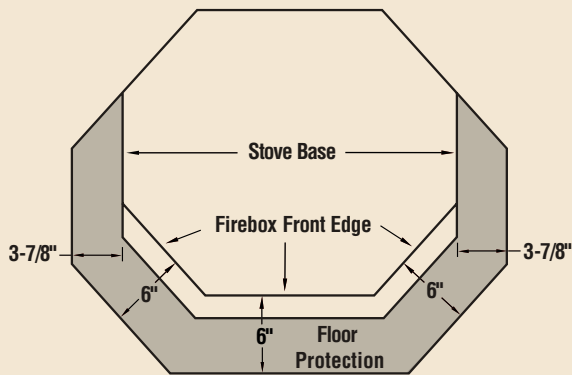
WINSLOW PS40GL

STOVE DIMENSIONS



FLOOR PROTECTION

The floor protection must be a non-combustible material extending beneath the stove and to the front and sides as shown here.



CLEARANCES

