

PELLET INSERTS



WINSLOW



WINSLOW PI40GL

The Winslow™ fireplace insert delivers inviting and reliable heat in an attractive style that can be customized to complement any home. Convenient features, ease of use and serviceability are designed right into the stove. And with Smart Heat™ technology, ideal room temperatures can be set for consistent comfort. Plus, with a large variety of design features, the Winslow can be personalized to reflect every style and taste.

OVERVIEW

- ◆ Large, heavy-duty welded steel heat exchanger provides efficient heat transfer and maximum durability.
- ◆ Smart Heat™ technology delivers the ultimate in precision heating and comfort control.
- ◆ Large and easy-to-load hopper holds up to 55 lbs., requiring less loading and ensuring longer burn times.
- ◆ Innovative self-ignition system delivers hassle-free automatic starts and works with a thermostat for easy operation.
- ◆ Durable, cast-iron burn pot, with airburst feature, self-cleans for less maintenance and trouble-free starts.
- ◆ Sealed blower and auger assembly ensures quiet operation and never need to be greased.
- ◆ Unique air wash system creates less maintenance and a clear view of the fire.
- ◆ Choose from several sizes of surround panel kits to match your opening size (1-required).
- ◆ Multiple door trims and grill finishes add to the attractive finished look. (1ea-required).
- ◆ Optional log set and brick panel provide realism and design opportunities.
- ◆ Several optional thermostat and on-off remote control kits are available for added convenience.
- ◆ Limited lifetime warranty.

*Square-foot heating capacities are approximations only. Actual performance may vary depending upon home design and insulation, ceiling heights, climate, condition and type of fuel used, appliance location, burn rate, accessories chosen, chimney installation and how the appliance is operated.

WINSLOW PI40GL



Winslow shown with Brush Nickel trim finish, Brushed Nickel grill, and Optional Log set



- BTU OUTPUT:** 37,500 – 15,120
- HEATING CAPACITY:** 900 – 2,000 square feet
- EFFICIENCY:** 87.3%
- STANDARD BLOWER:** 150-CFM
- HOPPER CAPACITY:** 55 LBS.
- REMOTE CONTROL:** Optional

OPTIONS

STOVE SURROUND TRIMS



- Black
- Nickel

Choose a Surround size based on your existing fireplace then a Trim finish.

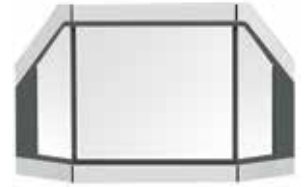
- 41" W X 29"H
- 48" W X 29"H
- 41" W X 33"H
- 48" W X 33"H

Trim Finish

DOORS



Black



Nickel



Brushed Nickel



Black Nickel

GRILLS



Black



Nickel



Brushed Nickel



Black Nickel

LINER



Brick Liner

LOG SET



Log Set

REMOTES

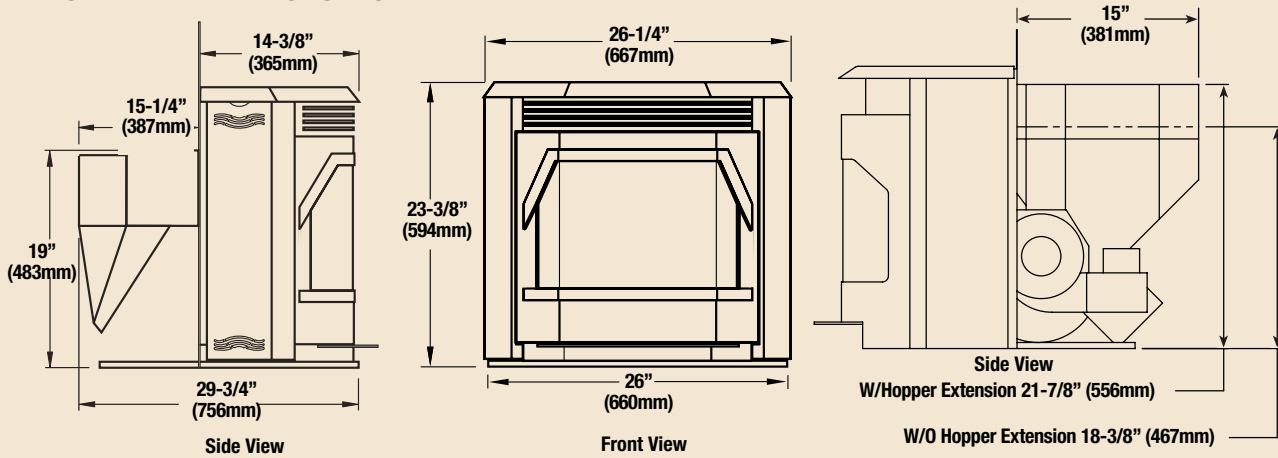


Options include a thermostatic touch remote and simple on/off remote, among others.

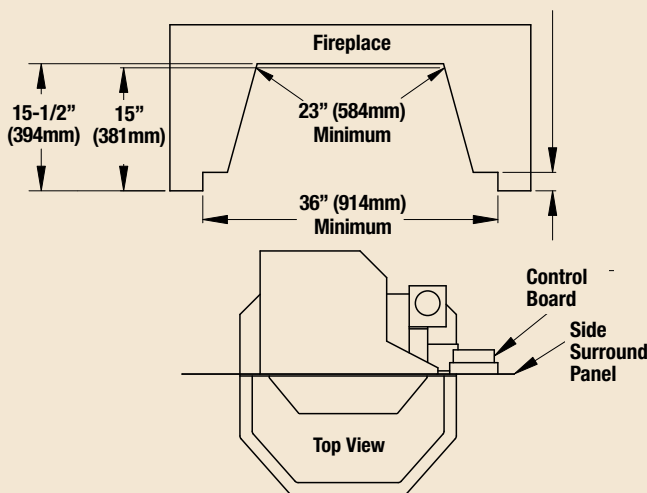
SPECIFICATIONS

WINSLOW PI40GL

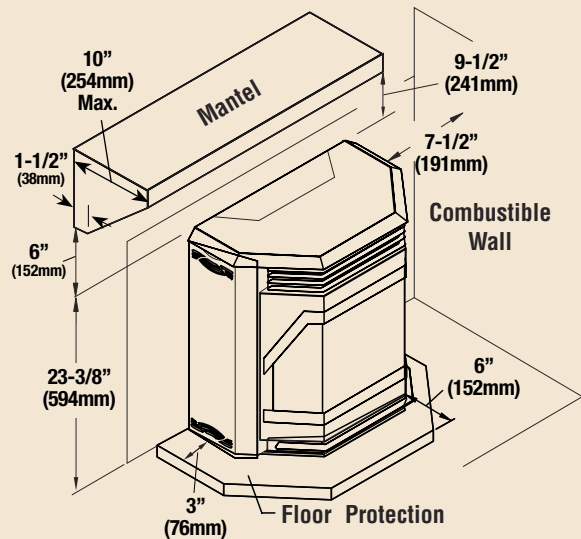
INSERT DIMENSIONS



FIREPLACE DIMENSIONS



CLEARANCES



FLOOR PROTECTION

