

Superior
FIREPLACES®
Our name is our promise.



The WCT4920 combines powerful high efficiency performance, mesmerizing flames, and controlled combustion heating from a compact 2.0 cu. ft. firebox. Choose from multiple square and arched, façade and door combinations to achieve an attractive style that is customized to individual taste.



FEATURED WCT4920 shown with Smooth Panels

EXCLUSIVE FEATURES

- 🔥 Circulating design features facade, square or arch doors and ceramic glass for optimum heat transfer
- 🔥 EPA variable-rate certified high-efficiency wood heater
- 🔥 2.0 cubic foot insulated firebox that accepts up to 19" log size for increased performance
- 🔥 Smooth refractory panels with integrated ash lip and steel log retainer
- 🔥 Air combustion control for variable heat output with air boost for faster wood ignition during startup
- 🔥 Includes insulated outside air kit (required for use)
- 🔥 55,000 BTUs and heats up to 1,500 square feet*
- 🔥 Efficient air wash system that keeps glass clean
- 🔥 Steel doors available with heat resistant door handle that stays cool to the touch
- 🔥 Includes heat activated 200 CFM variable-speed blower for time-delayed heat distribution
- 🔥 HeatFlo™ air kit and/or thermostatically controlled forced air kit available (three maximum outlets)
- 🔥 Durable high temperature paint finish
- 🔥 20 Year Limited Warranty

*Square-foot heating capacities are approximations only. Actual performance may vary depending upon home design and insulation, ceiling heights, climate, condition and type of wood used, appliance location, burn rate, accessories chosen, chimney installation and how the appliance is operated.

MULTI-ROOM HEATING OPTIONS

The WCT4920 wood burning fireplace can be used to heat multiple rooms within your home. Depending on your needs, there are several options to help you put the heat where you want it. With the HeatFlo Kit, warm air circulation can be shared through natural convection up to 10 feet away into one or two adjacent rooms. The optional Forced Air Kit provides up to 25% more heat from the same fire. This additional heat can be distributed up to 50 feet, to three additional rooms, including rooms on a lower floor.

DOORS

(One Required)



Smooth-Steel



Cast-Iron



Smooth-Steel

INTERIOR

(Standard)



Smooth

FACADES

(One Required)



Louvered Arch



Louvered Square

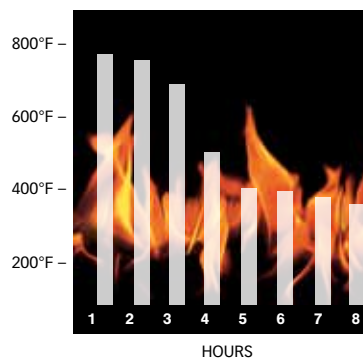


Clean Face

ADDITIONAL ACCESSORIES

- Cast Iron or Smooth Door (One Required)
 - Louvered or Clean Face Facade (One Required)
 - HeatFlo Air Kit for natural flow zone heating to multiple locations
 - Forced Air Kit for forced air zone heating to multiple locations
-

BURN RATES*

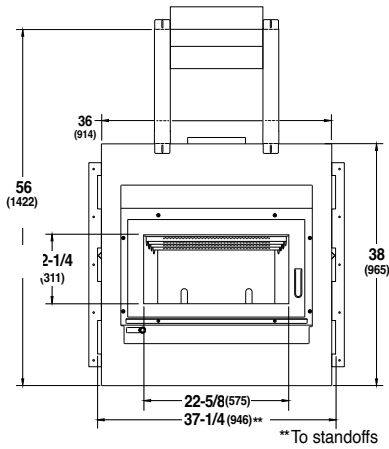


*Results obtained by burning 25 lbs. of dry maple wood. (one hour pre-heating)

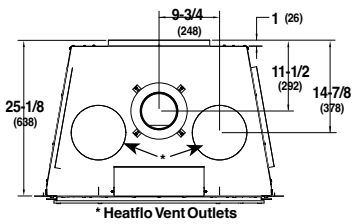
APPLIANCE SPECIFICATIONS

FRAMING SPECIFICATIONS

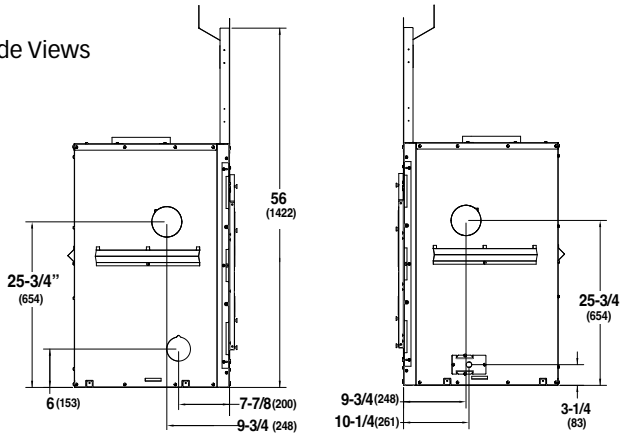
Front View



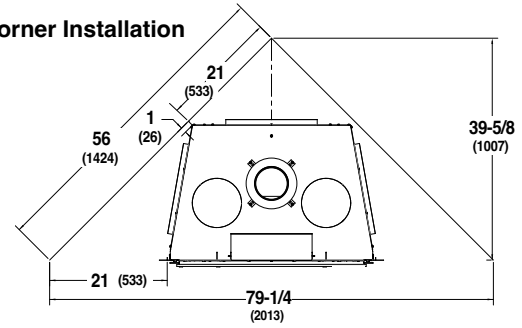
Top View



Side Views

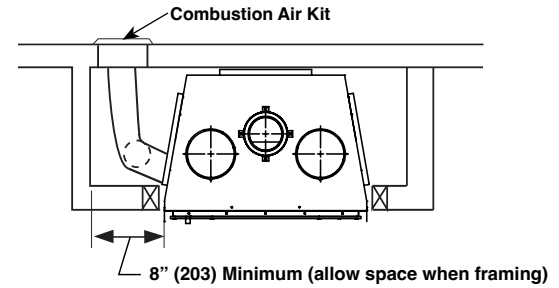
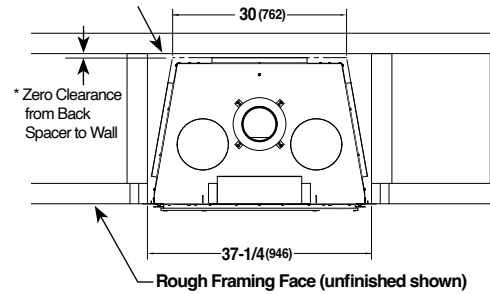


Corner Installation



Back Wall of Chase / Enclosure Including Finishing Materials, if any

Outside Chase



PRODUCT SPECIFICATIONS

Glass Viewing Area (W x H)	22-1/2" x 12-1/4"
Firebox Interior (W x H x D)	22" x 11-3/4" x 12"
Interior Cubic Feet	2.0
Maximum Log Size	19"
Chimney Size	6"
EPA Rating	1.9 grams/hr
Max BTUs	55,000
Heating Capacity (up to)	1,500 sq. ft.
Thermal Efficiency	72%
Blower	250 CFM
Weight	330 lbs.

IMPORTANT NOTES:

As with any fireplace, this appliance is extremely hot during operation. Read and understand all operating instructions before using this appliance. For further information, consult your dealer.

Local conditions, such as elevation and choice of fuel will affect overall appearance of the fire and heating performance. Performance can also vary with home design and insulation, ceiling height, accessories chosen and appliance location.

Diagrams, illustrations and photographs are not to scale — consult installation instructions. Product designs, materials, dimensions, specifications, colors and prices are subject to change or discontinuance without notice.

