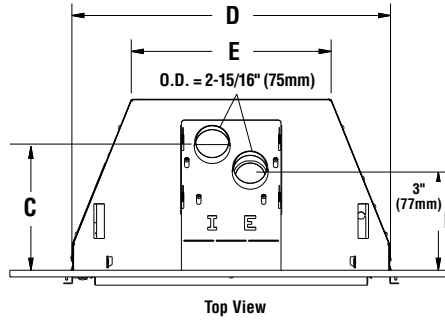


# Madison Park™ MPI34 / MPI34CD

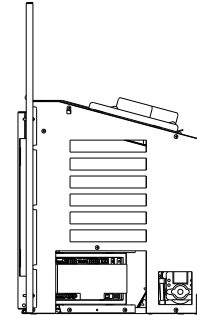
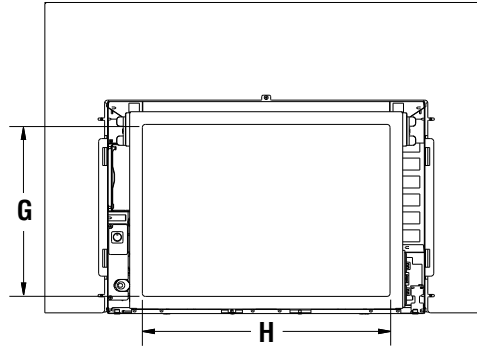
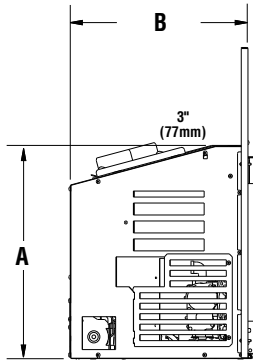
## Appliance Specifications



## DIRECT-VENT FIREPLACE INSERT

Input (BTU) - Electronic Models		
Fuel	MPI34	MPI34CD
	Input Rate (BTU / HR)	
Nat. Gas	Hi 38,000	Hi 38,000
	Lo 25,000	Lo 25,000
LP Gas	Hi 35,500	Hi 35,500
	Lo 27,000	Lo 27,000

Insert Dimensions



Model	A	B	C	D	E	F	G	H
MPI34 and MPI34CD	23-7/8" (606mm)	16-1/4" (413mm)	12-1/4" (311mm)	33-5/8" (854mm)	23" (584mm)	10" (254mm)	19-7/8" (505mm)	27-3/4" (705mm)

### MINIMUM FIREPLACE SIZES REQUIRED

	MPI34 / MPI34CD
Front Opening Width *	34" (864mm)
Height	24" (610mm)
Rear Width	24" (610mm)
Depth	16" (406mm)

### MINIMUM CLEARANCES TO COMBUSTIBLES

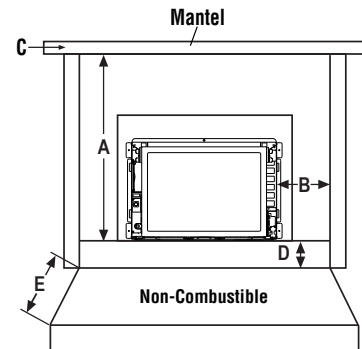
A = Mantel	36" (914mm)
B = Side Wall	4" (102mm)
C = Mantel Depth	10" (254mm)

### HEARTH PROTECTION

D = Vertical Distance from base of appliance to Hearth Extension	0" (0mm)   4" (102mm)
E = Minimum Horizontal Distance from Front of Appliance	10" (254mm)   0" (0mm)

\* The front opening width of the fireplace must be maintained to a 3" depth into the fireplace firebox.

### MINIMUM CLEARANCES



Insert Clearances

Efficiency		
	Natural Gas	Propane Gas
AFUE	MPI34 - 67% MPI34CD - 68%	MPI34 - 73% MPI34CD - 70%
EnerGuide P4	MPI34 - 64% MPI34CD - 66%	MPI34 - 68% MPI34CD - 70%

\*\* Efficiency varies slightly with various pipe configurations.

**NOTE:** Diagrams, illustrations and photographs are not to scale – consult installation instructions. Product designs, materials, dimensions, specifications, colors and prices are subject to change or discontinuance without notice.

Listing Information



Report No. 14-098

This insert has been tested and certified to ANSI Z21.88 / CSA 2.33 Standard for Vented Gas Fireplace Heater and CSA 2.17-2017 and UL 307B Gas Burning Heating Appliances for Manufactured (Mobile) Homes in both USA and Canada.

# Madison Park™ MPI34 / MPI34CD

Product Reference Information			
Cat. No.	Description	Ship. Weight	Ship. Volume
F2134	MPI34, Madison Park™ Traditional 34, Large Insert	118 lb.	18.17 cu. ft.
F2135	MPI34CD, Madison Park Contemporary 34, Large Insert	100 lb.	14.78 cu. ft.

Vent Kits

## Simpson Dura Vent -

Flex Liner 3" X 35' - #3DFA-35

Adaptor w/ Flashing - #46DVA-GK

Termination Cap - #46DVA-VCH With #460 DVA-VWG

Termination Cap - #460DVA-VC

Co-Linear Kit w/ 3" X 35' Flex Liner (Intake and Exhaust), Adaptor, Flashing and Termination Cap - #46DVA-CL33

## Selkirk -

Termination Cap - #4DT-VT

Vent Adaptor - #4DT-CTB

Venting - 3' x 35' #AF35-03

Venting - 3' x 25' # AF25-03

Venting - 3' x 15' # AF15-03

Typical Installation

The existing fireplace chimneys may take various contours which the flexible liners will accommodate. However, keep the flexible liner STRAIGHT and avoid bending. When at maximum vertical height, standing pilot should be used for correct operation.

### Liner Requirements:

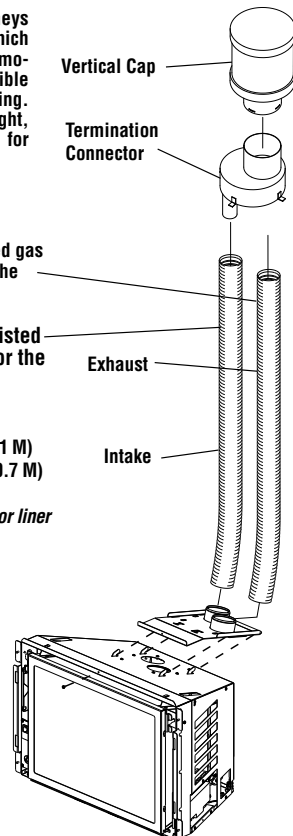
Use 3" (77 mm) diameter listed gas vent liner (UL1777 ONLY) for the EXHAUST

Use 3" (77 mm) diameter listed liner (UL 181 or UL1777) for the AIR INTAKE.

Vertical Height Min. = 10 ft. (3.1 M)  
Vertical height Max. = 35 ft. (10.7 M)

**NOTE:** Measured from base on unit to the end of the vent pipe or liner

The flexible vent pipe must NOT be allowed to sag behind insert or in fireplace flue.



Options

## Firebox Liner Kits - One Required

Heritage Brown

Black Tie

Black Porcelain

Black Painted

## Facade Kits

Contemporary

Santa Fe

Black Deco

Full Front

## Surround Kits - One Required

3 Sided (41" W x 31" H, 46" W x 31" H, 41" W x 34" H, 46" W x 34" H)

4 Sided - Trimmable (46" W x 42" H)

Standard Features

- Standard full-featured remote.
- Electronic ignition with optional continuous pilot mode.
- Battery back-up in case of power outage
- Standard 150-CFM variable-speed blower delivers warm, consistent heat