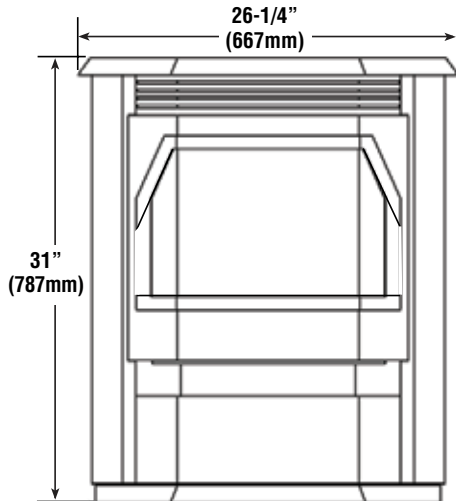


Winslow™ Model PS40GL

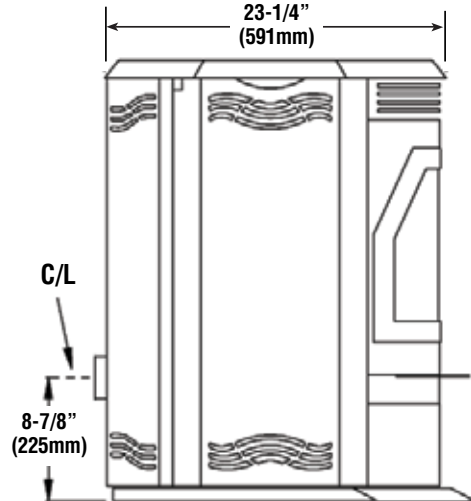
Appliance Specifications

FREESTANDING PELLET STOVE

Stove Dimensions



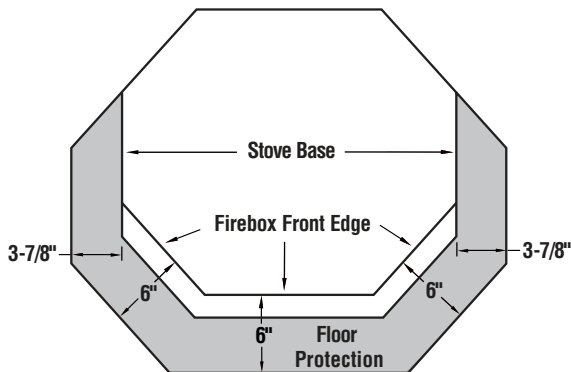
Front View



Side View

The floor protection must be a non-combustible material extending beneath the stove and to the front and sides as shown here.

Floor Protection



Notes

NOTE: Diagrams, illustrations and photographs are not to scale – consult installation instructions. Product designs, materials, dimensions, specifications, colors and prices are subject to change or discontinuance without notice.

Specifications and clearances are subject to change without notice. Refer to Installation and Operation Manual before installation of these appliances for updated dimensions and instructions.

Listing

The listing laboratory is PFS TECO.
Tested to: ASTM E2779 & ASTM E2515 standards, 2020 NSPS Compliant



Report No. 14-187

EPA Certification test emissions value
1.47 g/hr per EPA Method 28R

- Colorado Approved Pellet Stoves
- Canada Approved
- Manufactured (mobile) Home Approved
- Bedroom Approved

Specifications

Specifications	
Maximum BTU Output	39,800 BTU'S (4.7 lbs/hr)
Minimum BTU Output	15,120 BTU's (1.8 lbs/hr)
Room Air Blower	150 CFM
Hopper Capacity	60 lbs.
Flue Size	3"
Fuel	1/4" or 5/16" Dia. Wood Pellets or Corn Pellet Mix (up to 50/50 corn-to-pellet ratio)
Electrical	
Maximum Wattage	700
Igniter Wattage	400
Normal Operating Wattage	300

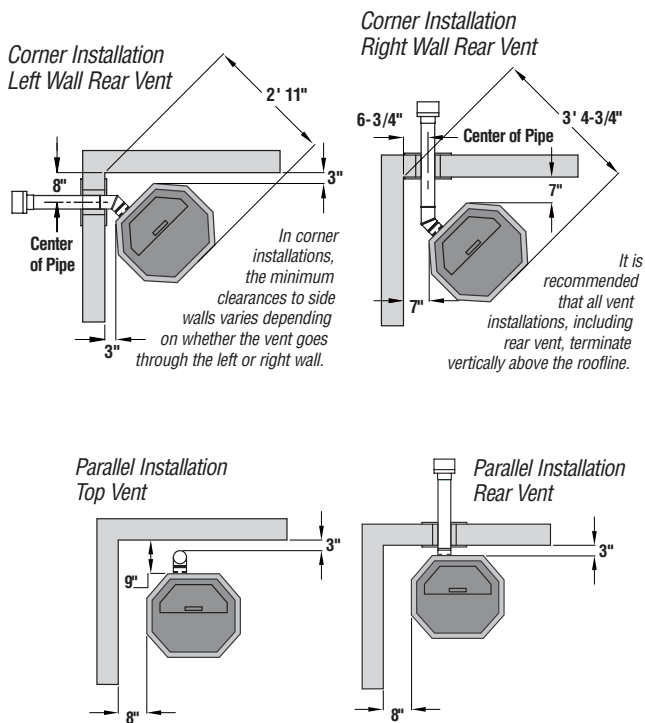
Winslow™ Model PS40GL

Product Reference Information			
Cat. No.	Model	Ship. Weight	Ship. Volume
F4349	PS40GL	302 lb.	23.2 cu. ft.

Options

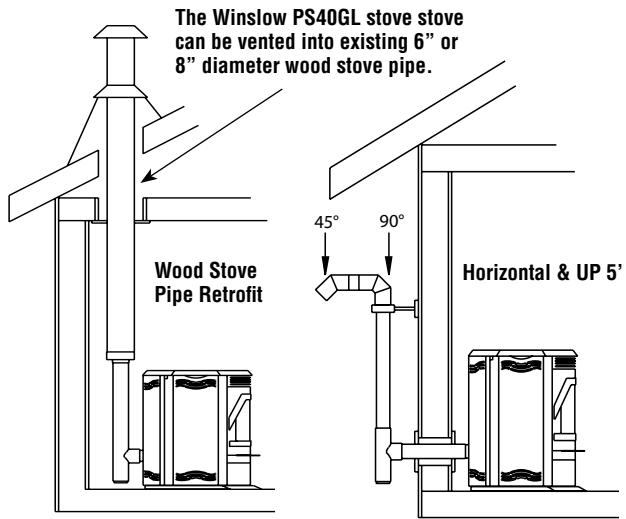
- Door Trim Kits and Grill Kits - Available in Black, Nickel, Brushed Nickel and Black Nickel
- Log Set
- Brick Panel Kit
- Remote Controls, Wall Thermostat or Wall Countdown Timer

Clearances

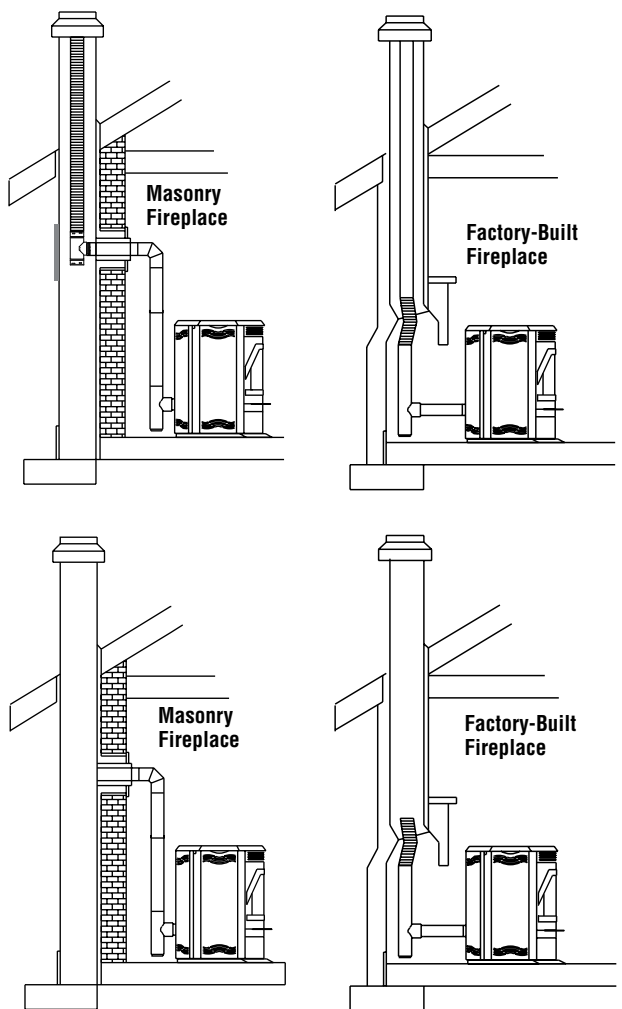


Venting

This stove is approved for venting with Type L and Type PL pellet vent pipe. The flue collar on the stove accepts 3" diameter pipe.



Vent Configurations



Vent Configurations

