

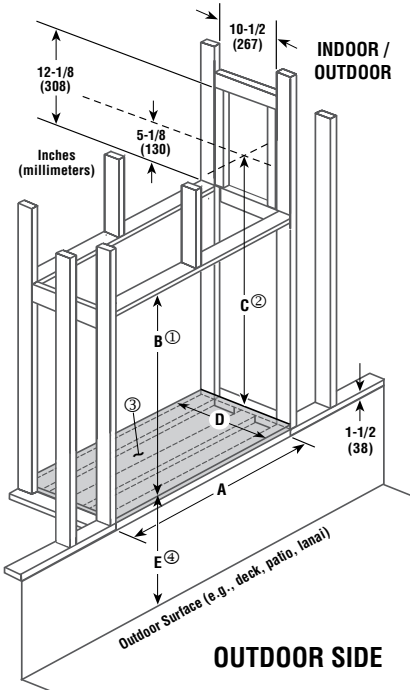
# DRT63STTYN

## SEE-THROUGH DIRECT-VENT FIREPLACE

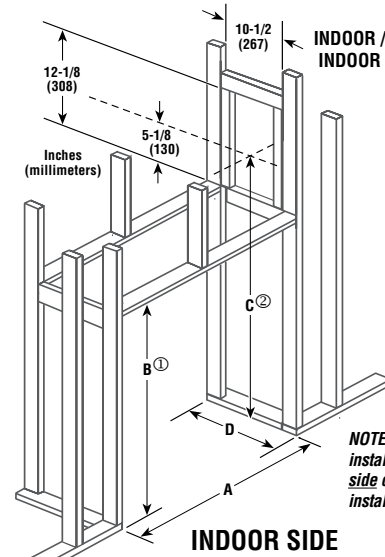
	A	B ①	C ②	D	E ④
in	52-1/8	47-3/8	99-1/2	26-3/8	6
(mm)	(1324)	(1203)	(2527)	(670)	(152)

Framing Should be constructions of 2 x 4 or larger lumber.

Framing Dimensions



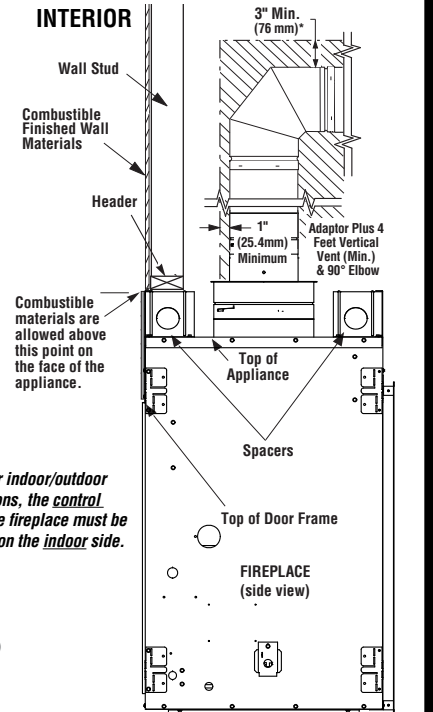
- ① Dimension B is from fireplace base to top framing member.
- ② Dimension C is from fireplace base to centerline of horizontal vent pipe. Minimum vent framing: Adaptor plus 4 feet vertical vent and one 90-degree elbow. For other venting configurations, see the **Installation and Operation Manual**.



- ③ 1/2" board for platform (shown in gray).
- ④ Dimension E is awww 6" clearance from fireplace base to outdoor surface (e.g., deck, patio, lanai) that is required as a moisture barrier (not a combustible clearance) on outdoor side only.

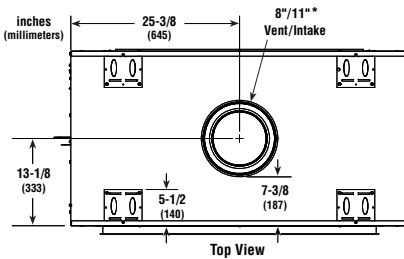
**NOTE:** For indoor/outdoor installations, the **control side** of the fireplace must be installed on the **indoor side**.

Wall Finishing

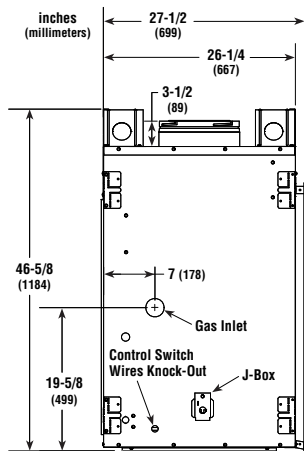


\* **Insulation is NOT ALLOWED** in the clearance zones around vent components. **Keep this area free from combustible materials.**

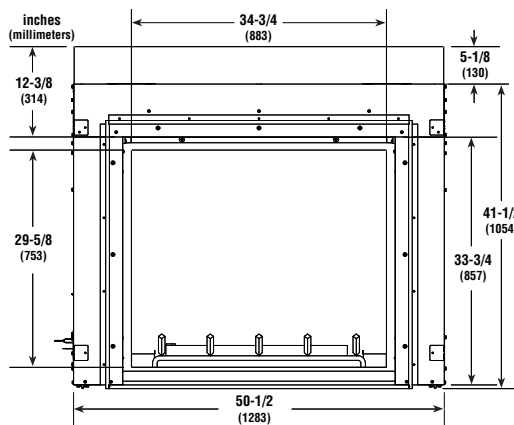
Vent Size	
Co-axial DV Collar on Fireplace -	8" Inner / 11" Outer
Adaptor Probe Reduces Vent Size To -	4-1/2" Inner / 7-1/2" Outer



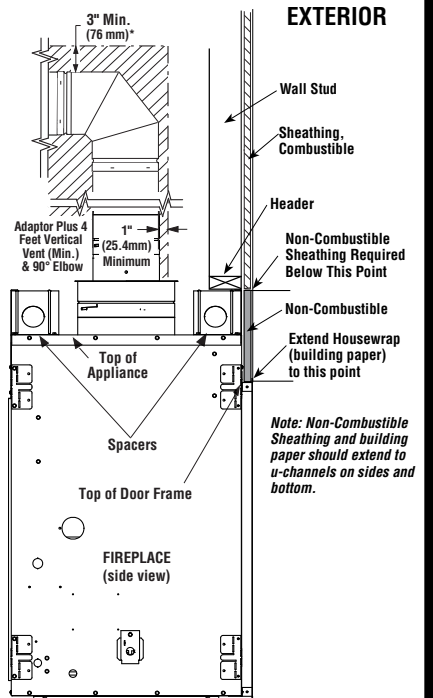
Fireplace Dimensions



**Unit Dimensions**  
(Shown with Outdoor Kit Installed)



**Front View (opposite valve access side)**



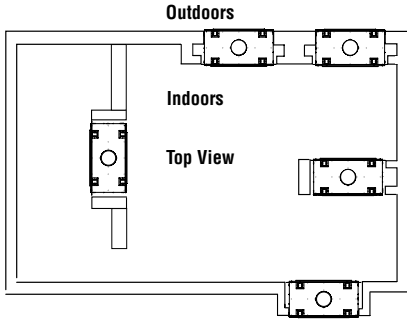
**Note:** Non-Combustible Sheathing and building paper should extend to u-channels on sides and bottom.

NOTE: DIAGRAMS & ILLUSTRATIONS ARE NOT TO SCALE.

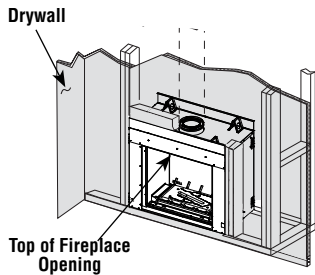
# DRT63STTYN

Product Information

Product Reference Information			
Cat. #	Model	Ship. Wt.	Ship. Volume
F2235	DRT63STTYN	383 lb.	52.2 cu. ft.

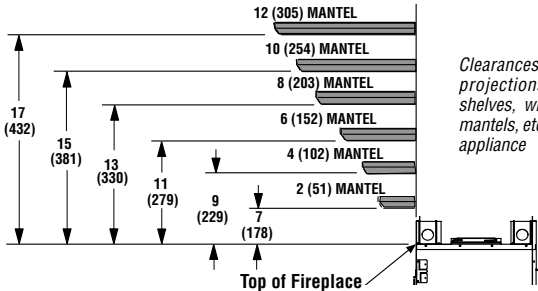


When the unit is installed with one side flush with a wall, the wall on the other side of the unit must not extend beyond the front edge of the unit.



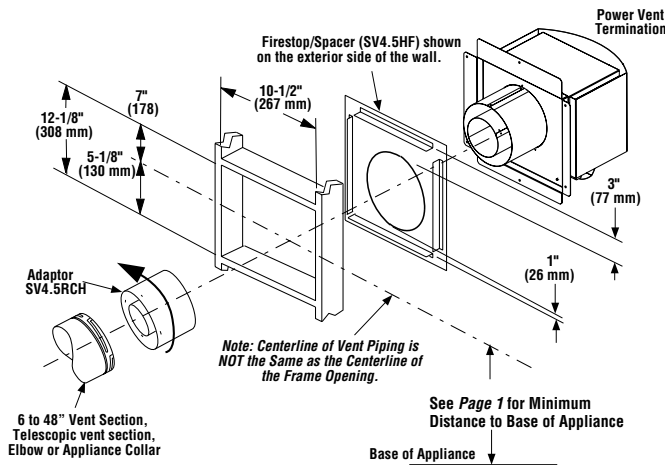
Typical Installations

Mantel Clearances



Clearances from any projections such as shelves, window sills, mantels, etc. above the appliance

Horizontal Termination



Note: Centerline of Vent Piping is NOT the Same as the Centerline of the Frame Opening.

See Page 1 for Minimum Distance to Base of Appliance

Listing Information

Listed by PFS Corporation to ANSI Z21.88 (in Canada, CSA-2.33), and CAN/CGA-2.17-M91 (CSA P4.1) in both USA and Canada, as a vented gas fireplace.



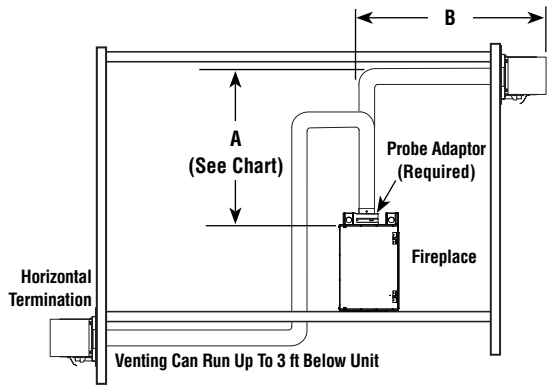
Report No. F14-107

Natural and Propane Gas	
Models	Input (BTU/HR)
DRT63STTYN	40,000 to 60,000
DRT63STTYP*	43,500 to 56,000*

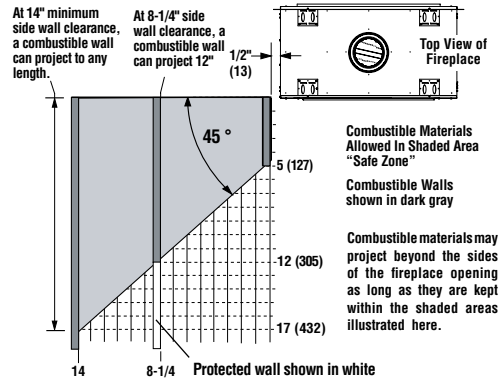
\* if field converted

Power Vent Chart

Power Vent Venting Chart		
Maximum Number Of Elbows	-	6
Maximum Feet Of Run	A + B	110 feet
Minimum Horizontal Run	B	10 feet
Minimum Vertical Run	A	Adaptor Plus 4 Feet Vertical Vent (Min.) and 90° Elbow
Maximum Vertical Rise	A	66 feet
Minimum Clearances To Combustibles		
Vertical Vent Pipe	1" (26 mm)	
Horizontal Vent Pipe	Top - 3" (77 mm) Sides - 1" (26 mm) Bottom - 1" (26 mm)	



Minimum Clearances



Minimum Clearances - Inches (millimeters)	
Back / Sides	0 (0) Spacers
Floor	0 (0)
Bottom of Appliance To Ceiling	72 (1829)
Vent	3 (76) Top, 1 (25) Sides & Bottom

NOTE: Diagrams, illustrations and photographs are not to scale – consult installation instructions. Product designs, materials, dimensions, specifications, colors and prices are subject to change or discontinuance without notice.