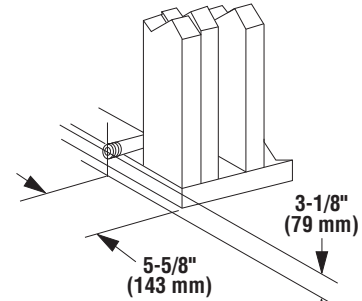
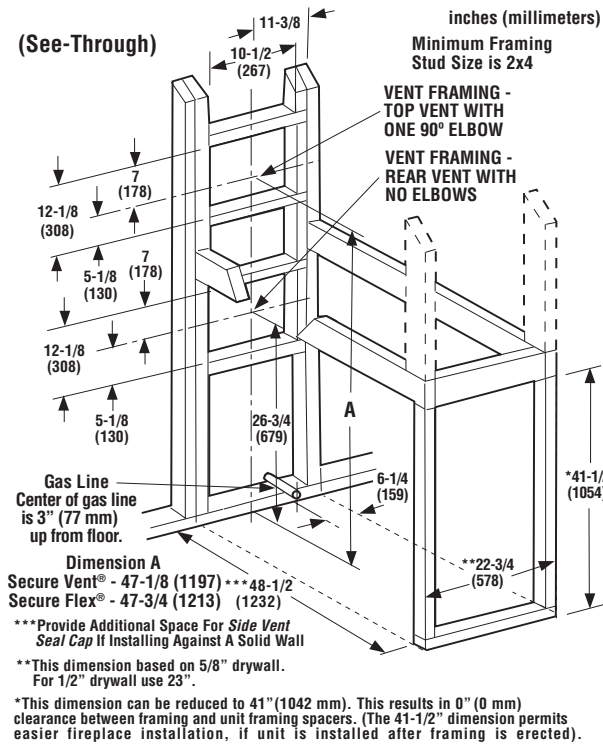


# LIBRA 40ST

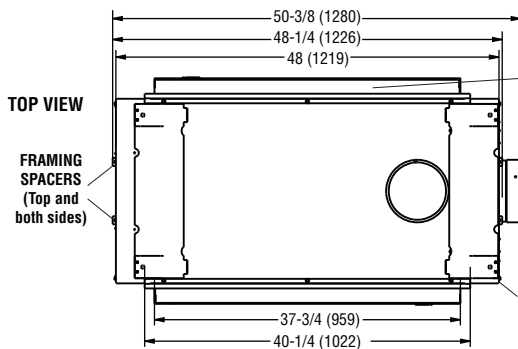
## Appliance Specifications

## DIRECT-VENT FIREPLACES

Framing Dimensions

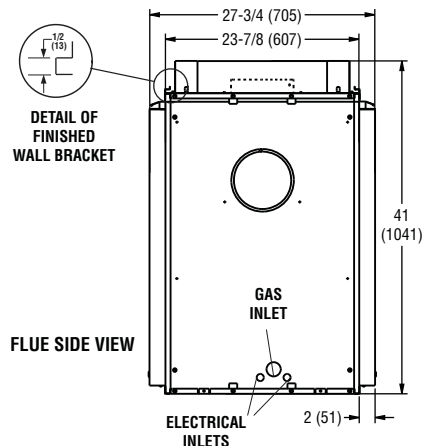
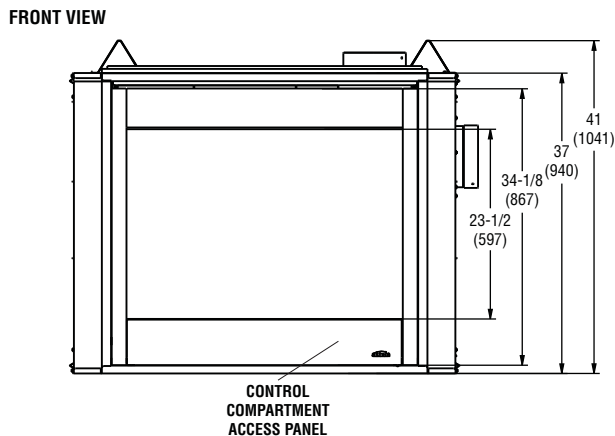
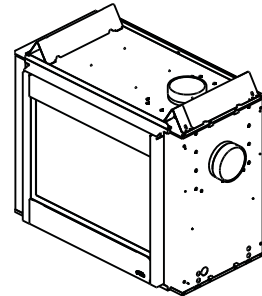


Fireplace Dimensions



FINISHED WALL BRACKET (Front and back edge of unit top)

**NOTE:** Unit has a factory-installed vent seal cap and vent cover plate in each flue outlet. The vent seal cap is not shown in this figure.



Inches (millimeters)

# LIBRA 40ST

Product Info

Product Reference Information			
Cat. No.	Model	Shipping Weight	Shipping Volume
F1585	Libra 40STDMN	291 lbs.	42.0 cu.ft.
F1586	Libra 40STDMP	291 lbs.	42.0 cu.ft.
F1587	Libra 40STDEN	291 lbs.	42.0 cu.ft.

Listing



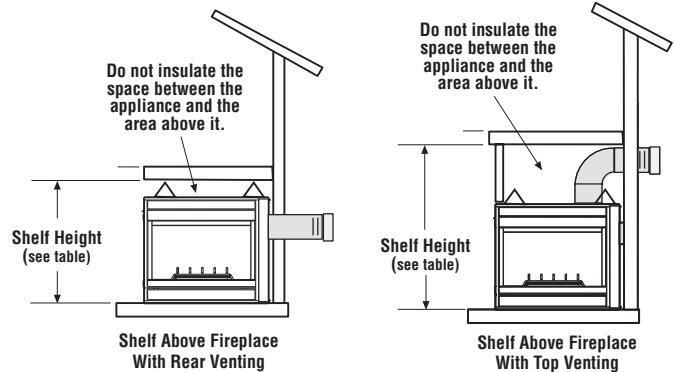
Report No. 14-171

These appliances comply with National Safety Standards and are tested and listed by PFS to ANSI Z21.88 (in Canada, CSA-2.33), and CAN/CGA-2.17-M91, latest editions, in both USA and Canada, as vented gas fireplace heaters.

Shelf Height

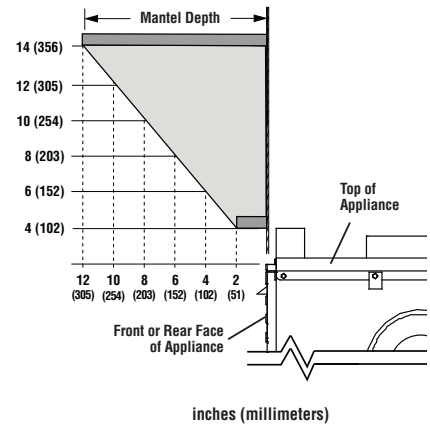
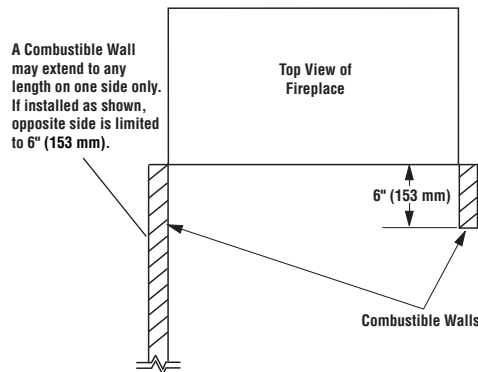
Model	Combustible Shelf Height - Inches (millimeters)			
	Rear Vent - Straight Out the Back		Top Vent - with One 90° Elbow	
	Secure Vent®	Secure Flex®	Secure Vent	Secure Flex
Libra 40ST	41-1/8 (1045)	41-1/8 (1045)	53-7/8 (1368)	55-5/8 (1413)

Inches (millimeters)



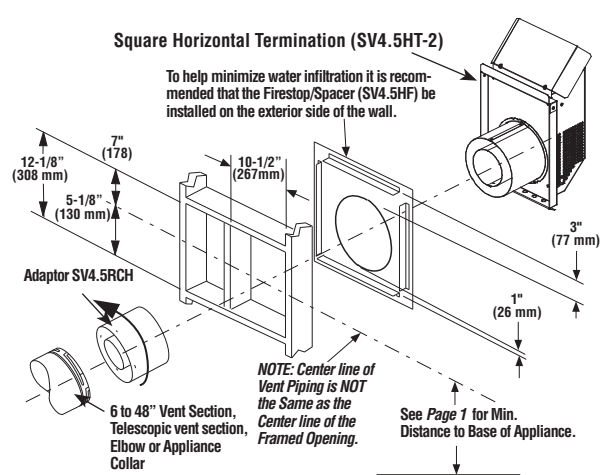
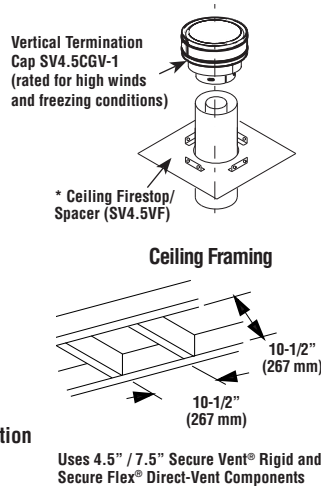
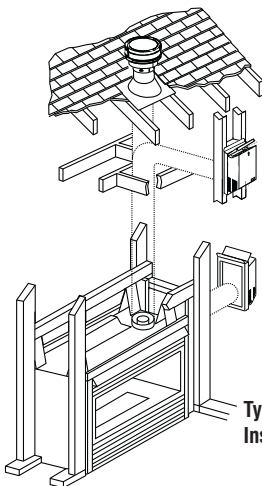
Clearances

Minimum Clearances Inches (millimeters)	
Back & Sides	1/2 (13) 0 (0) from Spacers or Dimples
Top Spacers	0 (0)
Floor	0 (0)
From Bottom of Unit To Ceiling	64 (1626)
Vent	3 (77) Top* / 1 (26) Sides & Bottom
Service Clearances - Feet (meters)	
Front, Back & Sides	3 feet (0.9 meters)



\*NOTE: 3" (77 mm) above any horizontal/ inclined vent component.

Venting



NOTE: DIAGRAMS & ILLUSTRATIONS NOT TO SCALE.

Printed in U.S.A. © 2016 Innovative Hearth Products  
P/N 900661-00 REV. NC 04/2016



Specifications and clearances are subject to change without notice. Refer to Installation Manual before installation of these appliances for updated dimensions and instructions.

Page 2 of 2