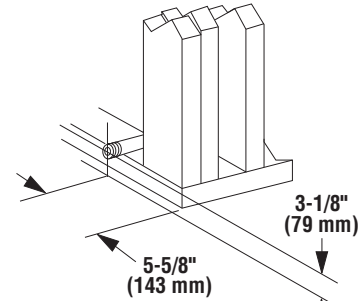
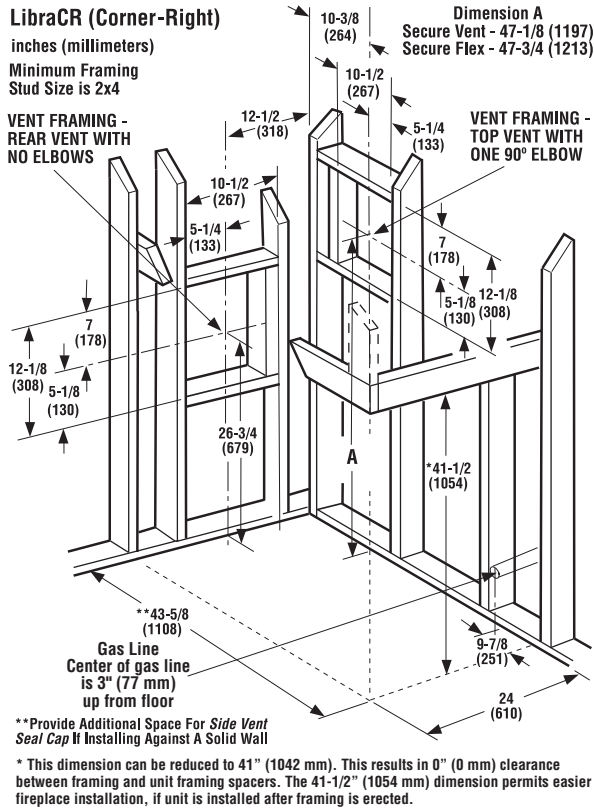


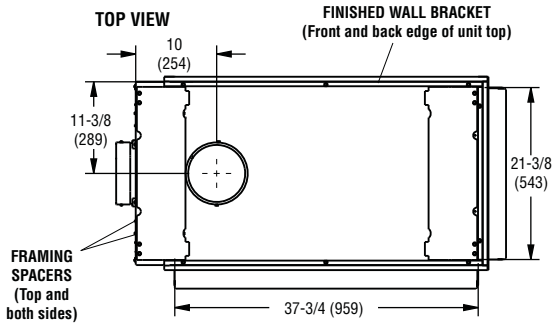
# LIBRA 40CR

## DIRECT-VENT FIREPLACES

Framing Dimensions

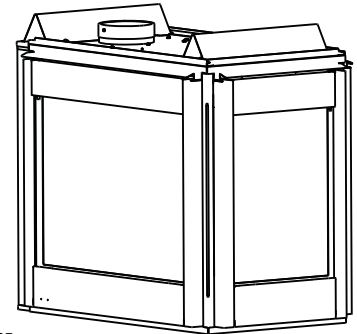


Route a 1/2" (13 mm) gas line to the right side of the appliance as shown

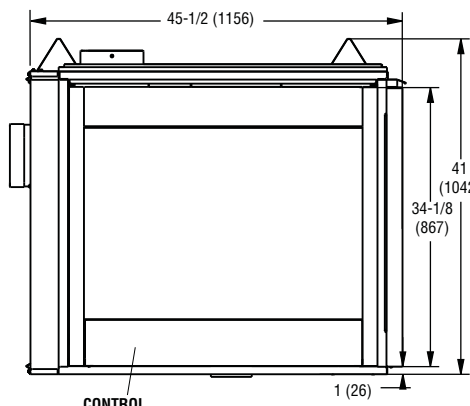
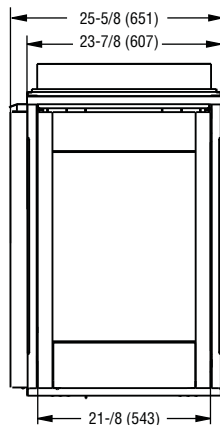


Inches (millimeters)

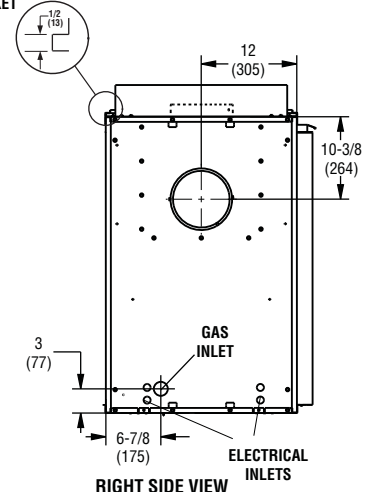
**NOTE:** Unit has a factory-installed vent seal cap and vent cover plate in each flue outlet. The vent seal cap is not shown in this figure.



Fireplace Dimensions



**DETAIL OF FINISH WALL BRACKET**



Inches (millimeters)

# LIBRA 40CR

Product Info

Product Reference Information			
Cat. No.	Model	Shipping Weight	Shipping Volume
F1594	LIBRA 40CRDMN	299 lbs.	42.0 cu.ft.
F1595	LIBRA 40CRDMP	299 lbs.	42.0 cu.ft.
F1596	LIBRA 40CRDEN	299 lbs.	42.0 cu.ft.

Listing

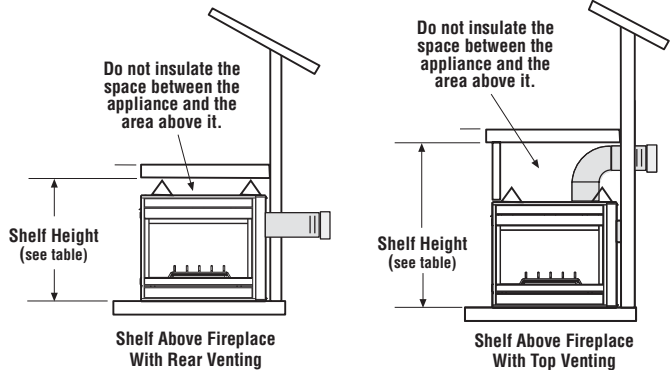


Report No. 14-171

These appliances comply with National Safety Standards and are tested and listed by PFS to ANSI Z21.88 (in Canada, CSA-2.33), and CAN/CGA-2.17-M91, latest editions, in both USA and Canada, as vented gas fireplace heaters.

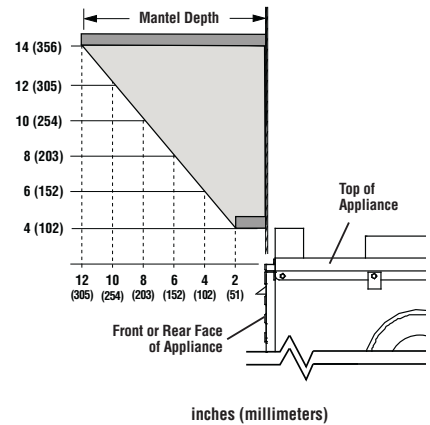
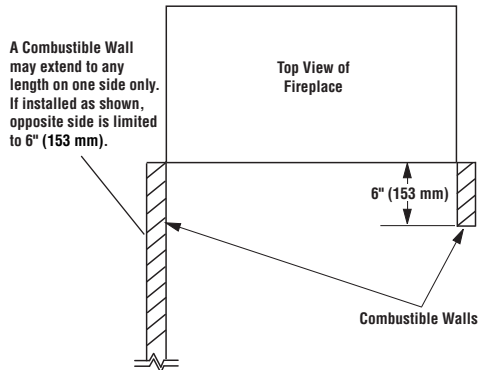
Shelf Height

Model	Combustible Shelf Height - Inches (millimeters)			
	Top Vent - with One 90° Elbow		Rear Vent - Straight Out the Back	
	Secure Vent®	Secure Flex®	Secure Vent	Secure Flex
LIBRA 40CR	53-7/8 (1368)	55-5/8 (1413)	41-1/8 (1045)	41-1/8 (1045)



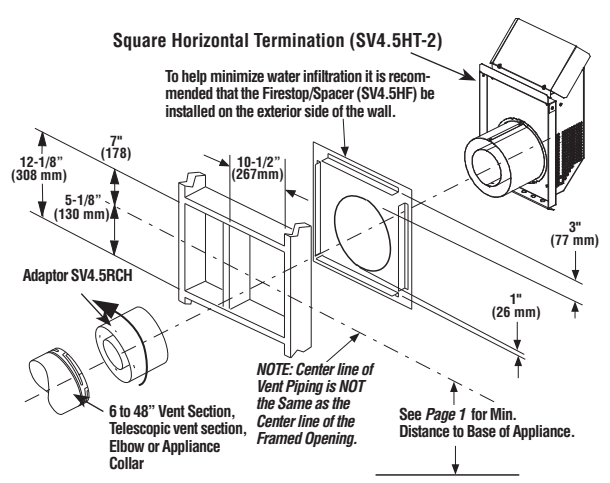
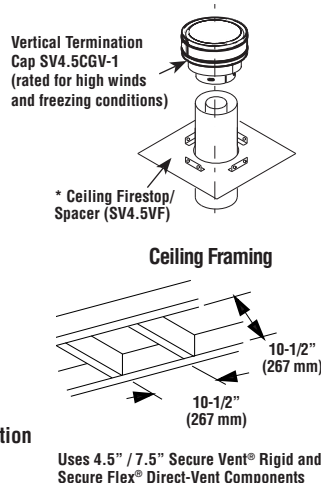
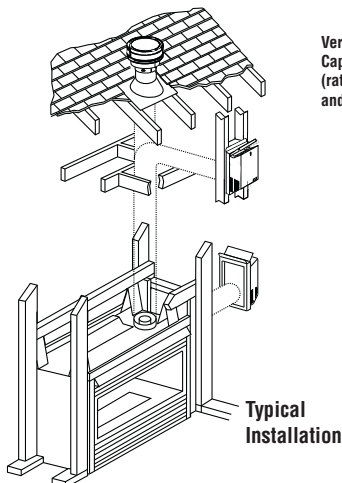
Clearances

Minimum Clearances Inches (millimeters)	
Back & Sides	1/2 (13) 0 (0) from Spacers or Dimples
Top Spacers	0 (0)
Floor	0 (0)
From Bottom of Unit To Ceiling	64 (1626)
Vent	3 (77) Top* / 1 (26) Sides & Bottom
Service Clearances - Feet (meters)	
Front, Back & Sides	3 feet (0.9 meters)



\*NOTE: 3" (77 mm) above any horizontal/ inclined vent component.

Venting



NOTE: DIAGRAMS & ILLUSTRATIONS NOT TO SCALE.

Printed in U.S.A. © 2016 Innovative Hearth Products  
P/N 900661-02 REV. NC 05/2016



Specifications and clearances are subject to change without notice. Refer to Installation Manual before installation of these appliances for updated dimensions and instructions.

Page 2 of 2