

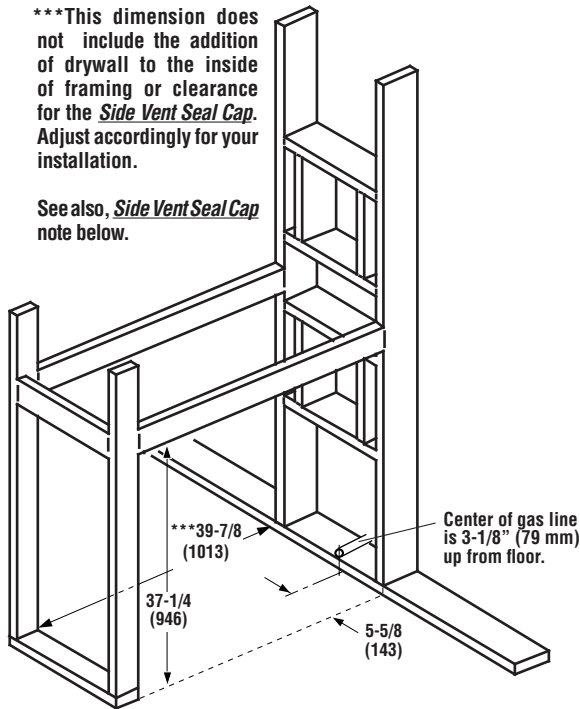
EROS™ ST

DIRECT-VENT SEE-THROUGH FIREPLACES

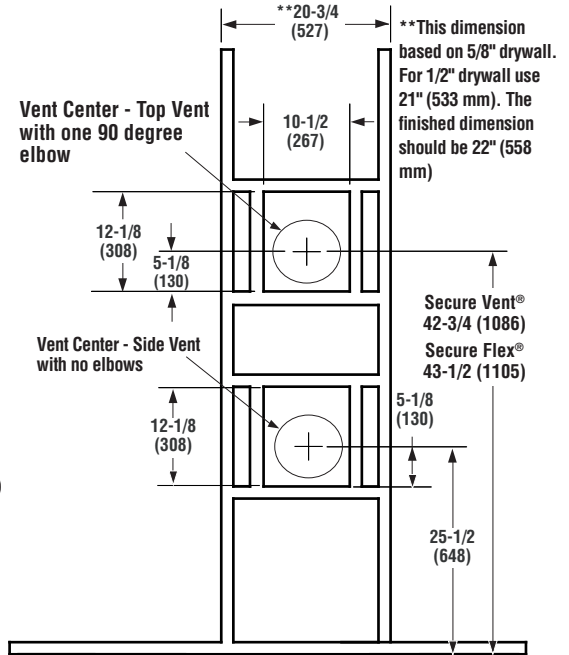
Fireplace Framing Specifications

***This dimension does not include the addition of drywall to the inside of framing or clearance for the *Side Vent Seal Cap*. Adjust accordingly for your installation.

See also, *Side Vent Seal Cap* note below.

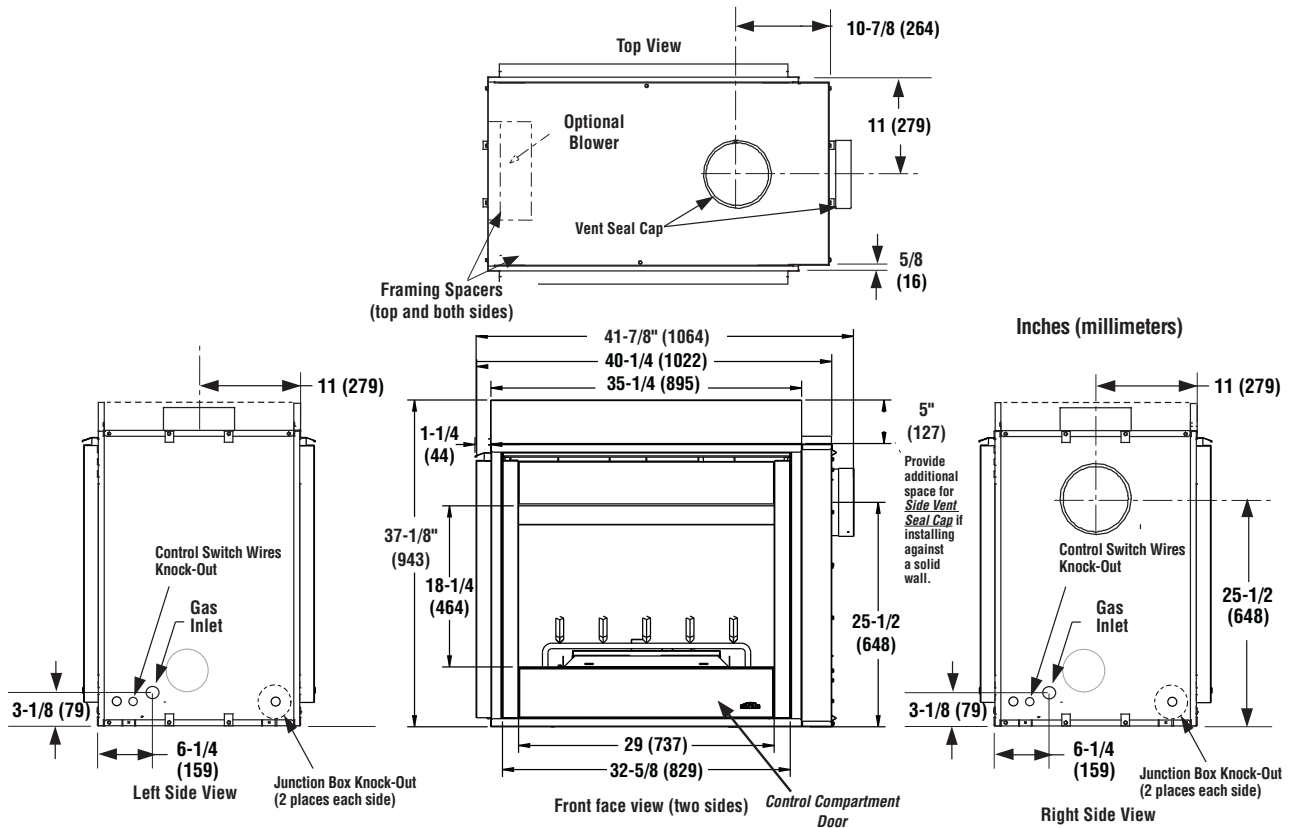


- Notes:
- Inches (millimeters)
 - Minimum Framing Stud Size is 2 x 4
 - See side views of fireplace below for gas line inlet location options.



Framing Dimensions

Fireplace Dimensions



EROS™ ST

Product Info

Product Reference Information			
Cat. No.	Model	Shipping Weight	Shipping Volume
F1660	Eros 35STD MN	194 lbs.	28.4 cu.ft.
F1661	Eros 35STD MP	194 lbs.	28.4 cu.ft.
F1662	Eros 35STD EN	194 lbs.	28.4 cu.ft.

Listing



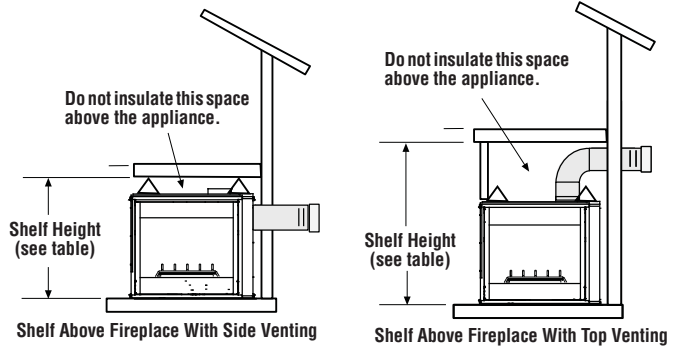
Report No. F14-165

These appliances comply with National Safety Standards and are tested and listed by PFS to ANSI Z21.88 (in Canada, CSA-2.33), and CAN/CGA-2.17-M91, latest editions, in both USA and Canada, as vented gas fireplace heaters.

Shelf Height

Model No.	Shelf Height - Inches (millimeter)		
	Side Vent - Straight Out Back	Top Vent - with One 90 Degree Elbow	
	Secure Vent® & Secure Flex®	Secure Vent	Secure Flex
Eros 35ST	37-1/4 (947)	49-1/2 (1258)*	51-1/4 (1302)*

* Includes 3" clearance to combustibles (required above vent components)



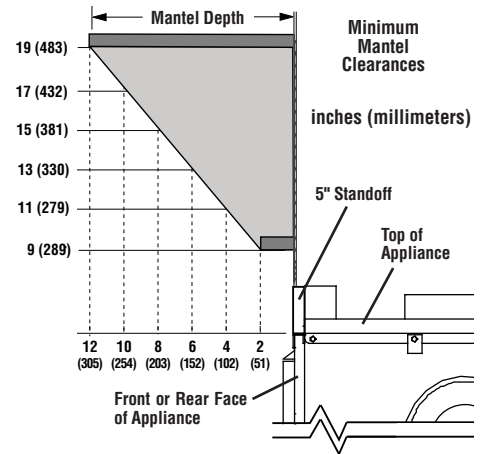
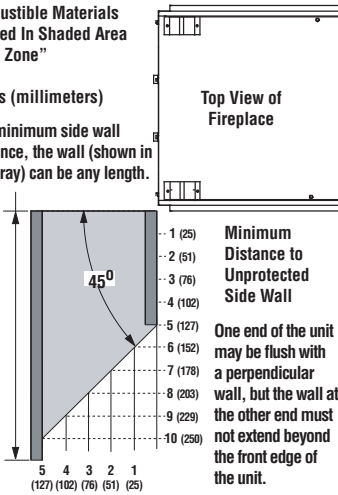
Clearances

Minimum Clearances Inches (millimeters)	
Sides	1/2 (13) 0 (0) from Spacers or Dimples
Top of Appliance	5 (127)
Floor	0 (0)
From Bottom of Unit To Ceiling	72 (1829)
Vent	3 (77) Top* / 1 (26) Sides & Bottom
Service Clearances - Feet (meters)	
Front, Back & Sides	3 feet (0.9 meters)

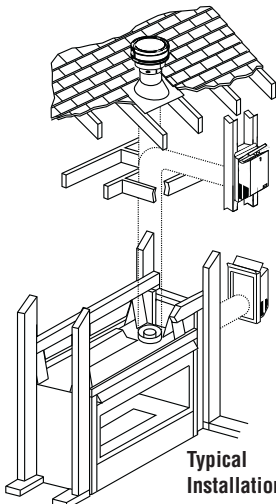
*NOTE: 3" (77 mm) above any horizontal/ inclined vent component.

Combustible Materials Allowed in Shaded Area "Safe Zone"

Inches (millimeters)
At 5" minimum side wall clearance, the wall (shown in dark gray) can be any length.



Venting



NOTE: DIAGRAMS & ILLUSTRATIONS NOT TO SCALE.

