

# EROS™ PF

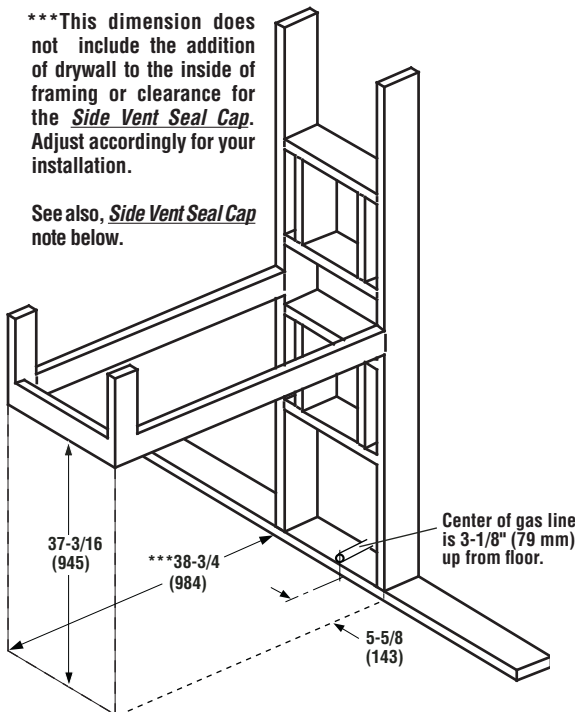
## DIRECT-VENT PENINSULA FIREPLACES

### Fireplace Framing Specifications

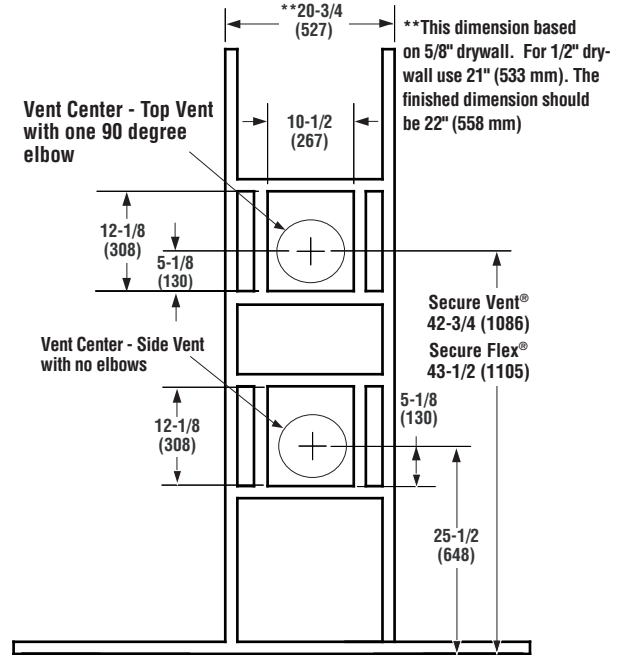
Framing Dimensions

\*\*\*This dimension does not include the addition of drywall to the inside of framing or clearance for the *Side Vent Seal Cap*. Adjust accordingly for your installation.

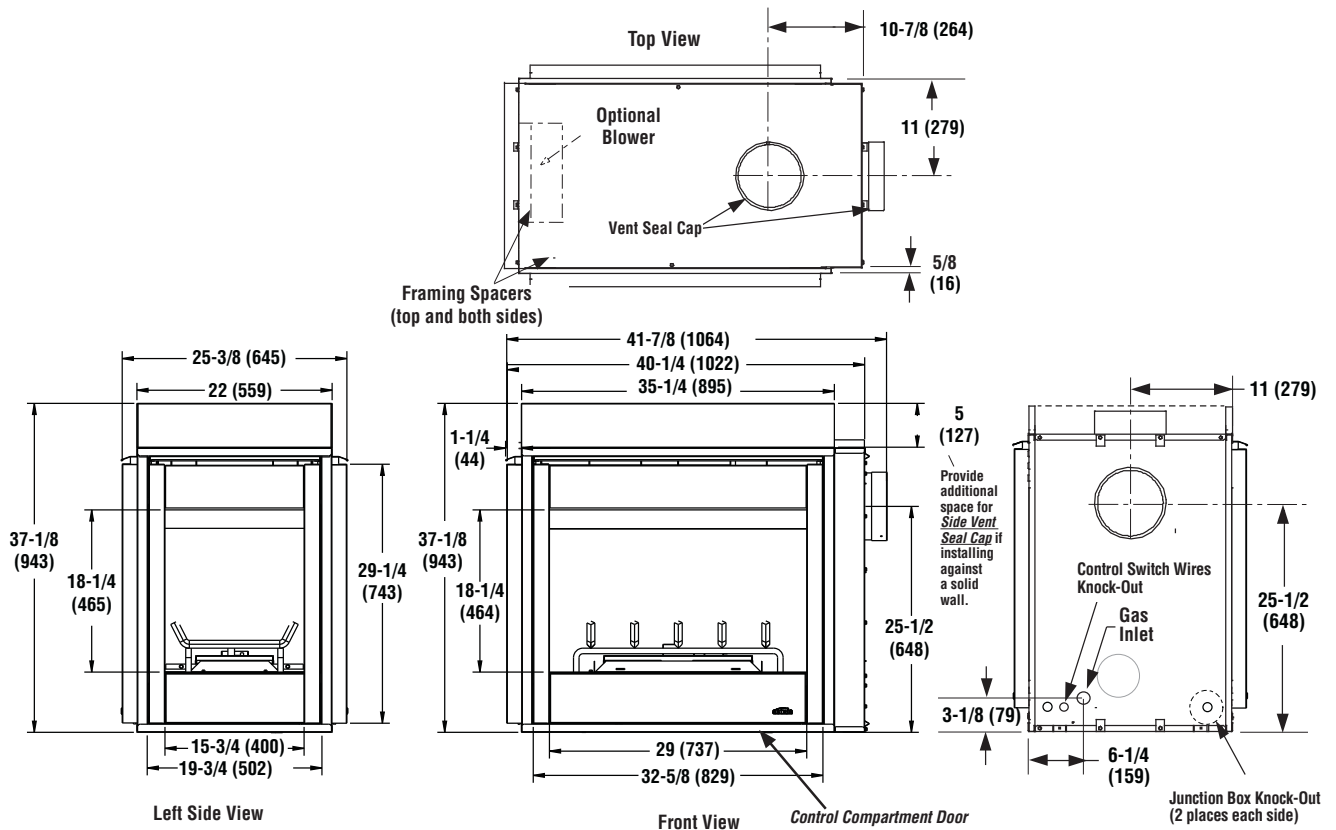
See also, *Side Vent Seal Cap* note below.



- Notes:
- Inches (millimeters)
  - Minimum Framing Stud Size is 2 x 4
  - See side views of fireplace below for gas line inlet location options.



Fireplace Dimensions



# EROS™ PF

## Product Info

Product Reference Information			
Cat. No.	Model	Shipping Weight	Shipping Volume
F1663	Eros 35PFDMN	220 lbs.	30.0 cu.ft.
F1664	Eros 35PFDMN	220 lbs.	30.0 cu.ft.
F1665	Eros 35PFDEN	220 lbs.	30.0 cu.ft.

Listing



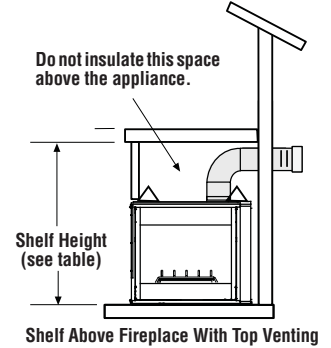
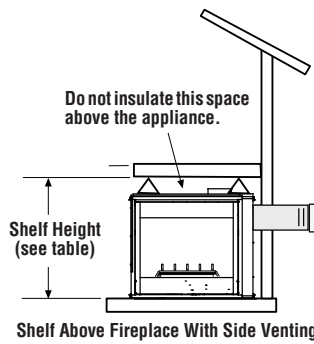
Report No. F14-165

These appliances comply with National Safety Standards and are tested and listed by PFS to ANSI Z21.88 (in Canada, CSA-2.33), and CAN/CGA-2.17-M91, latest editions, in both USA and Canada, as vented gas fireplace heaters.

## Shelf Height

Model No.	Shelf Height - Inches (millimeter)		
	Side Vent - Straight Out Back	Top Vent - with One 90 Degree Elbow	
	Secure Vent® & Secure Flex®	Secure Vent	Secure Flex
Eros 35PF	37-1/4 (947)	49-1/2 (1258)*	51-1/4 (1302)*

\* Includes 3" clearance to combustibles (required above vent components)



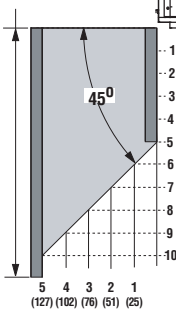
## Clearances

Minimum Clearances Inches (millimeters)	
Sides	1/2 (13) 0 (0) from Spacers or Dimples
Top of Appliance	5 (127)
Floor	0 (0)
From Bottom of Unit To Ceiling	72 (1829)
Vent	3 (77) Top* / 1 (26) Sides & Bottom
Service Clearances - Feet (meters)	
Front, Back & Sides	3 feet (0.9 meters)

\*NOTE: 3" (77 mm) above any horizontal/ inclined vent component.

Combustible Materials Allowed in Shaded Area "Safe Zone"

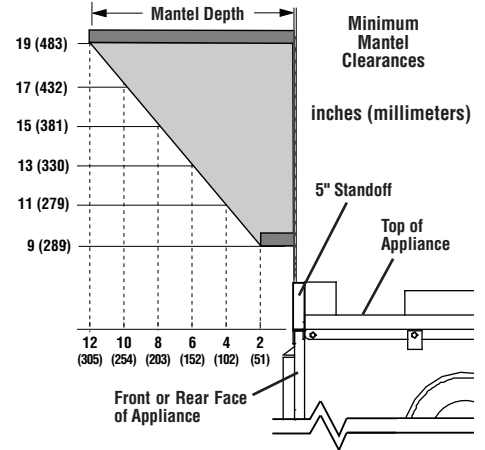
Inches (millimeters)  
At 5" minimum side wall clearance, the wall (shown in dark gray) can be any length.



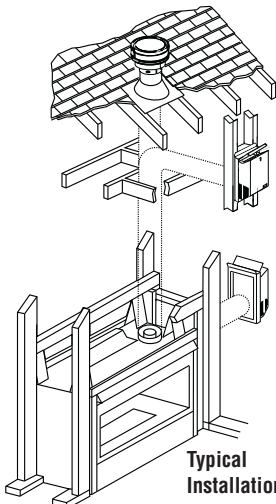
Top View of Fireplace

Minimum Distance to Unprotected Side Wall

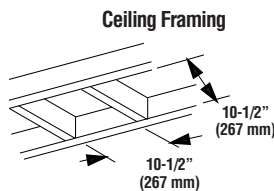
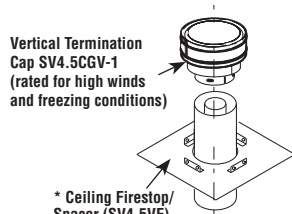
One end of the unit may be flush with a perpendicular wall, but the wall at the other end must not extend beyond the front edge of the unit.



## Venting



NOTE: DIAGRAMS & ILLUSTRATIONS NOT TO SCALE.



Uses 4.5" / 7.5" Secure Vent® Rigid and Secure Flex® Direct-Vent Components

### Square Horizontal Termination (SV4.5HT-2)

To help minimize water infiltration it is recommended that the Firestop/Spacer (SV4.5HF) be installed on the exterior side of the wall.

