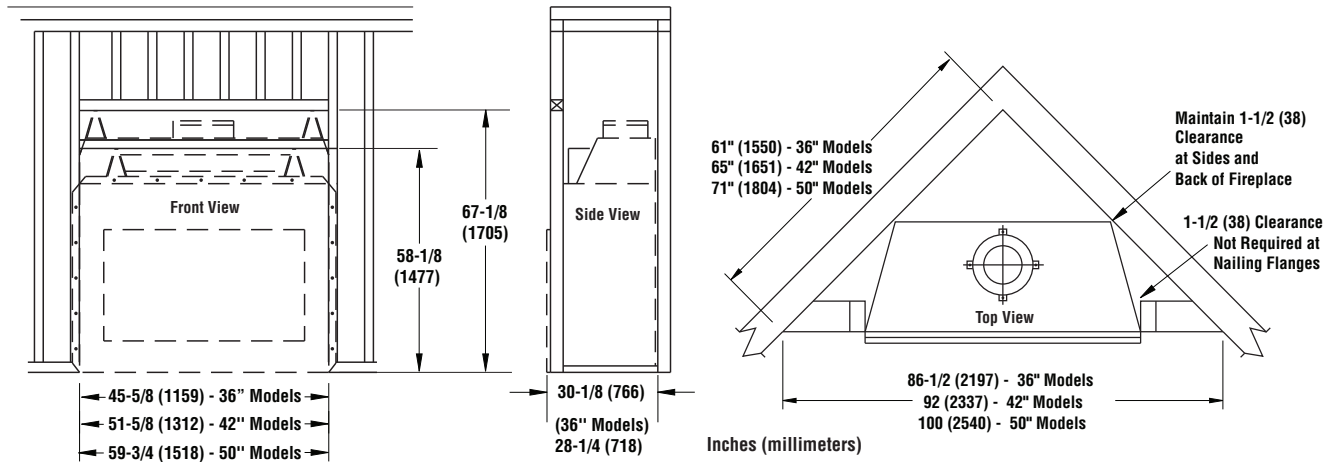


ORACLE™ 36/42/50 SERIES

OUTDOOR WOOD-BURNING FIREPLACES

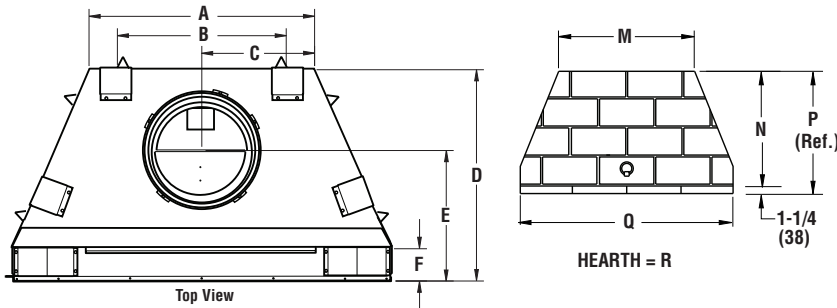
Framing Dimensions



Parallel Framing Dimensions

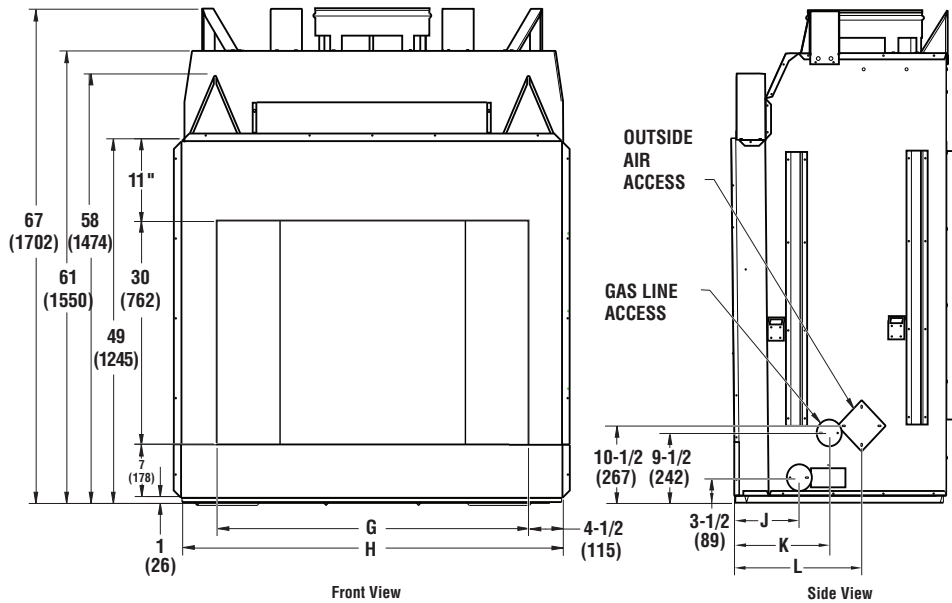
Corner Framing Dimensions

Inches (millimeters)



	36" Model	42" Model	50" Model
A	29 (737)	30-1/2 (775)	38-1/2 (978)
B	22-1/2 (572)	22-3/4 (578)	24 (610)
C	14-1/2 (369)	15-3/4 (400)	19-1/4 (489)
D	26-5/8 (677)	29 (737)	28-1/2 (724)
E	15-5/8 (397)	17-5/8 (448)	17-5/8 (448)
F	4-1/2 (115)	4-3/8 (111)	4-3/8 (111)
G	36 (915)	42 (1067)	50 (1270)
H	45-1/8 (1147)	51-1/8 (1299)	59-1/4 (1505)
J	7-1/4 (1842)	8-1/2 (216)	8-1/2 (216)
K	11 (280)	13 (331)	13 (331)
L	15-1/4 (388)	17 (432)	17 (432)
M	22-1/2 (572)	26-3/8 (670)	34-3/8 (873)
N	19 (483)	21-3/4 (553)	21-3/4 (553)
P	20-1/4 (515)	23 (584)	23 (584)
Q	35-1/4 (896)	41-3/8 (1051)	49-3/8 (1254)
R	36 (915)	42 (1067)	50 (1270)

Fireplace Dimensions



ORACLE™ 36/42/50 SERIES

Product Information

Product Reference Information			
Cat. No.	Model	Shipping Weight	Shipping Volume
F0538	OracleCat42	650 lb.	131.5 cu. ft.
F0539	OracleCat50	715 lb.	131.5 cu. ft.
F0535	Oracle36	520 lb.	131.5 cu. ft.
F0536	Oracle42	645 lb.	131.5 cu. ft.
F0537	Oracle50	710 lb.	131.5 cu. ft.

Listing Information



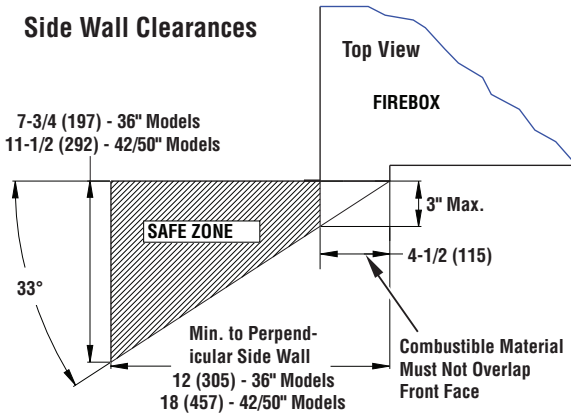
Report No. 09-095

These fireplaces have been tested and approved by PFS Corporation under UL127/ ULC-S610 standard as a Factory Built Appliance and may be used with gas logs approved to ANSI Z21.60, Z21.84 or Z21.11.2 standards.

Clearances

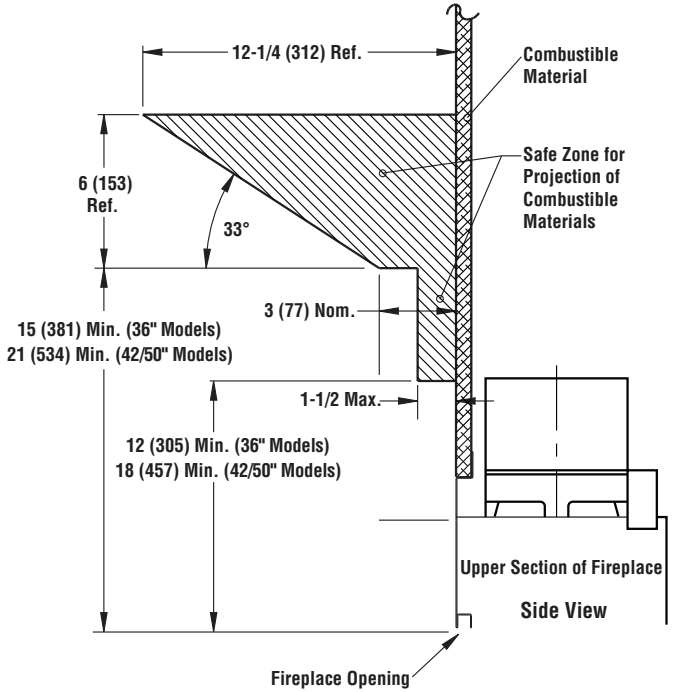
Clearances to Combustibles	
Description	Min. Clearance
Back and sides of fireplace	1-1/2 (38)
Ceiling	42 (1067)
Front of fireplace	48 (1220)
Floor**	0 (0)
Perpendicular wall to opening 42" & 50" models	18 (457)
Perpendicular wall to opening 36" models	12 (305)
Top spacers	0 (0)
Chimney outer pipe surface 42" & 50" models	2 (51)
Chimney outer pipe surface 36" models	1 (26)

Side Wall Clearances



Inches (millimeters)

Mantel Clearances



Venting

Uses 12" Standard Wood-Burning Chimney (12DM) in USA.
Uses 12" Hi-Temp Wood-Burning Chimney (12HT) in Canada.

Venting

Typical Installations

