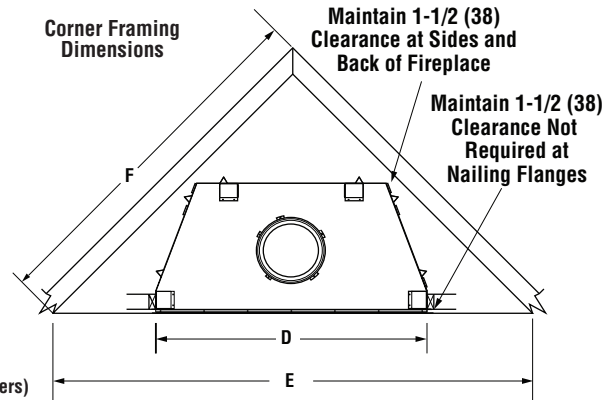
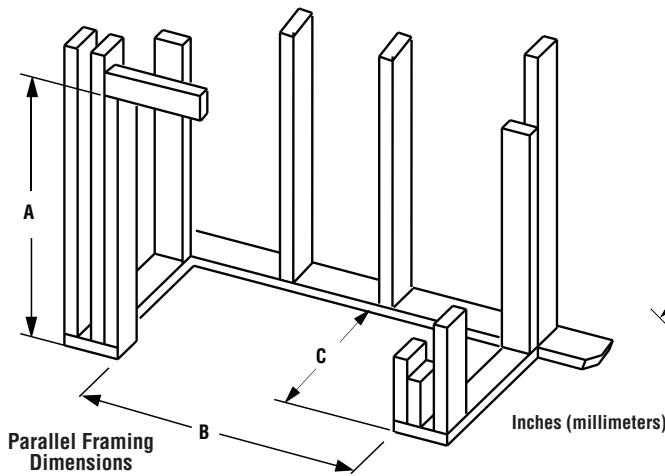


# GEORGIAN™ 36/42/50 SERIES

## WOOD-BURNING FIREPLACES

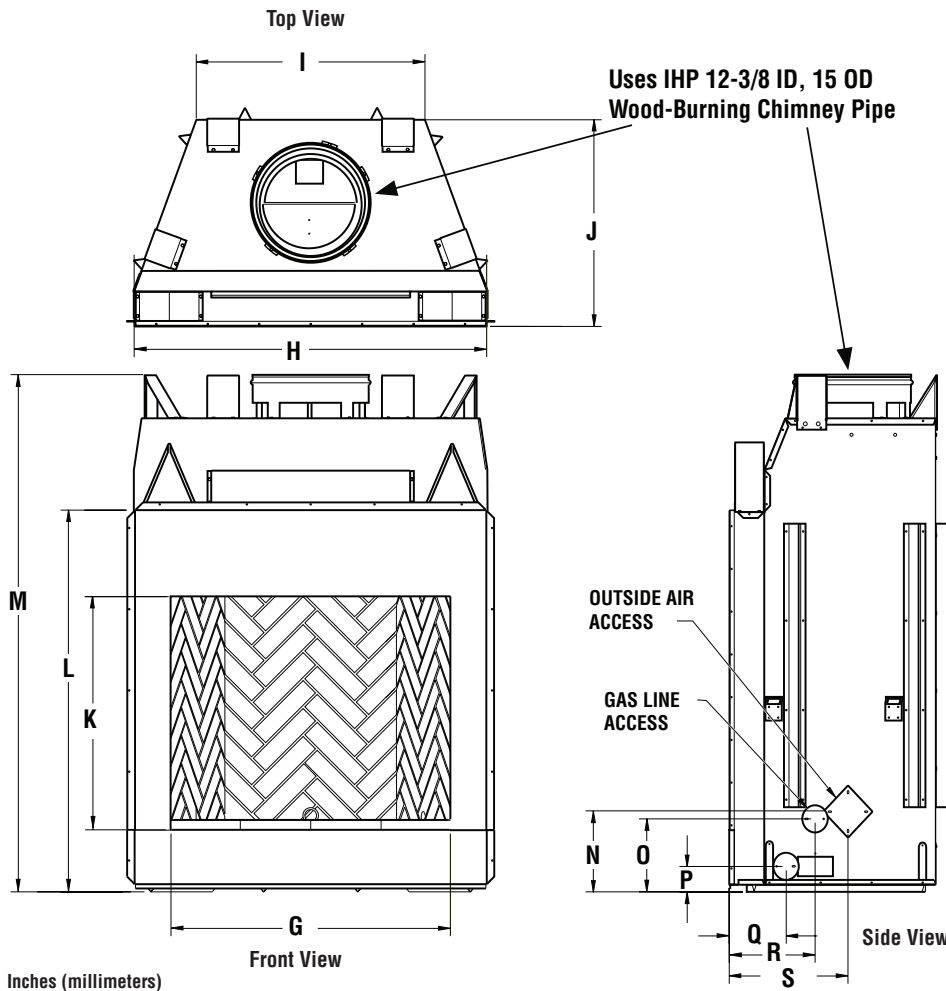
Framing Dimensions



	36" Models	42" Models	50" Models
<b>A</b>	67-1/8 (1705)	67-1/8 (1705)	67-1/8 (1705)
<b>B</b>	45-5/8 (1159)	51-5/8 (1312)	59-3/4 (1518)
<b>C</b>	28-1/4 (718)	30-1/8 (766)	30-1/8 (766)

	36" Models	42" Models	50" Models
<b>D</b>	45-1/4 (1150)	51-1/4 (1302)	59-1/4 (1505)
<b>E</b>	86-1/2 (2197)	92 (2337)	100 (2540)
<b>F</b>	61 (1550)	65 (1651)	71 (1804)

Fireplace Dimensions



	36" Model	42" Model	50" Model
<b>G</b>	36 (915)	42 (1067)	50 (1270)
<b>H</b>	45-1/8 (1147)	51-1/8 (1299)	59-1/4 (1505)
<b>I</b>	29 (737)	30-1/2 (775)	38-1/2 (978)
<b>J</b>	26-5/8 (677)	29 (737)	29 (737)
<b>K</b>	30 (762)	30 (762)	30 (762)
<b>L</b>	49 (1245)	49 (1245)	49 (1245)
<b>M</b>	67 (1702)	67 (1702)	67 (1702)
<b>N</b>	10-1/2 (267)	10-1/2 (267)	10-1/2 (267)
<b>O</b>	9-1/2 (242)	9-1/2 (242)	9-1/2 (242)
<b>P</b>	3-1/2 (89)	3-1/2 (89)	3-1/2 (89)
<b>Q</b>	7-1/4 (185)	8-1/2 (216)	8-1/2 (216)
<b>R</b>	11 (280)	13 (331)	13 (331)
<b>S</b>	15-1/4 (388)	17 (432)	17 (432)

# GEORGIAN™ 36/42/50 SERIES

Product Information

Product Reference Information			
Cat. No.	Model	Shipping Weight	Shipping Volume
F0696	GeorgianCat42	665 lb.	131.5 cu. ft.
F0697	GeorgianCat50	775 lb.	131.5 cu. ft.
F0693	Georgian36	580 lb.	131.5 cu. ft.
F0694	Georgian42	660 lb.	131.5 cu. ft.
F0695	Georgian50	750 lb.	131.5 cu. ft.

Listing Information



Report No. F09-095

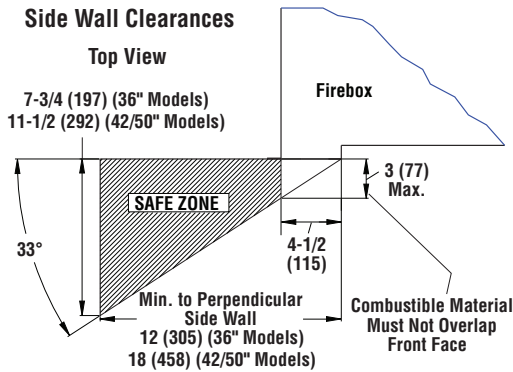
These fireplaces have been tested and approved by PFS Corporation under UL127/ ULC-S610 standard as a Factory Built Appliance and may be used with gas logs approved to ANSI Z21.60, Z21.84 or Z21.11.2 standards.

Clearances

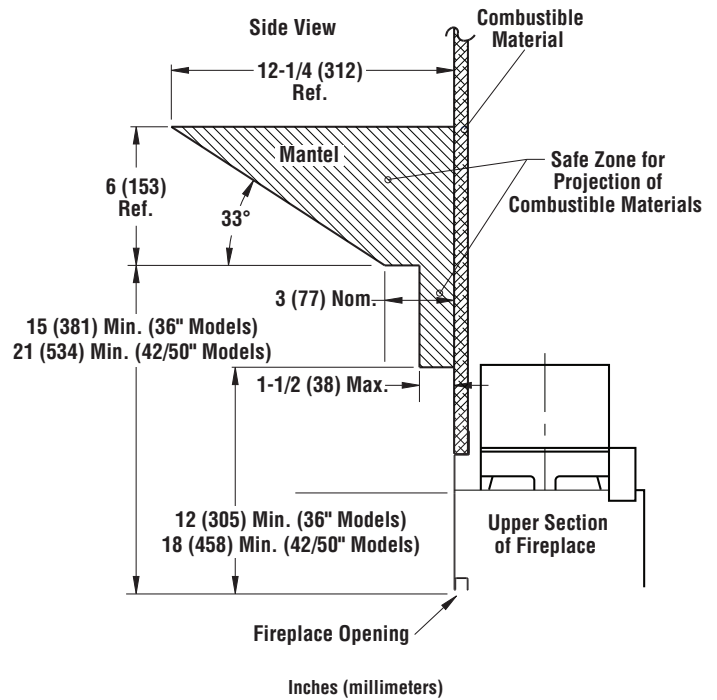
Clearances to Combustibles	
Description	Min. Clearance
Back and sides of fireplace	1-1/2 (38)*
Ceiling	42 (1067)
Front of fireplace	48 (1220)
Floor	0 (0)**
Perpendicular wall to opening (42" & 50" Models)	18 (458)
Perpendicular wall to opening (36" Models)	12 (305)
Top spacers	0 (0)
Chimney outer pipe surface (42" & 50" Models)	2 (51)
Chimney outer pipe surface (36" Models)	1 (26)

\* Not required at nailing flanges

\*\* See step 2 of Framing in the Installation and Operation Manual



## Mantel Clearances



Venting

**Venting**  
Uses Standard (12DM) and Hi-Temp (12HT) Wood-Burning Chimney and Hi-Temp (12HT) Wood-Burning Chimney

