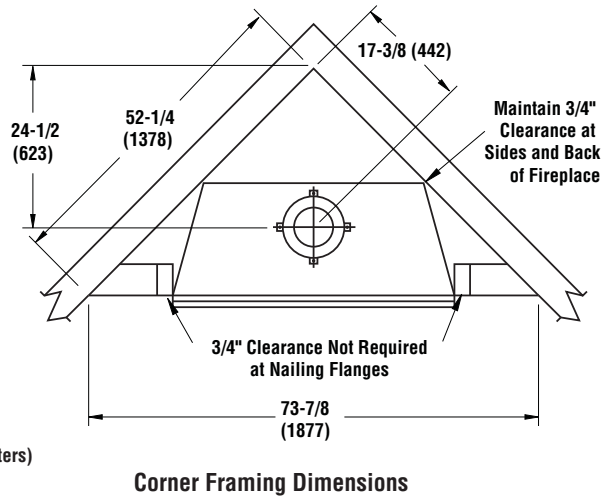
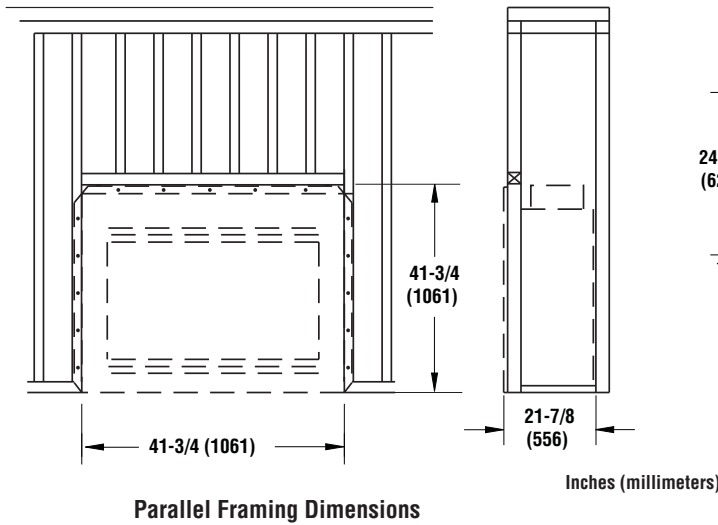


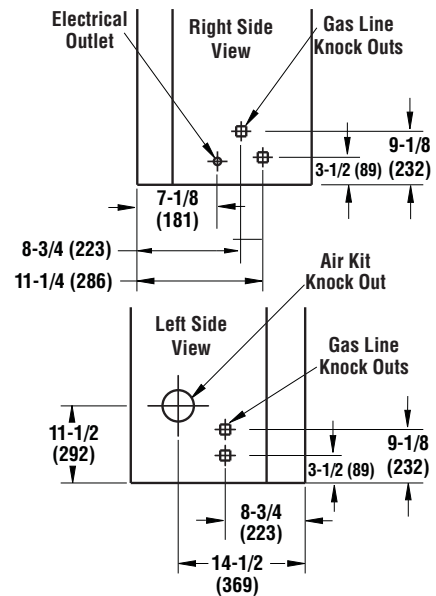
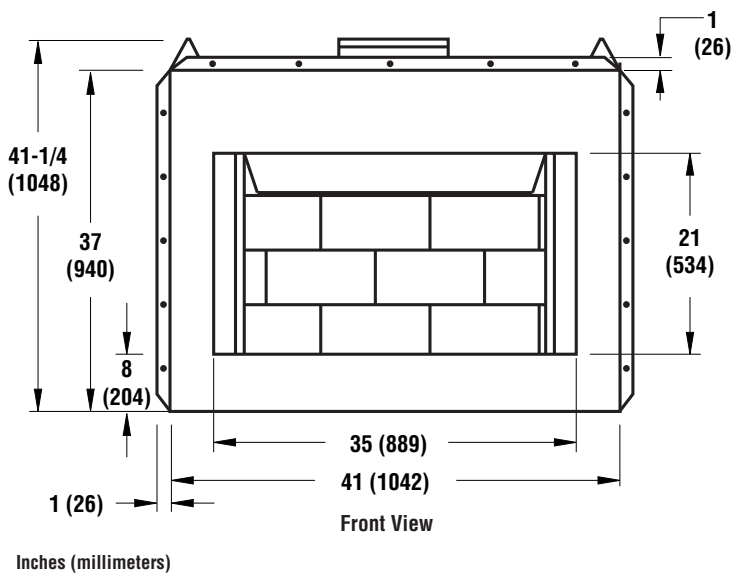
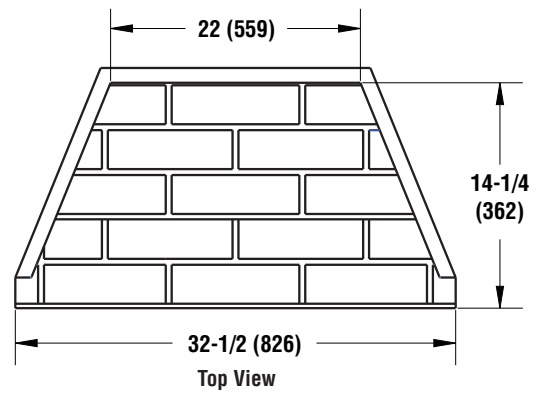
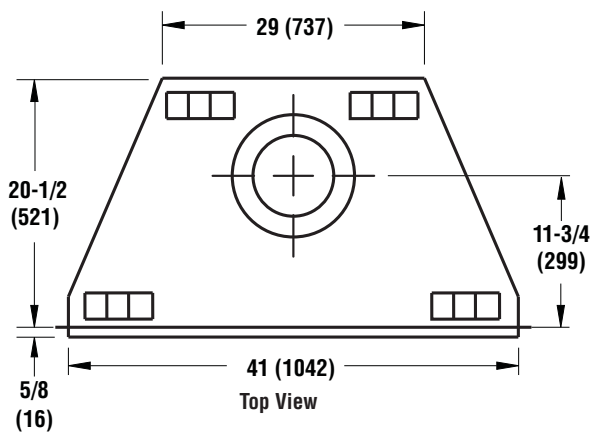
WRE3836 SERIES

CATALYTIC OUTDOOR WOOD-BURNING FIREPLACES

Framing Dimensions



Fireplace Dimensions



NOTE: DIAGRAMS & ILLUSTRATIONS ARE NOT TO SCALE.

WRE3836 SERIES

Product Information

Product Reference Information			
Cat. No.	Model	Shipping Weight	Shipping Volume
F0457	WRE3836WS	189 lb.	23.8 cu. ft.
F0458	WRE3836WH	189 lb.	23.8 cu. ft.
F0459	WRE3836RS	189 lb.	23.8 cu. ft.
F0460	WRE3836RH	189 lb.	23.8 cu. ft.

Listing Information

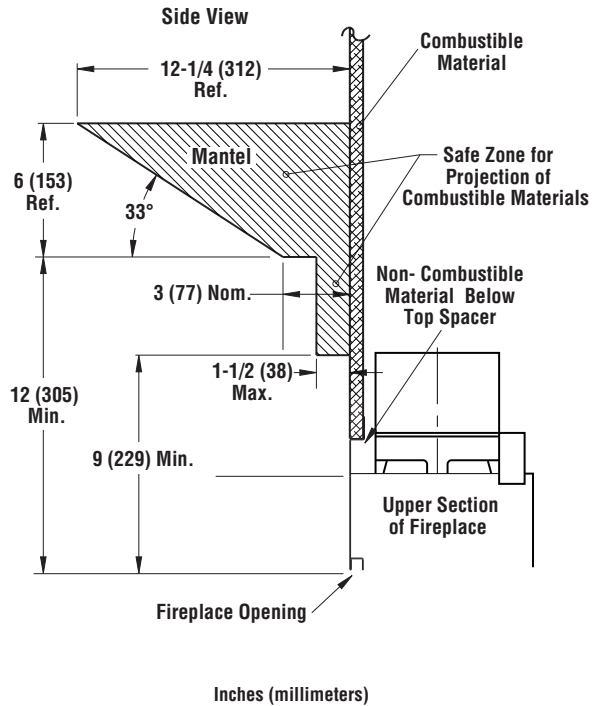


This fireplace has been tested and approved by PFS Corporation under UL127/ULC-S610 standard as a Factory Built Appliance and may be used with gas logs approved to ANSI Z21.60, Z21.84 or Z21.11.2 standards.

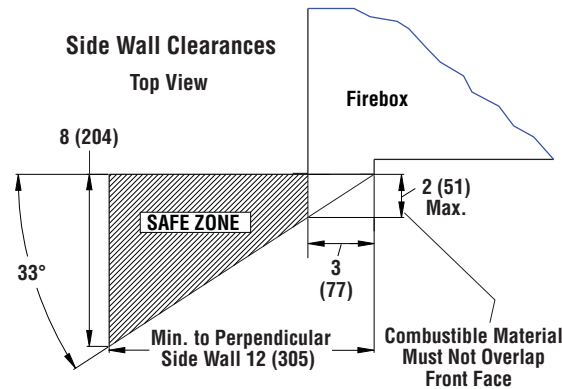
Clearances to Combustibles	
Description	Min. Clearance
Ceiling	40 (1016)
Back and sides of fireplace	3/4 (19)*
Floor	0 (0)**
Perpendicular wall to opening	12 (305)
Top spacers	0 (0)
Chimney outer pipe surface	1 (26)

* Not required at nailing flanges
 ** See step 2 of Framing in the Installation and Operation Manual

Mantel Clearances



Clearances



Venting

Venting
 Uses Standard Wood Burning Chimney (8DM)

