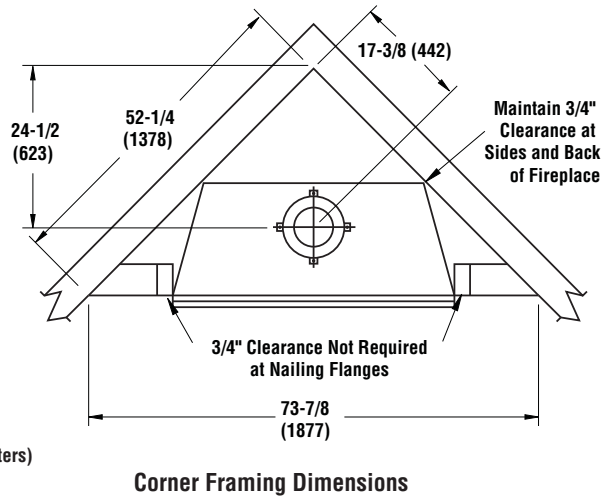
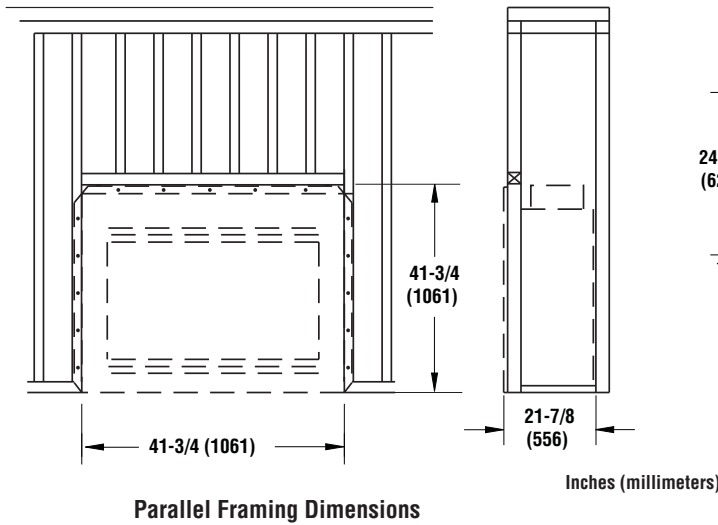


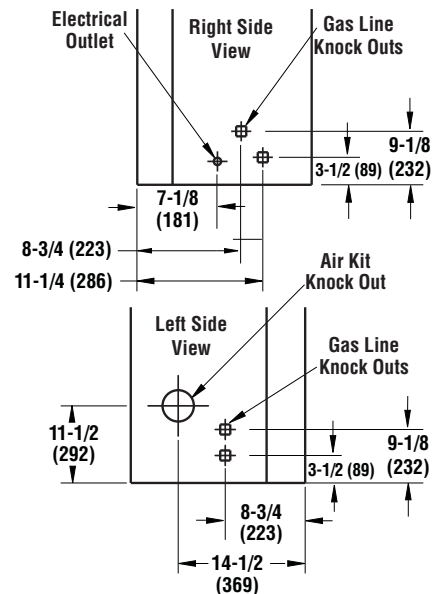
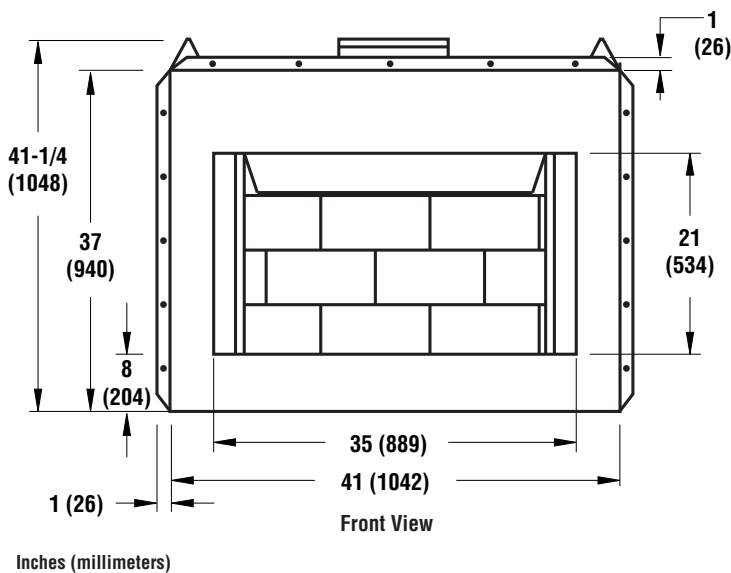
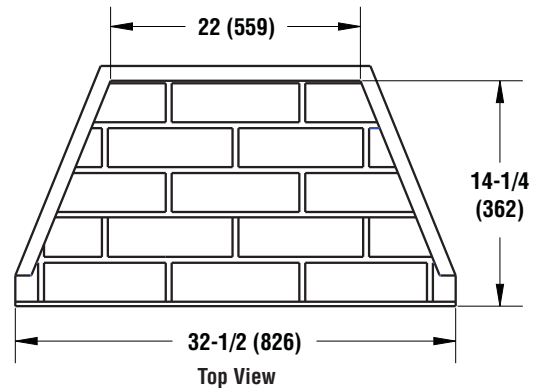
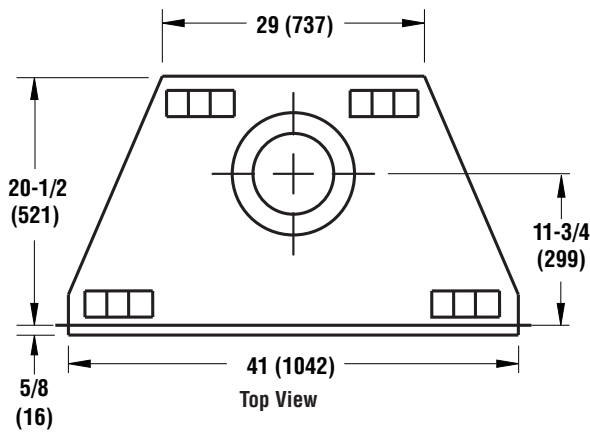
WRE3036 SERIES

OUTDOOR WOOD-BURNING FIREPLACES

Framing Dimensions



Fireplace Dimensions



NOTE: DIAGRAMS & ILLUSTRATIONS ARE NOT TO SCALE.

WRE3036 SERIES

Product Information

Product Reference Information			
Cat. No.	Model	Shipping Weight	Shipping Volume
F0451	WRE3036RS	184 lb.	23.8 cu. ft.
F0449	WRE3036WS	184 lb.	23.8 cu. ft.
F0452	WRE3036RH	184 lb.	23.8 cu. ft.
F0450	WRE3036WH	184 lb.	23.8 cu. ft.

Listing Information



Report No. 10-078

This fireplace has been tested and approved by PFS Corporation under UL127/ULC-S610 standard as a Factory Built Appliance and may be used with gas logs approved to ANSI Z21.60, Z21.84 or Z21.11.2 standards.

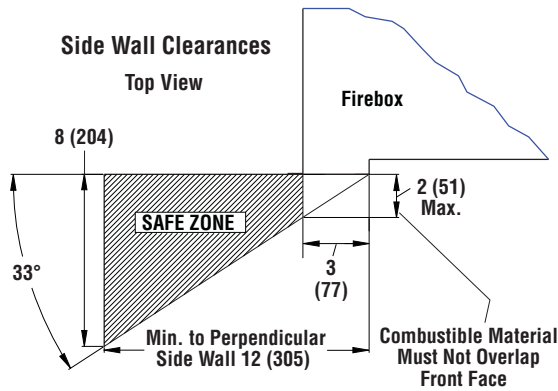
Clearances to Combustibles

Description	Min. Clearance
Ceiling	40 (1016)
Back and sides of fireplace	3/4 (19)*
Floor	0 (0)**
Perpendicular wall to opening	12 (305)
Top spacers	0 (0)
Chimney outer pipe surface	1 (26)

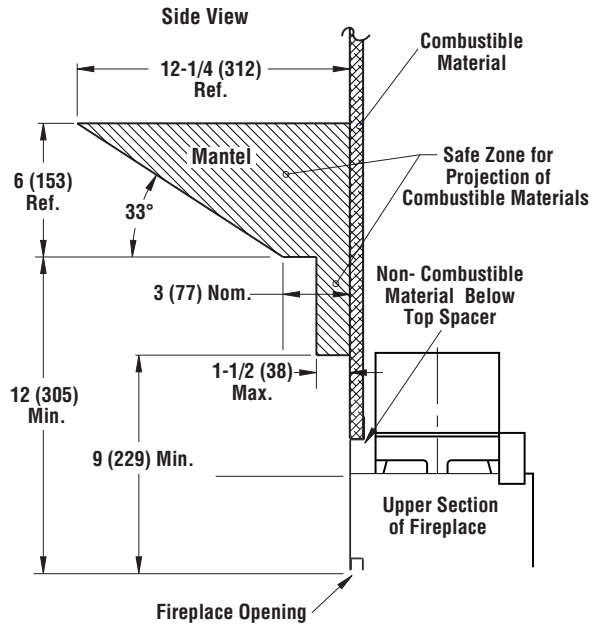
* Not required at nailing flanges

** See step 2 of Framing in the Installation and Operation Manual

Clearances



Mantel Clearances



Inches (millimeters)

Venting

Venting
Uses Standard Wood-Burning
Chimney (8DM)

