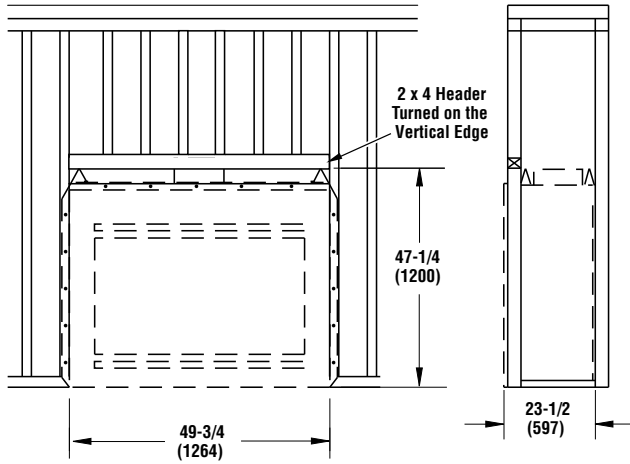


WRT3042 AND WCT3042 SERIES

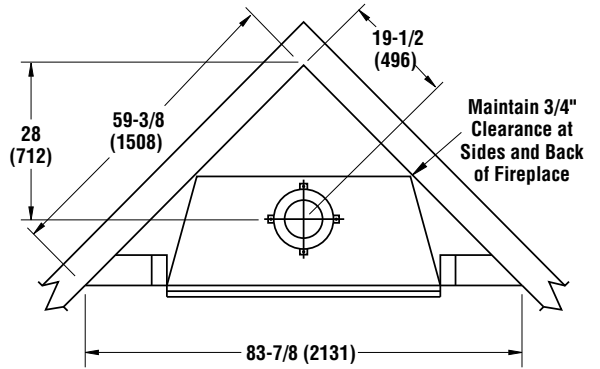
WOOD-BURNING FIREPLACES

Framing Dimensions



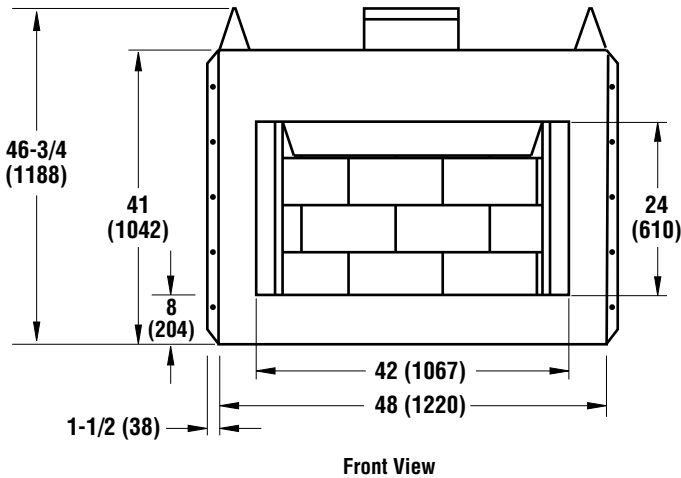
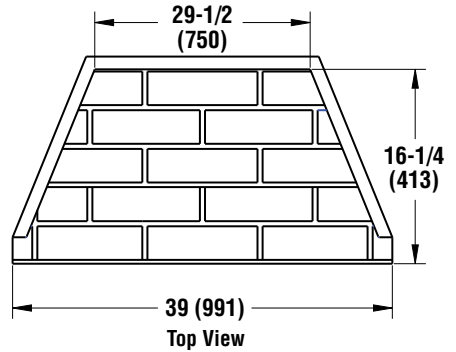
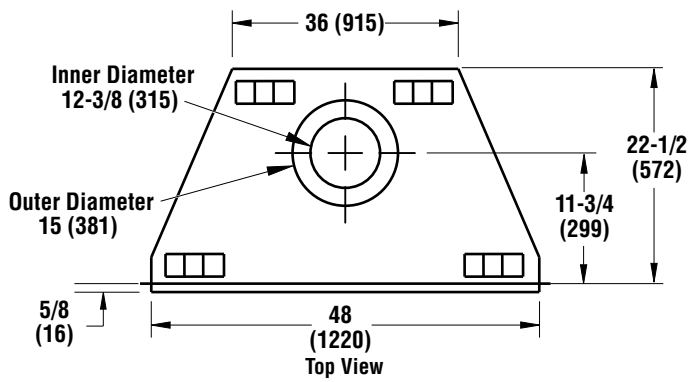
Parallel Framing Dimensions

Inches (millimeters)

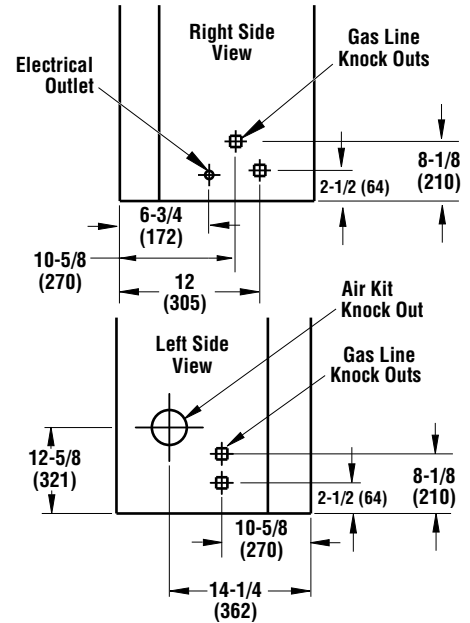


Corner Framing Dimensions

Fireplace Dimensions



Inches (millimeters)



WRT3042 AND WCT3042 SERIES

Product Information

Product Reference Information				
Cat. No.	Model	Description	Shipping Weight	Shipping Volume
F0666	WRT3042WSI	Radiant	224 lb.	32.0 cu. ft.
F0669	WCT3042WSI	Louvered	224 lb.	32.0 cu. ft.

Listing Information



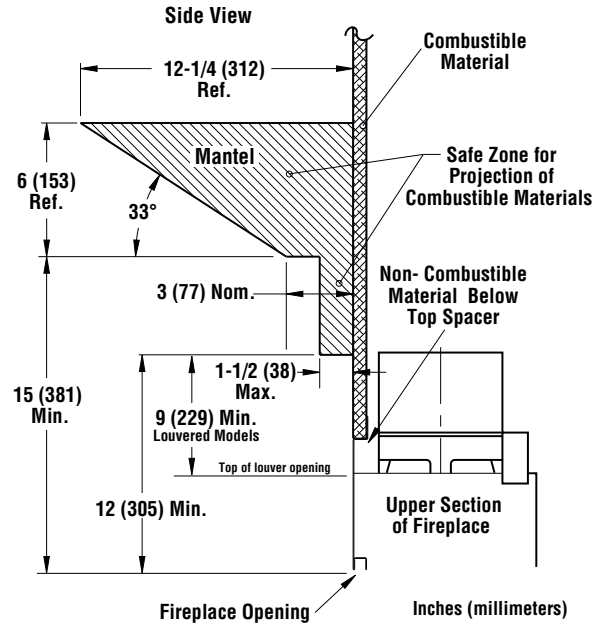
Report No. 10-078

This fireplace has been tested and approved by PFS Corporation under UL127/ULC-S610 standard as a Factory Built Appliance and may be used with gas logs approved to ANSI Z21.60, Z21.84 or Z21.11.2 standards.

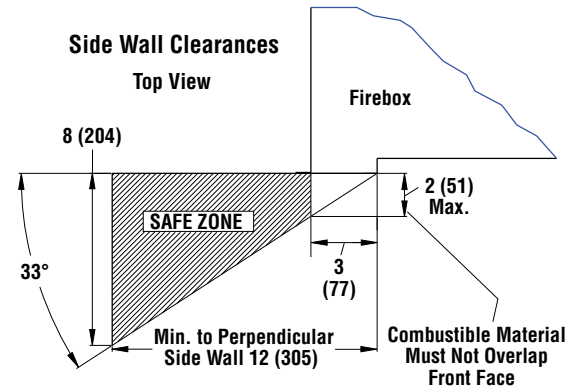
Clearances to Combustibles	
Description	Min. Clearance
Back and sides of fireplace	3/4 (19)*
Floor	0 (0)**
Perpendicular wall to opening	12 (305)
Top spacers	0 (0)
Chimney outer pipe surface	1 (26)

* Not required at nailing flanges
 ** See step 2 of Framing in the Installation and Operation Manual

Mantel Clearances



Clearances



Venting

Venting

Uses Standard (8DM) and Hi-Temp (8HT) Wood-Burning Chimney. For Canada Use 8HT Chimney

