



INNOVATIVE HEARTH PRODUCTS

P/N 900861-00 REV. F 04/2022

Ce manuel est disponible en français, simplement en faire la demande. Numéro de la pièce 900861-01.



Installation and Operation Instructions OUTDOOR DECORATIVE GAS FIREPLACE

Barcelona Lights | VRE4600 | ODLVF

Models

ODLVF36ZEN, ODLVF48ZEN, ODLVF60ZEN, ODLVF72ZEN

INSTALLATION PRECAUTION: This fireplace requires a minimum 18-square inches (per side) of cross ventilation. Failure to provide proper ventilation can void the warranty.

WHEN USED AS AN OUTDOOR APPLIANCE

⚠ DANGER



CARBON MONOXIDE WARNING

- This appliance can produce carbon monoxide which has no odor.
- Using it in an enclosed space can kill you.
- Never use this appliance in an enclosed space such as a camper, tent, car or home.

⚠ DANGER

FIRE OR EXPLOSION HAZARD

If you smell gas:

- Shut off gas to the appliance.
 - Extinguish any open flame.
 - If odor continues, leave the area immediately.
 - After leaving the area, call your gas supplier or fire department.
- Failure to follow these instructions could result in fire or explosion, which could cause property damage, personal injury, or death.

INSTALLATION PRECAUTION: This fireplace requires a minimum 18-square inches (per side) of cross ventilation. Failure to provide proper ventilation can void the warranty.

⚠ WARNING: For Outdoor Use Only.

Installation and service must be performed by a qualified installer, service agency, or the gas supplier.

⚠ WARNING: Do not store gasoline or other flammable vapors and liquids in the vicinity of this or any other appliance. An LP-cylinder not connected for use shall not be stored in the vicinity of this or any other appliance.

⚠ WARNING: If the information in this manual is not followed exactly, a fire or explosion may result causing property damage, personal injury, or loss of life

⚠ DANGER:

FIRE OR EXPLOSION HAZARD

Failure to follow these instructions could result in fire or explosion, which could cause property damage, personal injury, or death.

- Do not store or use gasoline or other flammable vapors and liquids in the vicinity of this or any other appliance.
- **IF YOU SMELL GAS**
 - Do not try to light any appliance.
 - Do not touch any electrical switch; do not use any phone in your building.
 - Leave the building immediately.
 - Immediately call your gas supplier from a neighbor's phone. Follow the gas supplier's instructions.
 - If you cannot reach your gas supplier, call the fire department.
- Installation and service must be performed by a qualified installer, service agency or the gas supplier.

⚠ DANGER:

RISQUÉ D'INCENDIE OU D'EXPLOSION

Le non-respect Des avertissements de sécurité pourrait d'entraîner des blessures graves, la mort ou des dommages matériels.

- Ne pas entreposer ni utiliser d'essence ni d'autres vapeurs ou liquides inflammables dans le voisinage de cet appareil ou de tout autre appareil.
- **QUE FAIRE SI VOUS SENTEZ UNE ODEUR DE GAZ:**
 - Ne pas tenter d'allumer d'appareil.
 - Ne touchez à aucun interrupteur. Ne pas vous servir des téléphones se trouvant dans le bâtiment où vous trouvez.
 - Sortez immédiatement de bâtiment.
 - Appelez immédiatement votre fournisseur de gaz depuis un voisin. Suivez les instructions du fournisseur.
 - Si vous ne pouvez rejoindre le fournisseur de gaz, appelez le service des incendies.
- L'installation et l'entretien doivent être assurés par un installateur ou un service d'entretien qualifié ou par le fournisseur de gaz.

TABLE OF CONTENTS

Safety	2-3
Local Codes	3
Installation Precautions	4-6
Gas Line and Cross Ventilation Requirements	5
Hard piping and High Elevation	6
Fireplace Specifications	7
Single-Sided Fireplace Application	8-10
Dimensions; Combustible Clearances; Mantel Clearances ...	9
Framing with Metal Studs	10
Optional See-Through Fireplace Application	11-14
Converting Fireplace to a See-Through Model	12
Dimensions; Combustible Clearances; Mantel Clearances .	13
Framing with Metal Studs	14
LED Lighting Installation	15-22
Wiring Diagrams	20-22
Final Preparation	23-27
Installation of Media in Burner Pan/Trough & Pilot Test	24
Installation of Hoods	25
Installation of Windshield	26
Flame Height	27
Operation	28
Lighting Instructions	28
Product Reference Information	28
Fireplace Maintenance	29
Troubleshooting	30-31
Optional Accessories	31
Gas Conversion Instructions	32-35
Replacement Parts	36-38
Warranty	39

SAFETY

IT IS IMPORTANT TO READ THROUGH THE ENTIRE INSTALLATION MANUAL BEFORE BEGINNING INSTALLATION OF THIS FIREPLACE!!

This fireplace ships from the factory as a single-sided fireplace with the option of removing the back panels to convert it into an optional see-through fireplace. Your specific application, single-sided or see-through will determine how you install and frame this fireplace. Carefully read through this manual to understand.

DESCRIPTION: These Outdoor fireplace models come ready to operate with HI/LO capabilities once installation is complete. They use an electronic ignition that runs off a 7.5VDC adaptor. In addition, each fireplace is equipped with LED lighting as a standard feature. Each model can operate the LED lights with or without the fireplace operating. The LED lights run off of a 12-volt DCV adaptor.

These are radiant fireplaces only and do not have a fan option. Do not burn real wood or other combustible materials in these fire-

DANGER



**HOT GLASS WILL
CAUSE BURNS**

**DO NOT TOUCH
GLASS UNTIL COOLED**

**NEVER ALLOW CHILDREN
TO TOUCH GLASS**

A barrier designed to reduce the risk of burns from the hot viewing glass is provided with this appliance and shall be installed for the protection of children and other at-risk individuals.

places. Use only approved media. All models are shipped as Natural Gas but can be converted to Propane Gas by ordering the optional conversion kit (*see Page 32*). There is no top or rear venting required for this fireplace, however, it is mandatory to provide adequate clearances according to this manual and cross ventilation in the enclosure. The burner assembly is removable for service. NEVER obstruct the front opening(s) of the fireplace.

ALWAYS USE CAUTION WHEN USING THE FIREPLACE

Extra caution should be taken when lighting a fireplace when heavy rains, high humidity and moisture are present. Light the fireplace and leave the area while the heat dissipates any moisture out of the media. We strongly recommend that during this drying out time that you monitor the fireplace from a distance. This drying out period should be no less than 30 minutes. Continue monitoring the flame from a safe distance to ensure that all popping has ceased before fully enjoying the fire.

1. This appliance is configured from the factory only as Natural gas. This appliance can be converted to LP gas.
2. Do not place Propane (LP) supply tanks inside any structure. Locate propane tanks outdoors.
3. This fireplace is to be used only outdoors in a well ventilated space and shall not be used in a building, garage, or any other enclosed area.
4. Do not use this fireplace as a wood burning fireplace. Use only high temperature media approved for use with this fireplace.
5. Do not use this fireplace to cook or burn paper or other objects.
6. Do not use if exposed to or under water. Immediately call a qualified service technician to inspect the fireplace and replace any part of the control system and any gas control which has been under water.
7. Turn fireplace OFF and let cool before servicing. Only a qualified service person should perform service.
8. To prevent performance problems in Propane (LP) fireplaces, do not use a Propane tank less than 100lbs. capacity.

SAFETY

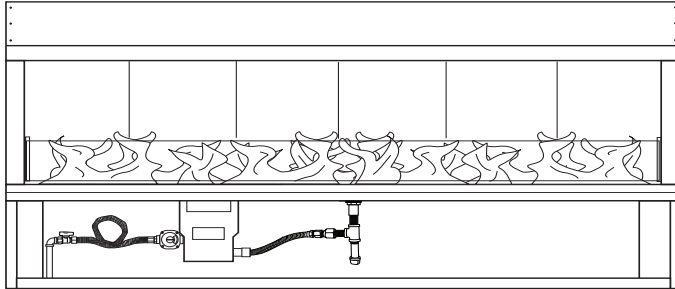
continued

NATIONAL
FIREPLACE
INSTITUTE



CERTIFIED
www.nficertified.org

We recommend that our gas hearth products be installed and serviced by professionals who are certified in the U.S. by the National Fireplace Institute® (NFI) as NFI Gas Specialists.



Outdoor Decorative Gas Fireplaces
Models Barcelona Lights Series and VRE4600 Series

Install and use fireplace with care. Follow all local codes. In the absence of local codes, use the National Fuel Gas Code, ANSI Z223.1/ NFPA 54 (USA) - latest edition.

Available from:

American National Standards Institute, Inc.
25 West 43rd Street, 4th floor
New York, NY 10036

National Fire Protection Association, Inc.
1 Batterymarch Park
Quincy, MA 02169-7471

CODES AND STANDARDS

These fireplaces comply with National Safety Standards and are tested and listed by the PFS TECO (Report No. 20-024) to ANSI Z21.97- 2017, CSA 2.41 in both USA and Canada, as outdoor decorative gas appliances. The installation must conform to local codes or, in the absence of local codes, with the National Fuel Gas Code, ANSI Z223.1/ NFPA 54 (USA) - latest edition or CAN/CGA-B149.1 Natural gas and propane installation code (Canada) - latest edition.

AN OUTDOOR SPACE IS DEFINED AS FOLLOWS PER ANSI Z21.97:

Outdoor spaces - An appliance is considered to be outdoors if installed with shelter no more inclusive than:

⚠ WARNING

- Do not leave unattended during use.
- Do not use for cooking.
- Follow all gas leak procedures in this manual prior to operation.

⚠ WARNING

PROPANE TANKS ARE AT PRESSURES THAT WILL CAUSE DAMAGE TO VALVE COMPONENTS. VERIFY THAT THE TANKS HAVE STEP DOWN REGULATORS TO REDUCE THE PRESSURE TO SAFE LEVELS.

⚠ WARNING

This product can expose you to chemicals including Chromium, which is known to the State of California to cause cancer and birth defects or other reproductive harm. (For more information, go to www.p65warnings.ca.gov)

LOCAL CODES

- (a) With walls on all sides, but with no over-head cover;
- (b) Within a partial enclosure which includes an overhead cover and no more than two side walls. These side walls may be parallel, as in a breezeway, or at right angles to each other; or
- (c) Within a partial enclosure which includes an overhead cover and three sidewalls, as long as 30% or more of the horizontal periphery of the enclosure is permanently open.

Massachusetts Requirements

These appliances are approved for installation in the US state of Massachusetts if the following additional requirements are met:

- Un-vented Room Heaters shall be installed in accordance with 527 CMR 30.
- Installation and repair must be done by a plumber or gas fitter licensed in the Commonwealth of Massachusetts.
- The flexible gas line connector used shall not exceed 36 inches (92 centimeters) in length.
- The individual manual shut-off must be a T-handle type valve.
- Unvented appliances may NOT be installed in bedrooms or bathrooms.
- A working smoke detector must be installed in the area where vent-free appliances are installed.

Seller of unvented propane or natural gas-fired supplemental room heaters shall provide to each purchaser a copy of 527 CMR 30 upon sale of the unit.

INSTALLATION PRECAUTIONS

INSTALLATION PRECAUTION:

This fireplace requires a minimum 18-square inches (per side) of cross ventilation. Failure to provide proper ventilation can void the warranty.

1. These fireplaces are designed for outdoor use only. Not approved for any indoor use.
2. We recommend using 3/4" black iron pipe; however please refer to the National Fuel Gas Code, ANSI Z223.1/ NFPA 54 (USA) - latest edition or CAN/CGA-B149.1 Natural Gas And Propane Installation Code (Canada) - latest edition for proper pipe sizing when exceeding 20-feet in length for fireplaces .
3. Determine which fireplace you are preparing to install, single-sided or see-through (refer to Page 8 or 11).
4. This fireplace is not a "load bearing" fireplace. All finishing materials must be supported by the surrounding structure and not rely on the fireplace itself.
5. Follow the local code requirements for the gas type being used. This fireplace should be installed in accordance with local codes and ordinances or in the absence of local codes, with the National Fuel Gas Code, ANSI Z223.1/ NFPA 54 (USA) - latest edition or CAN/CGA-B149.1 Natural Gas And Propane Installation Code (Canada) - latest edition.
6. Fireplaces create high temperatures, it is very important to have any combustibles at a safe distance.
7. Fireplace should never be left unattended while in operation. It should always be a safe distance from all trees and combustible landscape materials.
8. The fireplace must be installed on a flat, level, stable, non-combustible surface. Exception: It is permissible to place one layer of 1/2" cement board underneath the entire fireplace, then it may sit on a flat, level, stable, combustible surface. Drainage is critical to ensure that water does not damage gas valve and components. Never install the fireplace system below grade.
9. **CAUTION:** A minimum of 18 square inches of cross ventilation (per side) is required to keep the inside of the enclosure dry. Install the supplied VENT-KIT-6x12 (cat. no. F3535) approximately 3 to 4 inches from the floor centered on each end of the fireplace (See Figure 3, Page 5).
10. Never fill the cavity under and around the valve box with any material, this is air space necessary for ventilation.
11. Only non-combustible materials (i.e. metal studs and cement board) should come in direct contact with any part of the fireplace. Underneath area should be non-combustible or a flat level combustible surface according to the clearances specified in this manual. Bend out nailing flanges on ends of fireplace and secure to metal studs.
12. This fireplace is designed to have glass media covering the burner trough, so the burner tube is not visible. Use only the media provided with the appliance or listed in the accessory section of this manual (Page 31). **DO NOT COVER THE IGNITION HOOD WITH THE GLASS MEDIA.** See Figures 33 and 34 on Pages 23 and 24 for details.
13. Gas lines and fittings must be installed into the non-combustible structure. All gas connections must be leak tested before installation of the fireplace. Leak detection is required before regular use of the fireplace.
14. Do not use alternative media that will absorb moisture over time and will not release this moisture quickly. Moisture can boil in this media and can rapidly break apart and cause property damage or personal injury.
15. Never leave any other combustible material on top of the fireplace. This could cause unsafe operation of this system and damage to the component that will not be covered under our warranty.
16. It is recommended to wear gloves when moving the fireplace into position and watch for sharp edges when handling the fireplace.



WARNING

These appliances are not designed or intended to be used for cooking. Do not barbecue, heat food, or roast marshmallows in this appliance. Doing so could damage the appliance and cause injury.



WARNING

These fireplaces are gas fireplaces. Do not burn wood or other material in these appliances.

INSTALLATION PRECAUTIONS

Continued

CAUTION: BEFORE BEGINNING INSTALLATION CAREFULLY REMOVE THE GLASS WINDSHIELDS, PARTS BOX AND ANY PACKING MATERIALS FROM FIREPLACE AND SET ASIDE FOR LATER USE.

FRAMING: After framing is complete, slide the fireplace into position and secure it with the side nailing flanges. Next install cement board, securing it to the metal studs and fireplace. The framing provides for a flush fit up to the opening of the fireplace. **DO NOT PROTRUDE INTO THE FIREPLACE OPENING WITH CEMENT BOARD.**

GAS LINE: The gas line must have a predetermined location to enable it to be installed. *Figure 1* shows one example of an inlet gas line with a gas shut off at the fireplace. This allows a technician to shut the inlet gas supply OFF and remove the burner for servicing. **It is imperative that the flex line from the gas shutoff be long enough to lift out burner pan for service.** Ensure you follow the local and state gas codes per your installation.

LED LIGHTING: LED lighting must be installed before finish materials are completed on this fireplace. Ensure electricity is run before fireplace is installed. See *Pages 15 - 22*. Ensure you follow local and state codes per your installation.

RECOMMENDATION: Once the gas line is established it is recommended to remove the burner pan from the firebox until the fireplace is in the final stages and ready for the burner installation. See Burner Pan Removal in *Figure 2*.

GAS CONVERSION: If you are converting the fireplace to LP gas convert it while the burner pan is out of the fireplace. See *Pages 32-35* for conversion instructions.

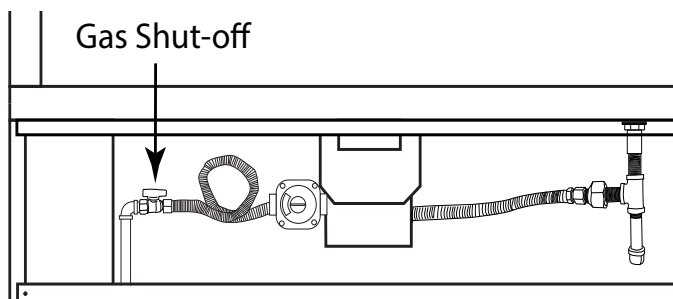


Figure 1 - Close up view of inlet gas connection with shutoff valve

IMPORTANT: The pilot hood must be on the windshield side of the appliance to provide oxygen to the pilot during operation.

BURNER PAN REMOVAL

The burner pan is secured in the fireplace with five (5) screws on one end. The end with two (2) screws is only the burner pan lip (see *Figure 2*). Remove all seven (7) screws to lift the burner pan up.

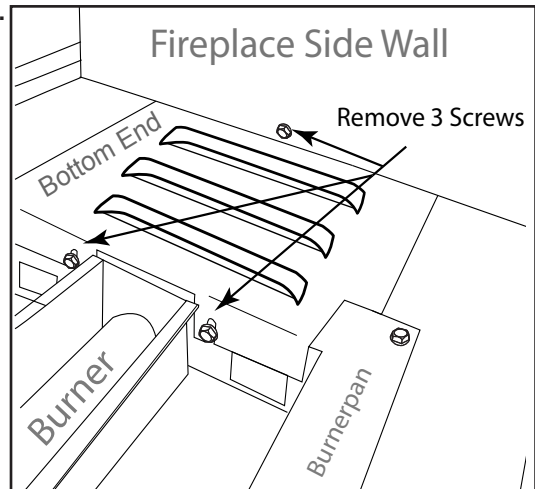


Figure 2 - Removal of burner pan screws.

VENTILATION FOR NON-COMBUSTIBLE ENCLOSURE

Fireplaces are subjected to many outdoor elements such as rain, snow, wind, heat or cold. A minimum of 18 square inches of cross ventilation (2 sides) is required to keep the components in good working order. Vents should be placed 3-4 inches from bottom of the fireplace and centered. Use *Figure 3* as a guide.

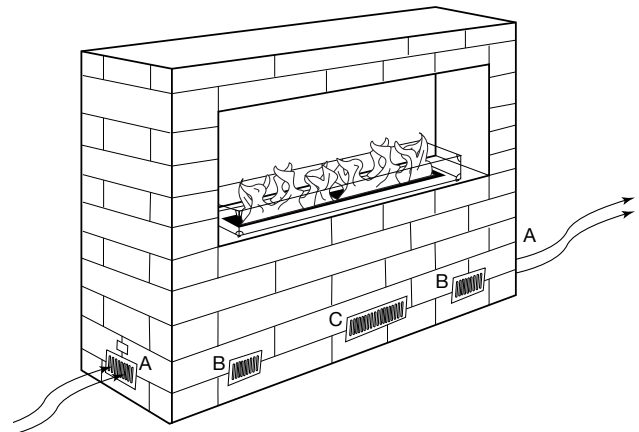


Figure 3 - Cross ventilation example using the Cross Ventilation Kit, VENT-KIT-6x12 (Cat. No. F3535), provided.

Note: Installation minimum two 18-square inch vents (A) or minimum one 36-square inch vent (C) is required for ventilation of enclosures. When two vents are used (B), they may be installed on one wall. Install the bottom of the vent(s) within three to four inches of the floor level. See local codes or, in the absence of local codes, with the National Fuel Gas Code, ANSI Z223.1/NFPA 54 (USA) – latest edition or CAN/CGA-B149.1 Natural gas and propane installation code (Canada) – latest edition. Do not place Propane (LP) supply tanks inside any structure or enclosure. Locate propane tanks outdoors.

INSTALLATION PRECAUTIONS

Continued

WARNING: Proper clearances from combustible, construction materials must be maintained from all sides, top and bottom of this appliance. See specifications listed on *Pages 8-10* for a single-sided fireplace and *Pages 11-14* for a see-through fireplace.

The fireplace must be installed on a flat, level, stable, non-combustible surface. If one layer of 1/2" cement board is installed underneath the entire fireplace, it may sit on a flat, level, stable, combustible surface. Install fireplace according to the clearances specified in this manual. **NOTE: Do not place fireplace directly on grass, dirt, or rocks as this may prevent proper ventilation. Ensure proper water drainage is also incorporated under the fireplace enclosure.**

IMPORTANT

Installation of Natural or Liquid Propane Gas should be done by a qualified installer, service agency or gas supplier.

The appliance and its appliance main gas valve must be disconnected from the gas supply piping system during any pressure testing of that system at test pressures in excess of 1/2 psi (3.5 kPa).

The appliance must be isolated from the gas supply piping system by closing its equipment shutoff valve during any pressure testing of the gas supply piping system at test pressures equal to or less than 1/2 psi (3.5 kPa).

HARD PIPING TO FIREPLACE WITHOUT GAS PROXIMITY

NOTE: We recommend using 3/4" black iron pipe; however please refer to the National Fuel Gas Code, ANSI Z223.1/NFPA 54 (USA) - latest edition or CAN/CGA-B149.1 Natural Gas And Propane Installation Code (Canada) - latest edition for proper pipe sizing when exceeding 20-feet in length for fireplaces rated above 100,000 BTU.

1. Turn OFF gas supply system. **NOTE:** All gas connections (except for brass to brass) require the following: Clean pipe threads using either a wire brush or steel wool. Apply pipe sealant to the fittings before making any connection. **BE CAREFUL!** Ensure all gas connections are snug, but do not over tighten!
2. Extend the gas supply using minimum of 3/4" black iron pipe or an approved flexible gas line from existing house supply. This can be accomplished by teeing off or tapping into a gas line connection. Install necessary pipe for the distance required and then install a manual shutoff valve at the exterior house wall. If pipe is to pass through a foundation or house wall, make sure to re-seal the area around the pipe with weather sealant.
3. The primary gas shutoff (supplied) will require a 1/2" male flared fitting to enable connection of the stainless steel flex gas line supplied with the fireplace (*See Figure 1, Page 5*).

HIGH ELEVATION INSTALLATION

This appliance is listed for elevations from 0 to 4500 feet (0-1372 meters) in Canada and the U.S. If elevation exceeds 4500 feet it may be necessary to decrease the input rating by changing the existing burner orifice to a smaller size. Input should be reduced 4% for each 1000 feet beyond the 4500 feet above sea level. Check with your local gas utility for assistance in determining the proper orifice in your location. In some cases the heating value may already be reduced and downsizing the orifice may not be necessary.

Deration - At higher elevations, the amount of BTU fuel value delivered must be reduced by either:

- Using gas that has been derated by the gas company.
- By changing the burner orifice to a smaller size as regulated by the local authorities having jurisdiction and by the (USA) National Fuel Gas Code NFPA 54/ANSI Z223.1—latest edition or, in Canada, the CAN/CSA-B149.1 codes—latest edition.

Install the appliance according to the regulations of the local authorities having jurisdiction and, in the USA, the National Fuel Gas Code NFPA 54 / ANSI Z223.1—latest edition or, in Canada, the CAN/CGA-B149.1—latest edition.

PAY CLOSE ATTENTION TO THE FOLLOWING PAGES.

THIS FIREPLACE IS SHIPPED AS A SINGLE-SIDED FIREPLACE, HOWEVER YOU HAVE THE OPTION TO CONVERT IT INTO A SEE-THROUGH FIREPLACE. READ THE HEADERS CAREFULLY TO ENSURE YOU ARE FOLLOWING THE CORRECT INSTALLATION.

UNLESS SPECIFIED, ALL OTHER PAGES ARE COMMON FOR THESE FIREPLACES. REVIEW THE INSTALLATION PRECAUTIONS BEFORE INSTALLING ANY OF THESE MODELS. IF YOU HAVE ANY QUESTIONS PLEASE CONTACT YOUR DEALER OR GO TO IHP.US.COM FOR REFERRAL INFORMATION.

The bottom support fin seen in several figure drawings on *Pages 9 to 14* has pre-punched holes on inside edge to secure the fireplace into position before attaching cement board.

SPECIFICATIONS

NOTE: These fireplaces come shipped as Natural Gas models only. There is a conversion kit available as an accessory. Ensure you order the specific conversion kit for your model fireplace. Table 1 shows the applicable information if converting to Liquid Propane (LP) gas.

IMPORTANT: The pilot hood must be on the windsheild side of the appliance to provide oxygen to the pilot during operation.

Model:	NG Factory Orifice	NG BTU's High	NG BTU's Low	NG Low Rate Screw	LP Factory Orifice	LP BTU's High	LP BTU's Low	LP Low Rate Screw
ODLVF36ZEN	#41	31,000 (9.08 kWh)	18,500 (5.42 kWh)	#44	#52	30,000 (8.79 kWh)	19,500 (5.72 kWh)	#52
ODLVF48ZEN	#32	43,500 (12.75 kWh)	24,500 (7.18 kWh)	#34	#48	42,500 (12.46 kWh)	29,000 (8.50 kWh)	#46
ODLVF60ZEN	#30	50,000 (14.65 kWh)	36,000 (10.55 kWh)	#27	#44	50,000 (14.65 kWh)	36,000 (10.55 kWh)	#42
ODLVF72ZEN	#25	65,000 (19.05 kWh)	42,000 (12.31 kWh)	#18	#42	60,000 (17.58 kWh)	45,000 (13.19 kWh)	#35

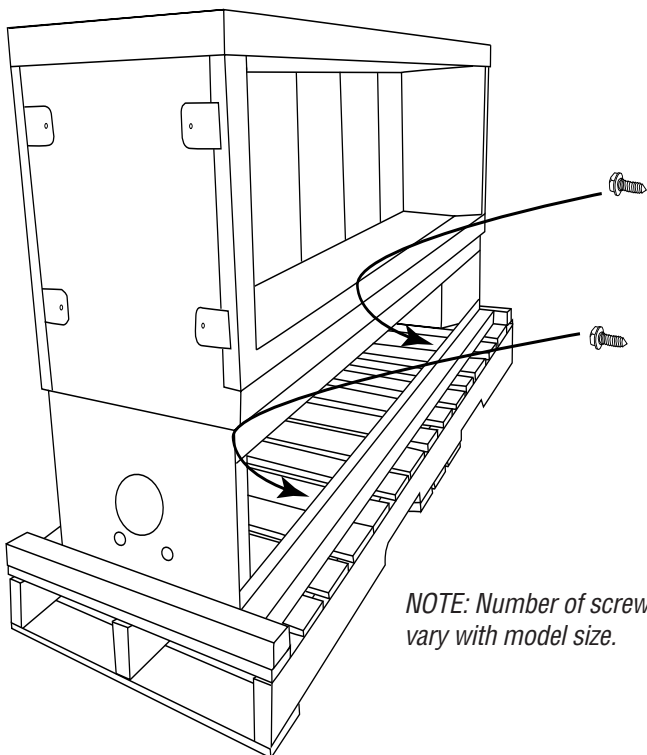
Table 1 - Fireplace Input Specifications

Disclaimer: BTU listings are based on 7.0" WC for Natural Gas at the inlet side of gas valve. Flex line size and proper gas pipe sizing will also affect BTU's. As a result your BTU's may vary slightly from *Table 1* specifications.

The fireplace ships on a wooden skid. Remove the screws as shown in *Figure 4* and lift fireplace off of skid.

Inlet Gas Pressure		
	Natural Gas (NG)	Propane (LP)
Minimum Inlet	5.0" WC (1.24 kPa)	10.5" WC (2.61 kPa)
Maximum Inlet	10.5" WC (2.61 kPa)	13.0" WC (3.23 kPa)
Normal Inlet	7.0" WC (1.74 kPa)	11.0" WC (2.74 kPa)
Manifold Gas Pressure		
	Natural Gas (NG)	Propane (LP)
Normal Manifold	4" WC (1.00 kPa)	10.0" WC (2.49 kPa)

Table 2 - Gas Pressures



NOTE: Number of screws vary with model size.

Figure 4 - Remove Fireplace from Skid

SINGLE-SIDED FIREPLACE DIMENSIONS AND CLEARANCES

NOTE: Preparation for the LED lighting and the inlet gas line must be planned before the fireplace is installed. See **Page 5, Figure 1** for inlet gasline and **Page 15** for LED lighting.

SINGLE-SIDED FIREPLACE DIMENSIONS, FRAMING AND CLEARANCES SECTION

This fireplace comes with *various boxes* prepackaged inside the fireplace. Do not discard any boxes unless notes to do so. Read the list below for the contents.

Component Parts Box Contents:

- (1) RGB Control Assembly (includes switches and LED dimmer)
- (1) 12VCD Adaptor (used for LED lighting)
- (1) 7.5VCD Adaptor (used for valve system)
- (2) 6x12 Stainless Steel Vents (used to ventilate enclosure)
- (12) Black Screws, Nuts & Washers for 6x12 vents
- (1) Installation manual for vent kit
- (1) 24-inch LED wire harness
- (1) 10-foot valve system (module) wire harness
- (1) LED 10-foot controller wire harness
- (1) Manual shut-off gas valve
- (1) Pilot Hood
- (1) OFP Pilot Screen
- (1) Dielectric Grease (for electronic connections)

Windshield Parts Box Contents:

- (2) Glass Windshields (inside firebox)
- (4) Glass Windshield Supports (4 for singled-sided fireplace)
- (1) Stainless Steel Hoods (1 for singled-sided fireplace)
- (7) Stainless Machine Screws (For hood install - depending on size, all may not be used)
- (1) LED Tray Assembly Right

Glass Media Box Contents:

- (3-5) bags of diamond crystal media depending on model size
- (See *Table 7 and Figures 35 & 36 on Pages 24 & 25 for reference*)

SINGLE-SIDED FIREPLACE DIMENSIONS AND MINIMUM CLEARANCES TO COMBUSTIBLES

Continued

Model: Natural Gas (NG)	A Overall Length	B Inside Opening	C Overall Height	D Opening Height	E Overall Depth	F Leg Height	G Valve Box Depth	H Clearance To Combustible Side Wall	I Clearance To Combustible Ceiling
ODLVF36ZEN	40" (1016mm)	36" (915mm)	33-1/2" (850mm)	16" (407mm)	16-1/4" (413mm)	11-1/2" (292mm)	8-3/4" (222mm)	6" (153mm)	46-1/2" (1181mm)
ODLVF48ZEN	52" (1321mm)	48" (1219mm)	33-1/2" (850mm)	16" (407mm)	16-1/4" (413mm)	11-1/2" (292mm)	8-3/4" (222mm)	6" (153mm)	46-1/2" (1181mm)
ODLVF60ZEN	64" (1626mm)	60" (1524mm)	33-1/2" (850mm)	16" (407mm)	16-1/4" (413mm)	11-1/2" (292mm)	8-3/4" (222mm)	6" (153mm)	46-1/2" (1181mm)
ODLVF72ZEN	76" (1931mm)	72" (1829mm)	33-1/2" (850mm)	16" (407mm)	16-1/4" (413mm)	11-1/2" (292mm)	8-3/4" (222mm)	6" (153mm)	46-1/2" (1181mm)

Table 3 - Fireplace dimensions and clearances. Ensure you follow the proper clearances during installation.

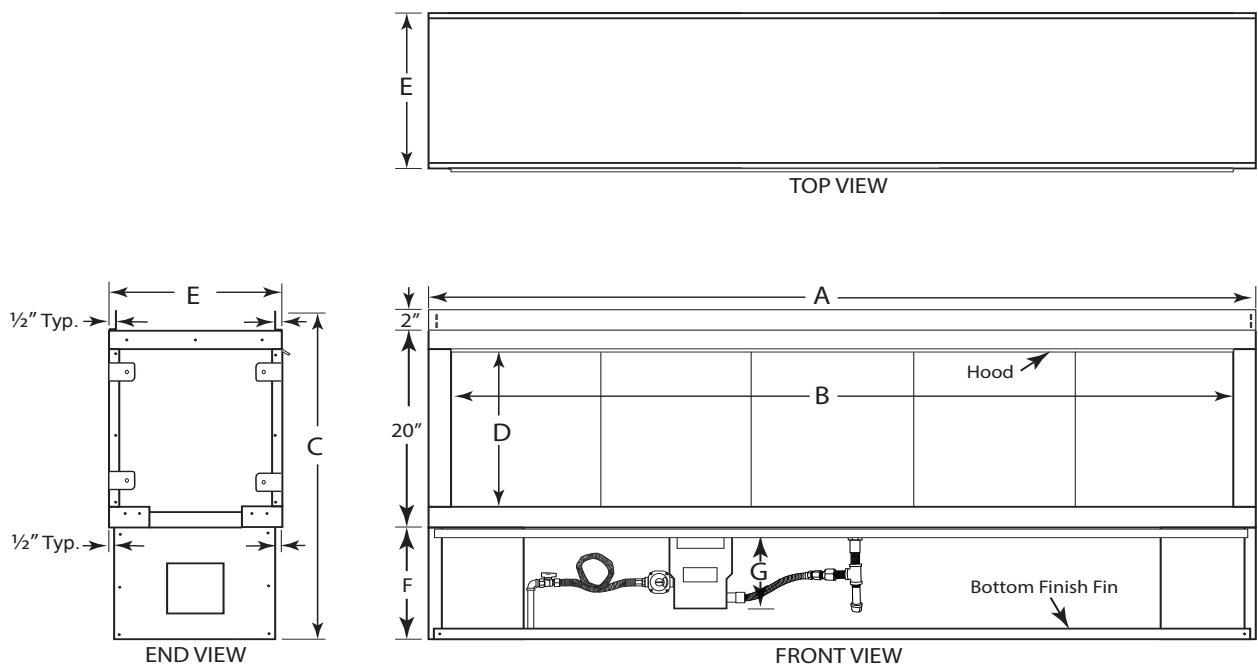


Figure 5 - Fireplace dimensions; refer to Table 3.

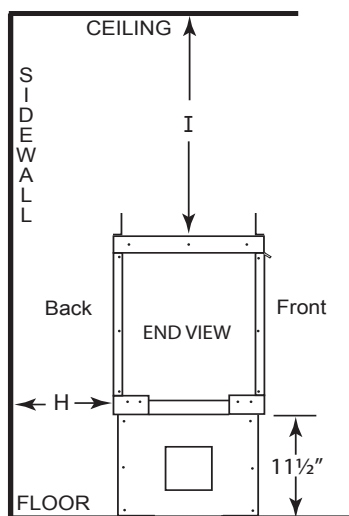


Figure 6 - Single-sided fireplace clearance to combustibles (See Table 3)

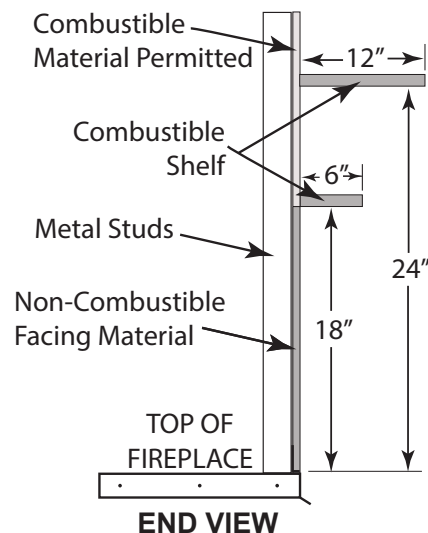


Figure 7 - Open front fireplace mantel clearances

SINGLE-SIDED FRAMING DIMENSIONS WITH METAL STUDS

Model: Natural Gas (NG)	A Width	B Height	C Depth
ODLVF36ZEN	40-1/2" (1029mm)	33-3/4" (857mm)	16-1/4" (413mm)
ODLVF48ZEN	52-1/2" (1334mm)	33-3/4" (857mm)	16-1/4" (413mm)
ODLVF60ZEN	64-1/2" (1638mm)	33-3/4" (857mm)	16-1/4" (413mm)
ODLVF72ZEN	76-1/2" (1943mm)	33-3/4" (857mm)	16-1/4" (413mm)

Table 4 - Fireplace framing dimensions.

NOTE: This fireplace requires metal studs for framing. Wood studs are not permitted.



NOTE: This outdoor fireplace is not a "load bearing" fireplace. All finishing materials must be supported by the surrounding structure and not rely on the fireplace itself.

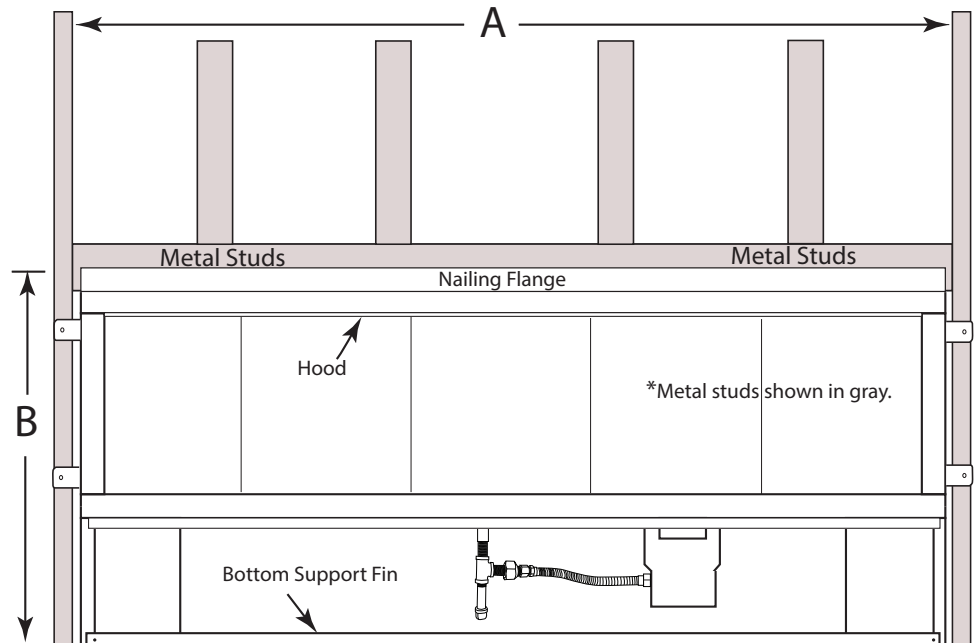
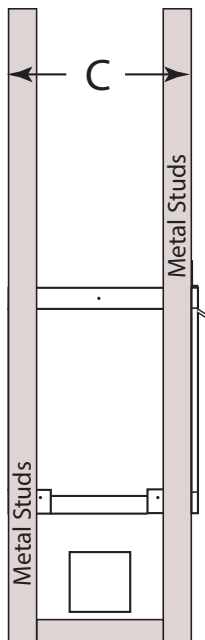
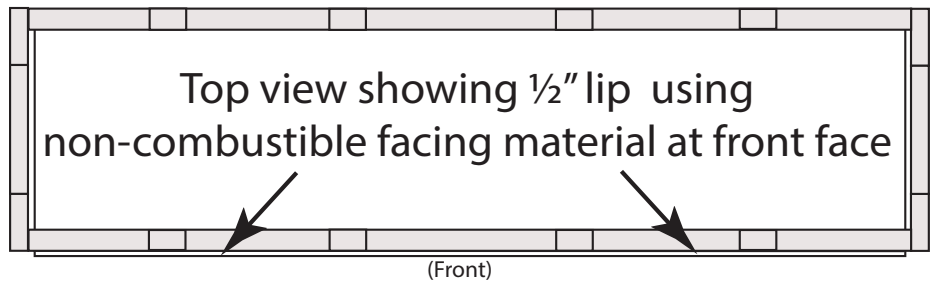


Figure 8 - Framing dimensions using all non-combustible materials for single-sided fireplace; refer to Table 4.

OPTIONAL SEE-THROUGH FIREPLACE DIMENSIONS AND CLEARANCES

NOTE: Preparation for the LED lighting and the inlet gas line must be planned before the fireplace is installed. See **Page 5, Figure 1** for inlet gasline and **Page 15** for LED lighting.

OPTIONAL SEE-THROUGH FIREPLACE DIMENSIONS AND CLEARANCES SECTION (See Accessory Page 31 for Available Kits)

This fireplace comes with *various boxes* prepackaged inside the fireplace. Do not discard any boxes unless notes to do so. Read the list below for the contents.

Component Parts Box Contents:

- (1) RGB Control Assembly (includes switches and LED dimmer)
- (1) 12VCD Adaptor (used for LED lighting)
- (1) 7.5VCD Adaptor (used for valve system)
- (2) 6x12 Stainless Steel Vents (used to ventilate enclosure)
- (12) Black Screws, Nuts & Washers for 6x12 vents
- (1) Installation manual for vent kit
- (1) 24-inch LED wire harness
- (1) 10-foot valve system (module) wire harness
- (1) LED 10-foot controller wire harness
- (1) Manual shut-off gas valve
- (1) Pilot Hood
- (1) OFP Pilot Screen
- (1) Dielectric Grease (for electronic connections)

Windshield Parts Box Contents:

- (2) Glass Windshields (inside firebox)
- (4) Glass Windshield Supports (4 for singled-sided fireplace)
- (1) Stainless Steel Hoods (1 for singled-sided fireplace)
- (7) Stainless Machine Screws (For hood install - depending on size, all may not be used)
- (1) LED Tray Assembly Right

Glass Media Box Contents:

- (3-5) bags of diamond crystal media depending on model size
(See Table 7 and Figures 35 & 36 on Pages 24 & 25 for reference)

OPTIONAL SEE-THROUGH FIREPLACE DIMENSIONS AND CLEARANCES

Continued

If you have determined to install the fireplace as a see-through model then you will need to remove the rear back panel to convert it. **Before removing the rear back panel be sure to remove the contents out of the firebox area.** NOTE: The fireplace is shipped with glass windshields and parts prepackaged inside the firebox area that can interfere with removal of the rear panel.

CAUTION: WATCH FOR SHARP EDGES.




CAUTION

SHARP EDGES - WATCH YOUR FINGERS

Wear gloves to guard against any sharp metal edges.

Use the following steps:

NOTE: The numbers of screws to remove will vary with each fireplace model.

Step 1. Look at the back side of the fireplace. Around the outer perimeter area of the frame or back wall are several screws to remove (See the shaded area in Figure 9). Only remove the top and bottom screws on the rear panel. The nailing flange will remain in place. The back panel will remove as one panel. The number of screws removed will vary with each fireplace model.

NOTE: Nailing fin will be loose when removing the top screws. Secure the nailing fin back into place after back panel is removed.

Step 2. The back panel will not be used again in the see-through application. Discard back panel and screws.

NOTE: When converting to the see-through fireplace the glass windshield clips will need to be installed. See Figures 18 and 19 on Page 16. The clips will be packaged with the glass windshields. The see-through fireplace requires windshields on both sides for proper operation.

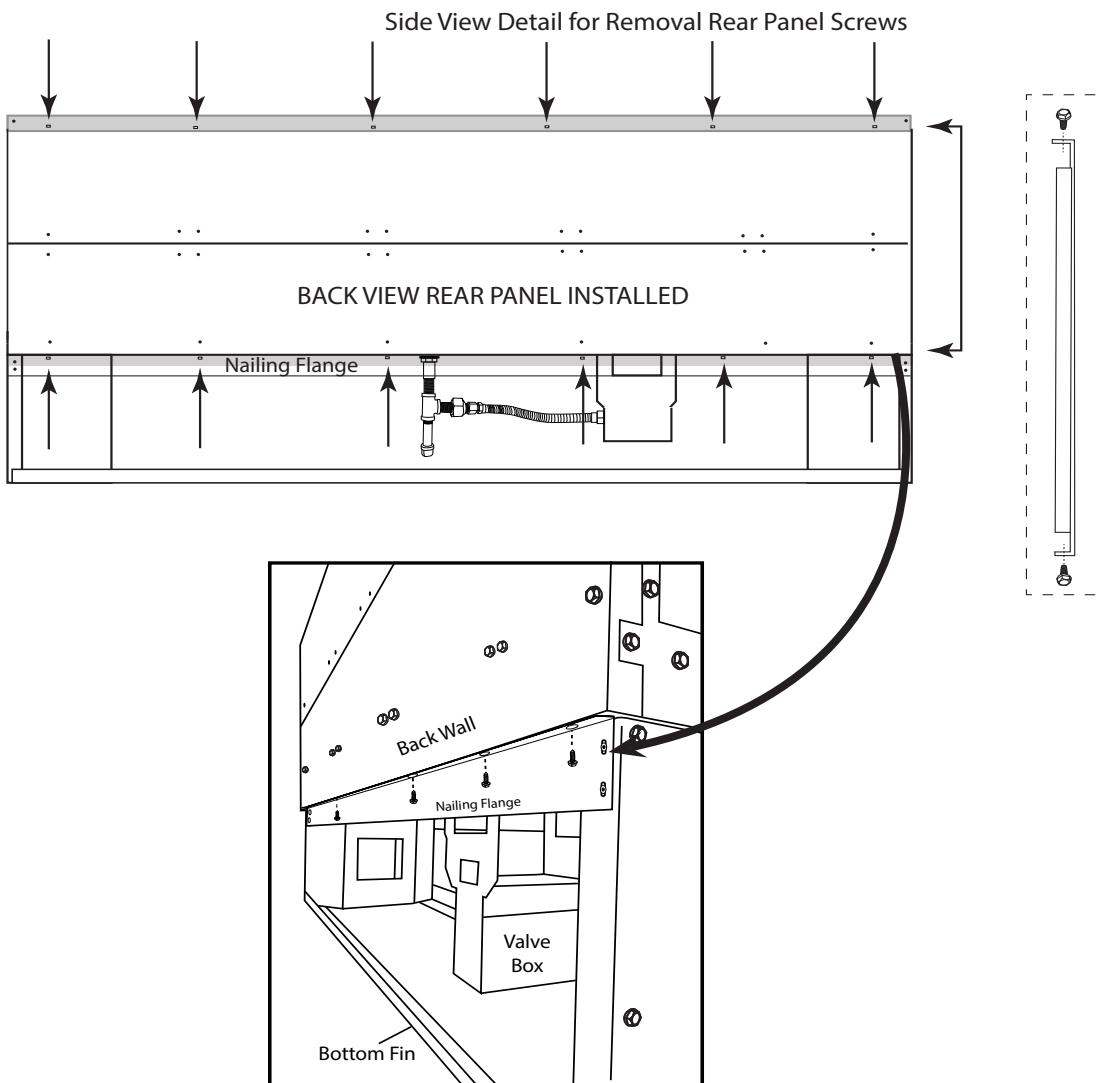


Figure 9 - Removing back wall to convert to optional see-through model.

OPTIONAL SEE-THROUGH FIREPLACE DIMENSIONS AND MINIMUM CLEARANCES TO COMBUSTIBLES *Continued*

This fireplace ships from the factory as a single sided fireplace, but by removing the back panels you can convert it into a see-through fireplace. Your specific application, single sided verses see-through, will determine your installation. Ensure you follow the proper clearances during installation.

Model: Natural Gas (NG)	A Overall Length	B Inside Opening	C Overall Height	D Opening Height	E Overall Depth	F Leg Height	G Valve Box Depth	H Clearance To Combustible Side Wall	I Clearance To Combustible Ceiling
ODLVF36ZEN	40" (1016mm)	36" (915mm)	33-1/2" (850mm)	16" (407mm)	16" (407mm)	11-1/2" (292mm)	8-3/4" (222mm)	36" (915mm)	46-1/2" (1180mm)
ODLVF48ZEN	52" (1321mm)	48" (1219mm)	33-1/2" (850mm)	16" (407mm)	16" (407mm)	11-1/2" (292mm)	8-3/4" (222mm)	36" (915mm)	46-1/2" (1180mm)
ODLVF60ZEN	64" (1626mm)	60" (1524mm)	33-1/2" (850mm)	16" (407mm)	16" (407mm)	11-1/2" (292mm)	8-3/4" (222mm)	36" (915mm)	46-1/2" (1180mm)
ODLVF72ZEN	76" (1931mm)	72" (1829mm)	33-1/2" (850mm)	16" (407mm)	16" (407mm)	11-1/2" (292mm)	8-3/4" (222mm)	36" (915mm)	46-1/2" (1180mm)

Table 5 - Fireplace dimensions and clearances.

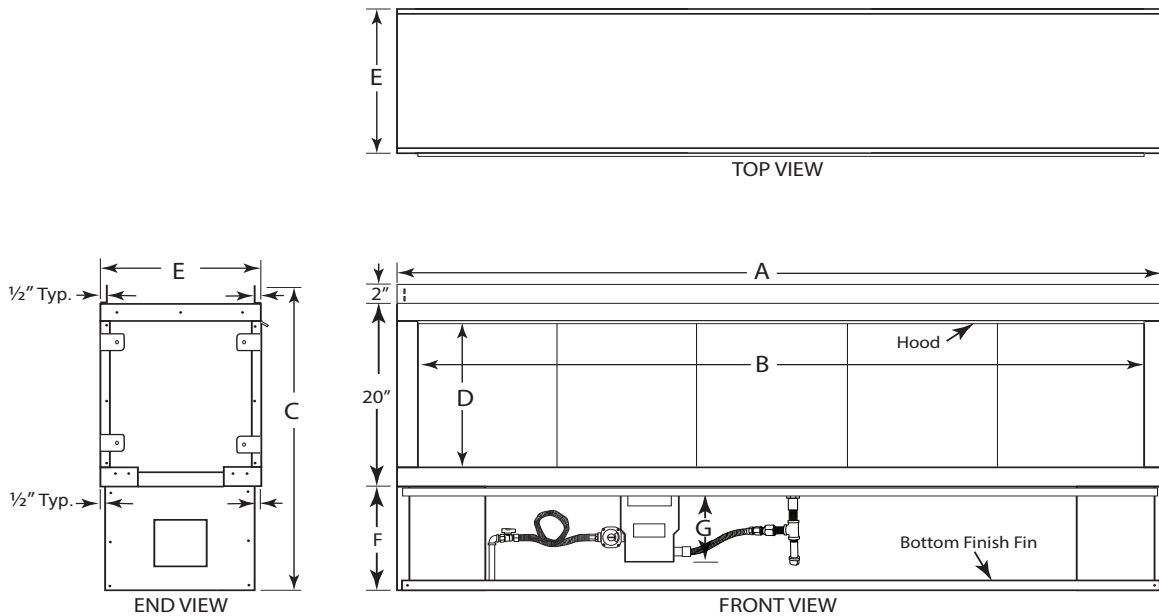
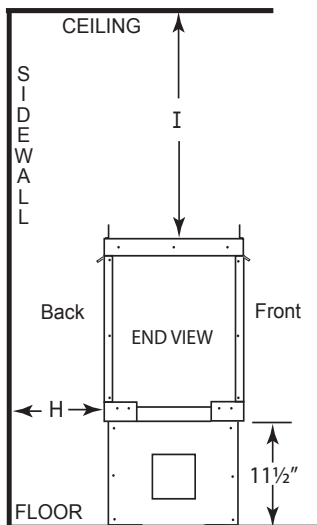


Figure 10 - Fireplace dimensions; refer to Table 5



**Figure 11 - See-through fireplace clearance to combustibles
(See Table 5)**

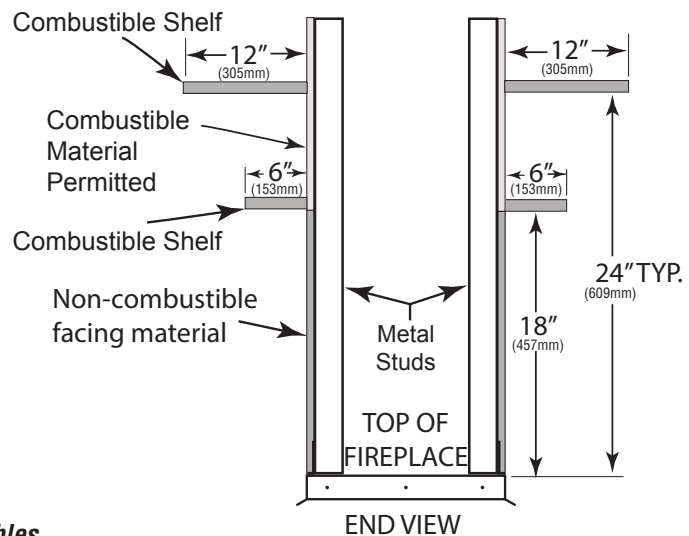


Figure 12 - See-through fireplace mantel clearances

OPTIONAL SEE-THROUGH FRAMING DIMENSIONS WITH METAL STUDS

Model: Natural Gas (NG)	A Width	B Height	C Depth
ODLVF36ZEN	40-1/2" (1029mm)	33-3/4" (850mm)	15" (381mm)
ODLVF48ZEN	52-1/2" (1334mm)	33-3/4" (850mm)	15" (381mm)
ODLVF60ZEN	64-1/2" (1639mm)	33-3/4" (850mm)	15" (381mm)
ODLVF72ZEN	76-1/2" (1943mm)	33-3/4" (850mm)	15" (381mm)

Table 6 - Fireplace framing dimensions.

NOTE: This fireplace requires metal studs for framing. Wood studs are not permitted.



NOTE: This outdoor fireplace is not a "load bearing" fireplace. All finishing materials must be supported by the surrounding structure and not rely on the fireplace itself.

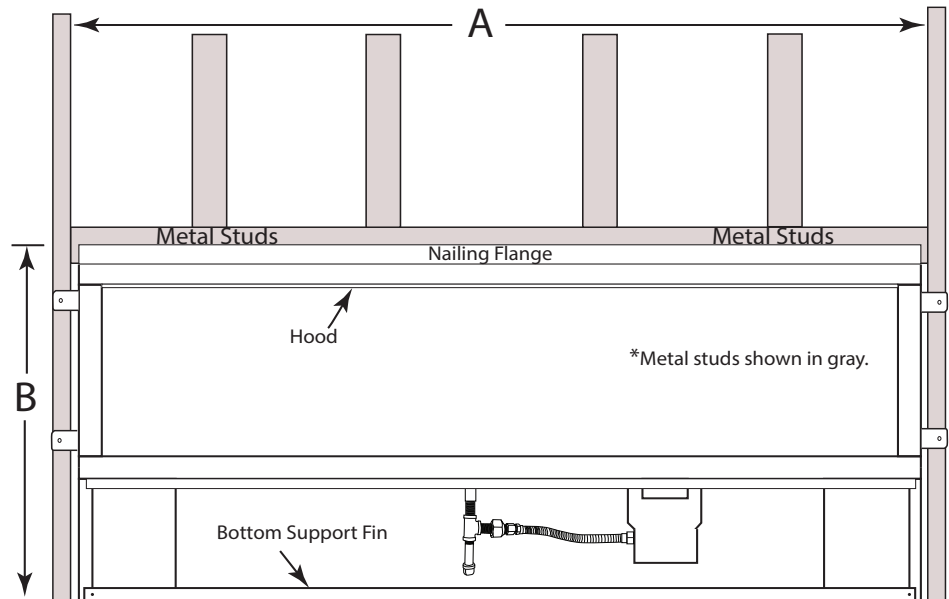
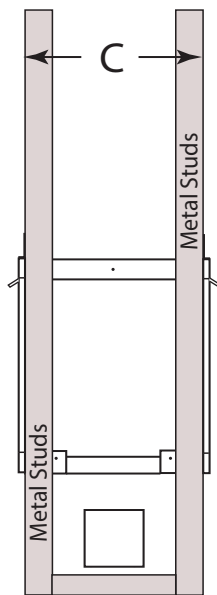
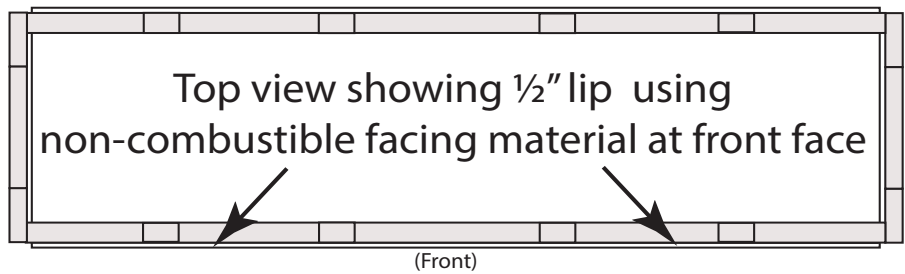


Figure 13 - Framing dimensions using all non-combustible materials for see-through fireplace; refer to Table 6.

LED LIGHTING INSTALLATION

This fireplace is equipped with LED lighting. Preparation for the LED lighting must be planned before the fireplace finish materials are installed. After the fireplace is set in its final location the LED lighting will need to be installed and tested before finishing materials are applied. You will need to provide the following:

(1) 120VAC GFCI outlet double gang junction box with a weatherproof cover. Provides power to LED lights. Must be accessible for service. Follow local electrical codes for installation.

A triple gang junction box with switches is provided with the fireplace. It must be installed within the framing parameters of the fireplace.

Step 1: Install the GFCI outlet double gang junction box with a weatherproof cover on the opposite side of the inlet gas supply.

NOTE: This is not a requirement; however, with the gang box on the opposite side of inlet will create more room for LED installation.

Figure 16 shows GFCI gang box installed.

The electric junction box (GFCI) with a weatherproof cover must be installed in the shaded area shown below. Ensure the j-box is close to the floor area where the fireplace is sitting and not touching the burnerpan.

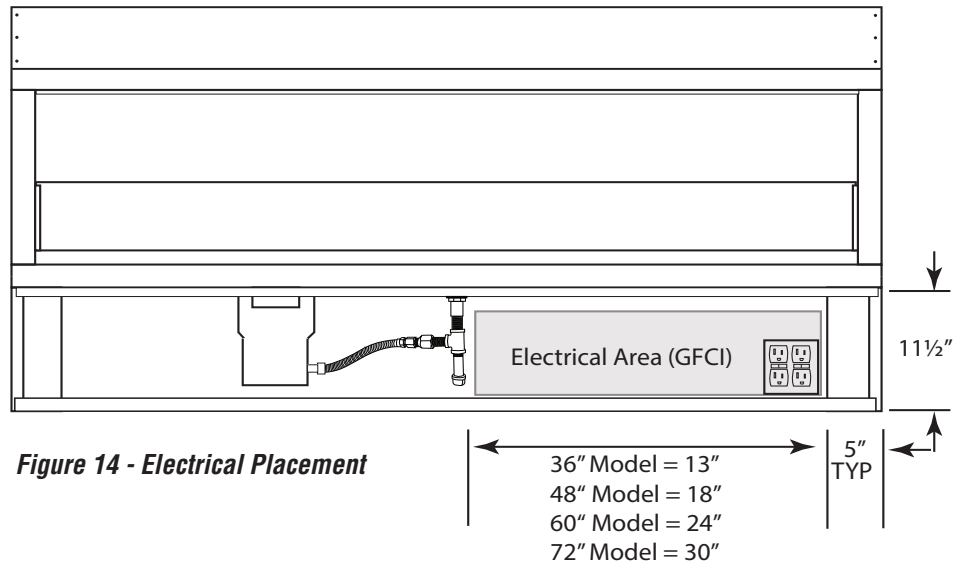


Figure 14 - Electrical Placement

Step 2: Find mounting location for the GFCI gang box. Figure 15 shows flat area underneath burner pan. Mount box underneath the burner pan, below the square (cutout) hole area. Figure 16 shows the GFCI outlet double gang junction box with a weatherproof cover mounted underneath the fireplace.

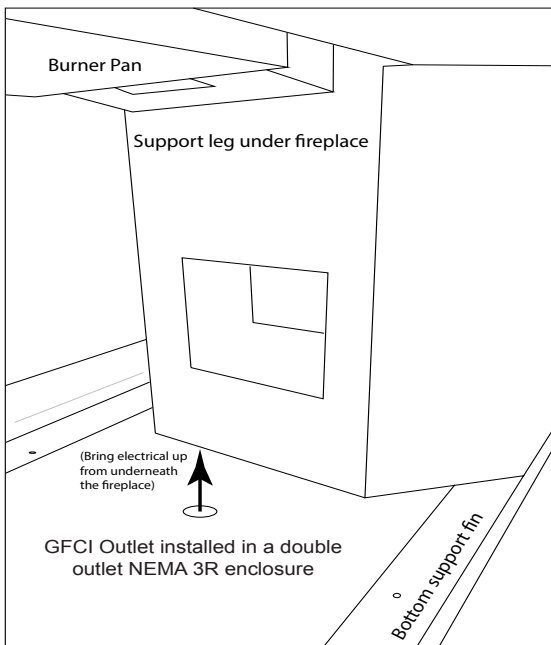


Figure 15 - GFCI box location under fireplace

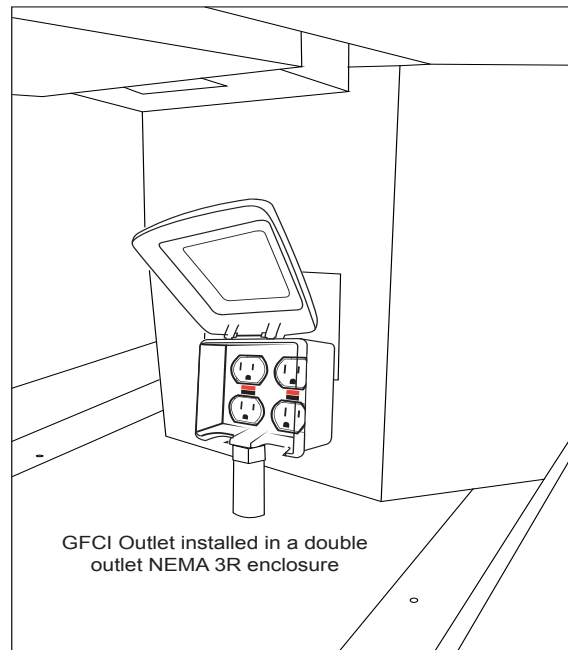


Figure 16 - Show GFCI box mounted in fireplace

LED LIGHTING INSTALLATION

Continued

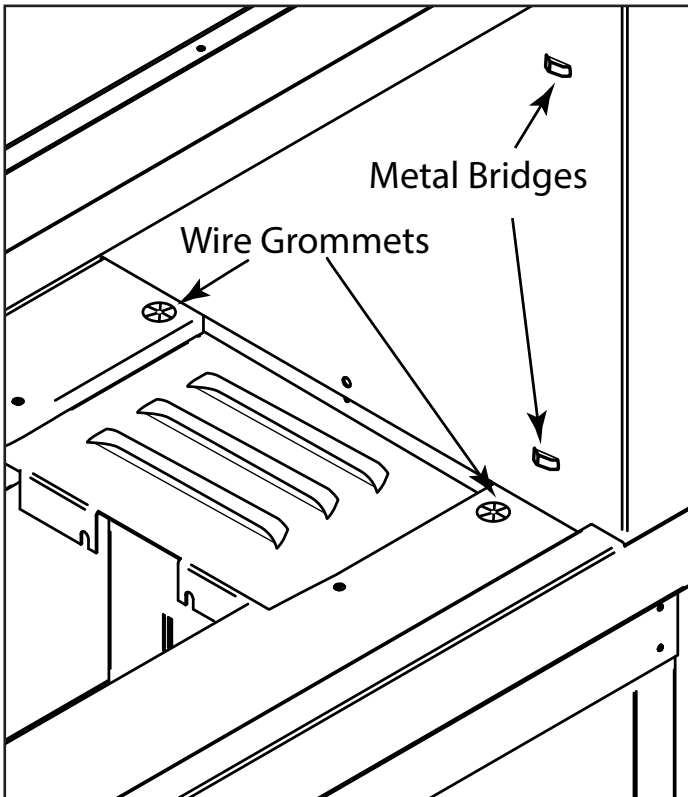


Figure 17 - Locating wire grommets

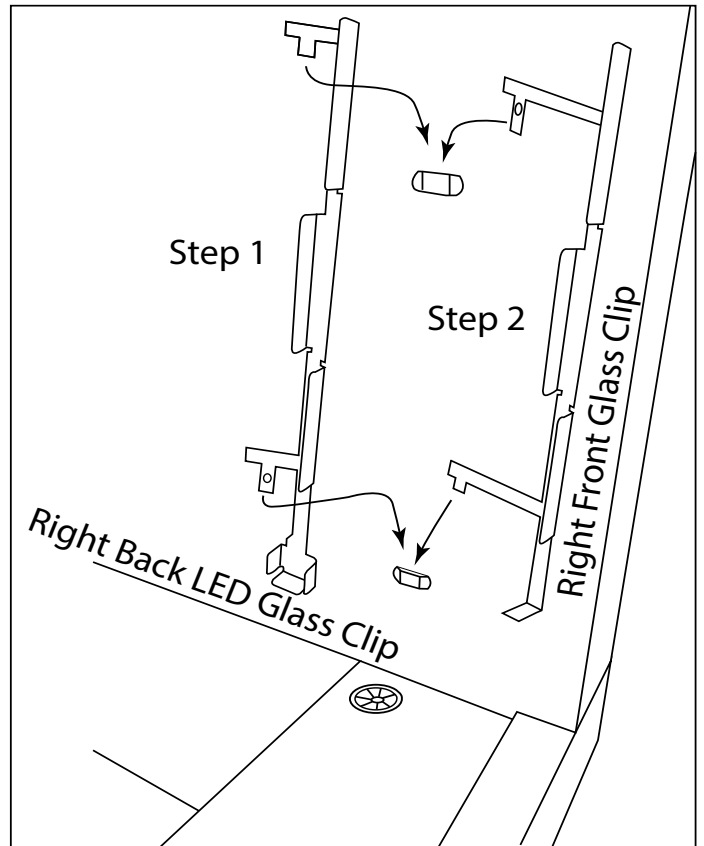


Figure 18 - Shows clip installed on right side of fireplace

Step 3: Locate the wire grommets inside the firebox. See Figure 17. Directly above them will be a series of metal bridges to install the glass panel clips. Remove the glass panel clips from the glass panel packaging. **CAUTION:** The metal clips may have sharp edges, handle with care.

There will be (4) glass clips. **Peel the plastic coating from each glass panel clip before installing.** The two longest clips are use for the LED tray assembly and the shorter glass clips will installed in front of the LED clips. The LED clips (two longest clips) are installed first, closest to the burner tray. Note: There are two right side and two left side clips supplied.

Install the LED glass clips by sliding them down through the metal bridges as shown in Figure 18. Install (1) clip on the left and (1) clip on the right side of the inner fireplace side panel. Note: If you are preparing an optional see-through fireplace you will install a total of (8) glass clips, two for each open side. The additional clips are supplied with the see-through conversion kit. Note: If you are preparing a see-through fireplace you will install a total of (8) glass clips, (4) on each open side.

Step 4: After each LED glass clip is installed, use a flat blade screw and carefully bend the bottom tab out and upward to lock it into position. Use a fingertip or pliers to press the tab flat against the metal bridge to lock it into place. See Figure 19.

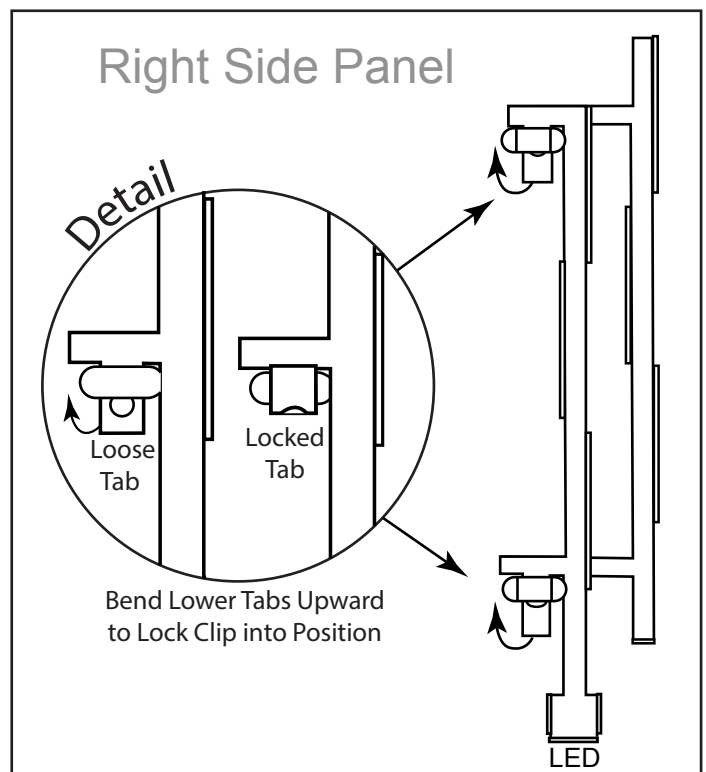


Figure 19 - Installing windshield clips

LED LIGHTING INSTALLATION

Continued

Step 5: Remove the LED right channel assembly from the carton (The front of the channel has a shield facing the front with the LED wire hanging on the right side). *See Figure 20 and Figure 21 for details. NOTE: If you are installing into a see-through fireplace you will install both right and left channels assemblies.*

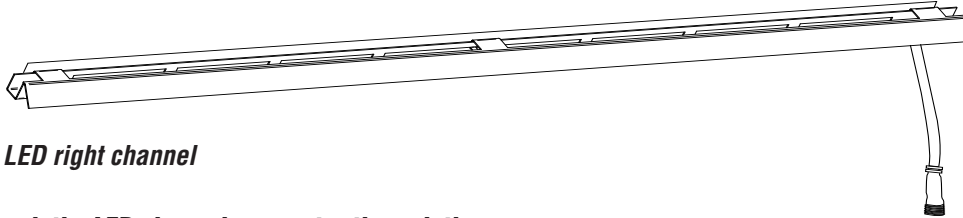


Figure 20 - Shows LED right channel

Step 6: Carefully push the LED channel connector through the wire grommet. As you push it through the grommet sit the LED channel into the bottom of the glass clip. Ensure the other end of the channel is also sitting inside the other retainer clip. *See Figures 21 & 22 as a reference. Note: If you are installing into an optional see-through fireplace, install the other LED light strip and channel the same direction to ensure wires will connect.*

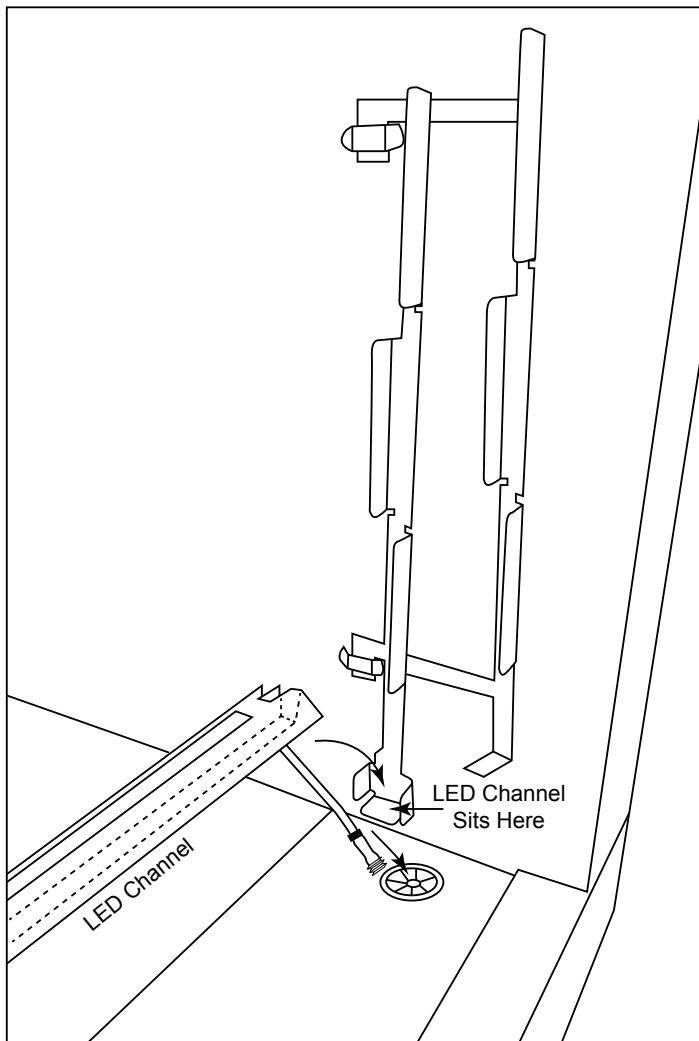


Figure 21 - Installing LED lights and channel

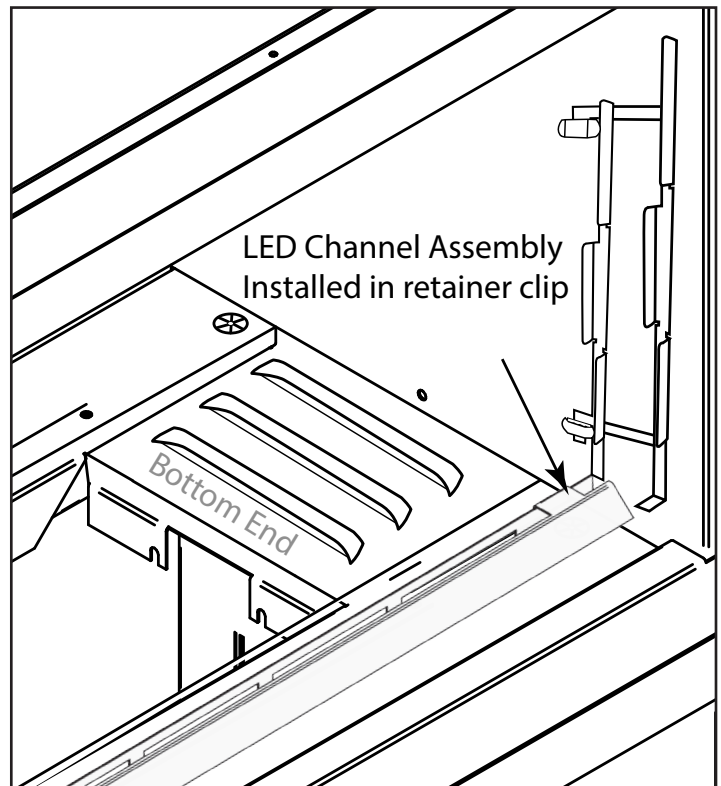


Figure 22 - LED installed in retainer clip inside fireplace

LED LIGHTING INSTALLATION

Continued

Step 7: If needed, remove the screws from the “bottom end” of the burner pan area to provide additional room for wiring the LED lights. The “bottom end” fills the space between the burner pan and the fireplace side panel. It is held into place with three (3) screws. See Figure 23. First remove the two inside screws, then the screw securing the side wall. Lift up the area where the two screws were and push down where the single screw was, then lift the bottom end out of the fireplace.

Step 8: Using Figure 23 below, insert the LED channel assembly female connector part, Cat. No. F3499 (protruding through the wire grommets) to the LED male connector. The male end of the LED connector will only insert into the female connector in one direction. Once locked in position, screw the threaded cap of the female connector securely over the male connector. Note: If you are using one set of LED lights the other female connector Cat. No. F3499 will not be used. See Figure 24.

Step 9: Attach Cat. No. F3499 to F3500 using the molex connectors. After connecting the LED lights into the F3500 wire harness insert the 12-volt adapter 77102 with 1/4” terminals into the (red & black wires) of LED wireharness. Plug the 12-volt adapter into the 120VAC GFCI box with weather proof cover. See Figure 24, page 18.

Note: Re-install the “bottom end” if applicable.

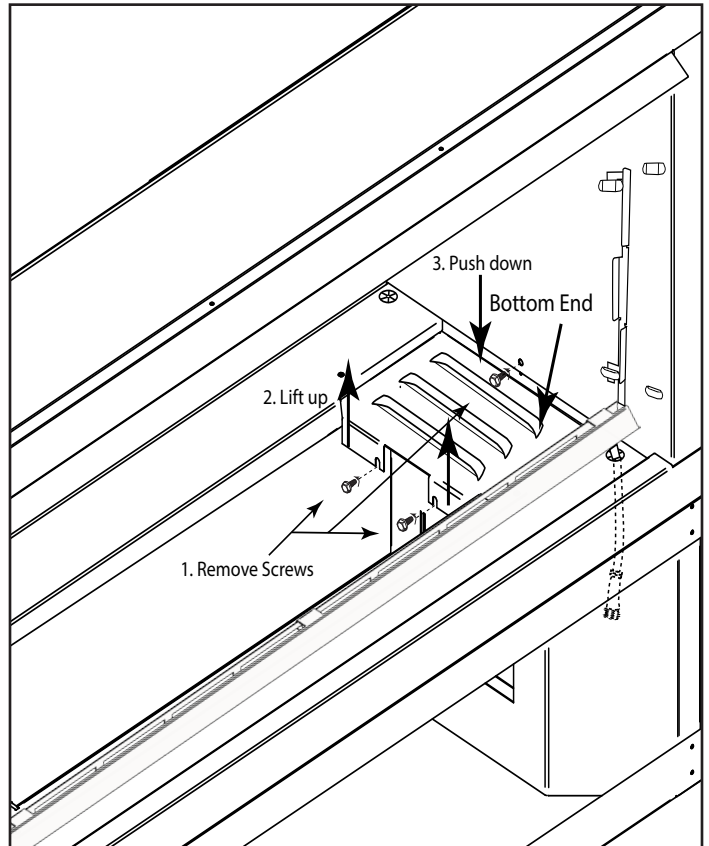


Figure 23 - Removing bottom end

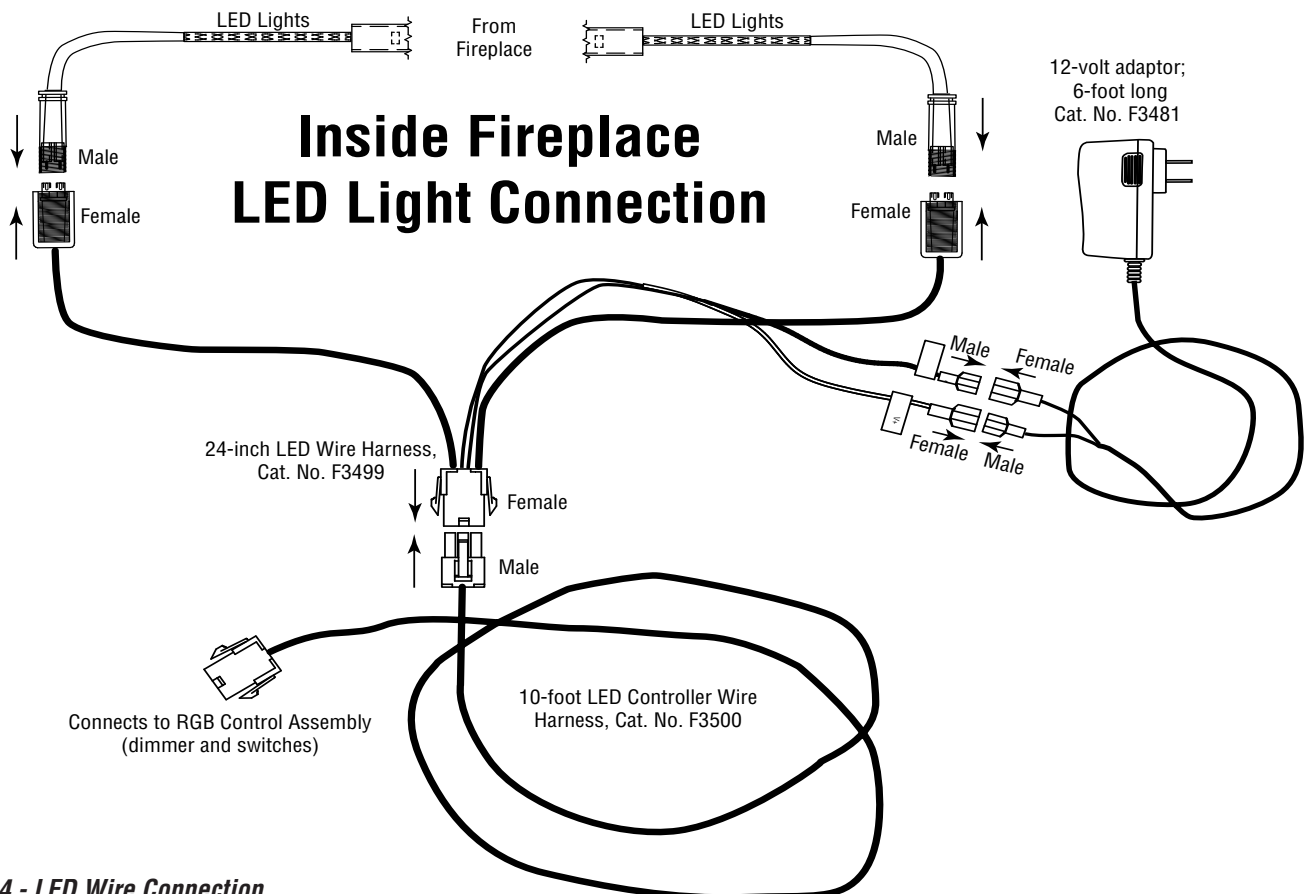


Figure 24 - LED Wire Connection

LED LIGHTING INSTALLATION

Continued

Step 10: Remove the RGB control box from the components parts carton. The fireplace is supplied with 10-feet of wiring for the RGB control box (switches and dimmer) installation. Find a suitable location within a close proximity of the fireplace for convenience of operation and mount the control box upright and level as shown in *Figure 27*. Use *Figures 25 and 26* for dimensional reference.

CAUTION: ENSURE ALL SWITCHES ARE IN THE OFF POSITION. "1" INDICATES IGNITE/ON AND "0" INDICATES OFF. LEARN BUTTON DOES NOT APPLY.

Step 11: Remove the four (4) outer screws from each corner inside the cover plate and lift off. See *Figure 25*. This will expose the mounting plate. See *Figure 26*. **CAUTION:** DO NOT REMOVE THE TWO CENTER SCREWS FROM THE COVER PLATE. THIS WILL RELEASE THE ENTIRE SWITCH BOX WIRING FROM INSIDE THE JUNCTION BOX AND MAKE IT DIFFICULT TO REINSTALL.

Take note of the 8-PIN and 6-PIN wire connectors. These are labeled LED lights (6-PIN) and Control Module (8-PIN) connections. These will be the final connection to the fireplace and crucial to the operation.

Step 12: Mount the RGB control box into the desired location. **CAUTION:** AVOID USING EXCESSIVE FORCE WHEN INSTALLING ANY CONNECTORS.

Step 13: Remove the 8-PIN module wire harness (Cat. No. F3500) from the components part box. Locate the 8-PIN male connector from the valve box (under the fireplace) and connect it to the 8-PIN female end of the wire harness. Connectors only attach one way; press together until it snap locks into place. See *Figure 27* for details.

Step 14: Feed the other end of the wire harness through the square access hole underneath the fireplace and pass the GFCI box, outside the fireplace to the RGB control box and connect. Connectors only attach one way; press together until it snap locks into place.

Step 15: Locate the two 1/4" male terminals from the valve box and connect the AF-4000ADP24 adaptor (Cat. No. F3482). Plug the 7.5VDC adaptor into the 120VAC GFCI box.

Step 16: Locate the 6-PIN wire harness (Cat. No. F3500) for the LED lights and feed the wire harness up to the RGB control box and attach. Connectors only attach one way; press together until it snap locks into place. See *Figure 27*.

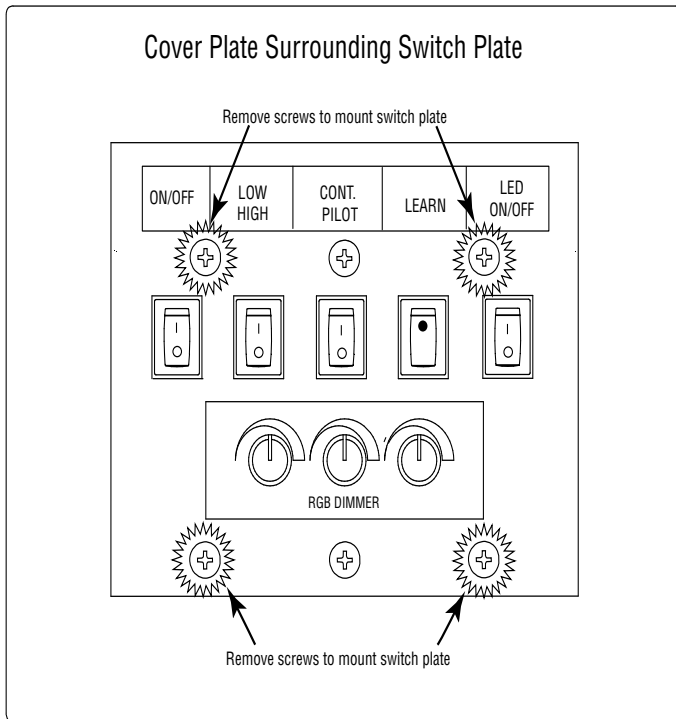


Figure 25 - RGB Control Box with 8-3/4" x 8-3/4" Cover Plate

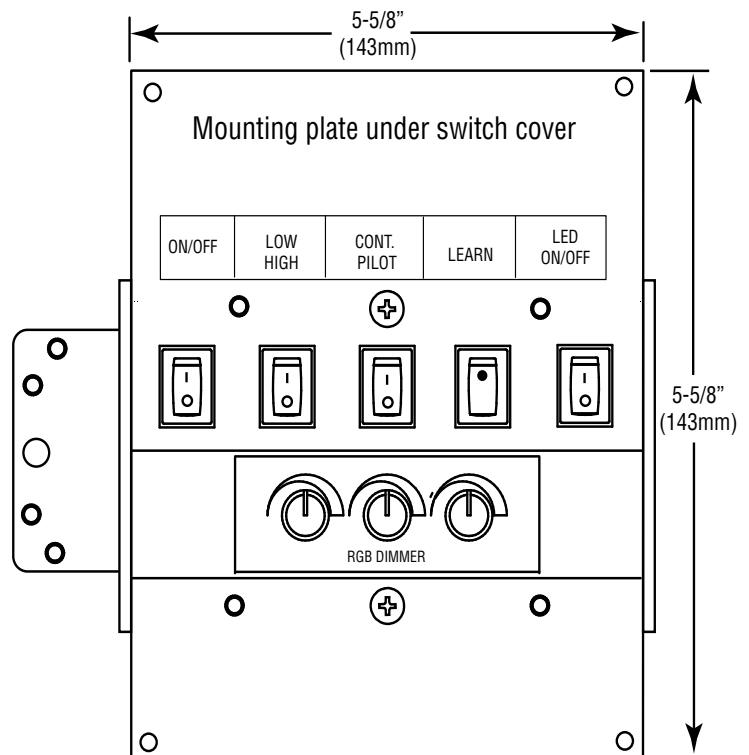
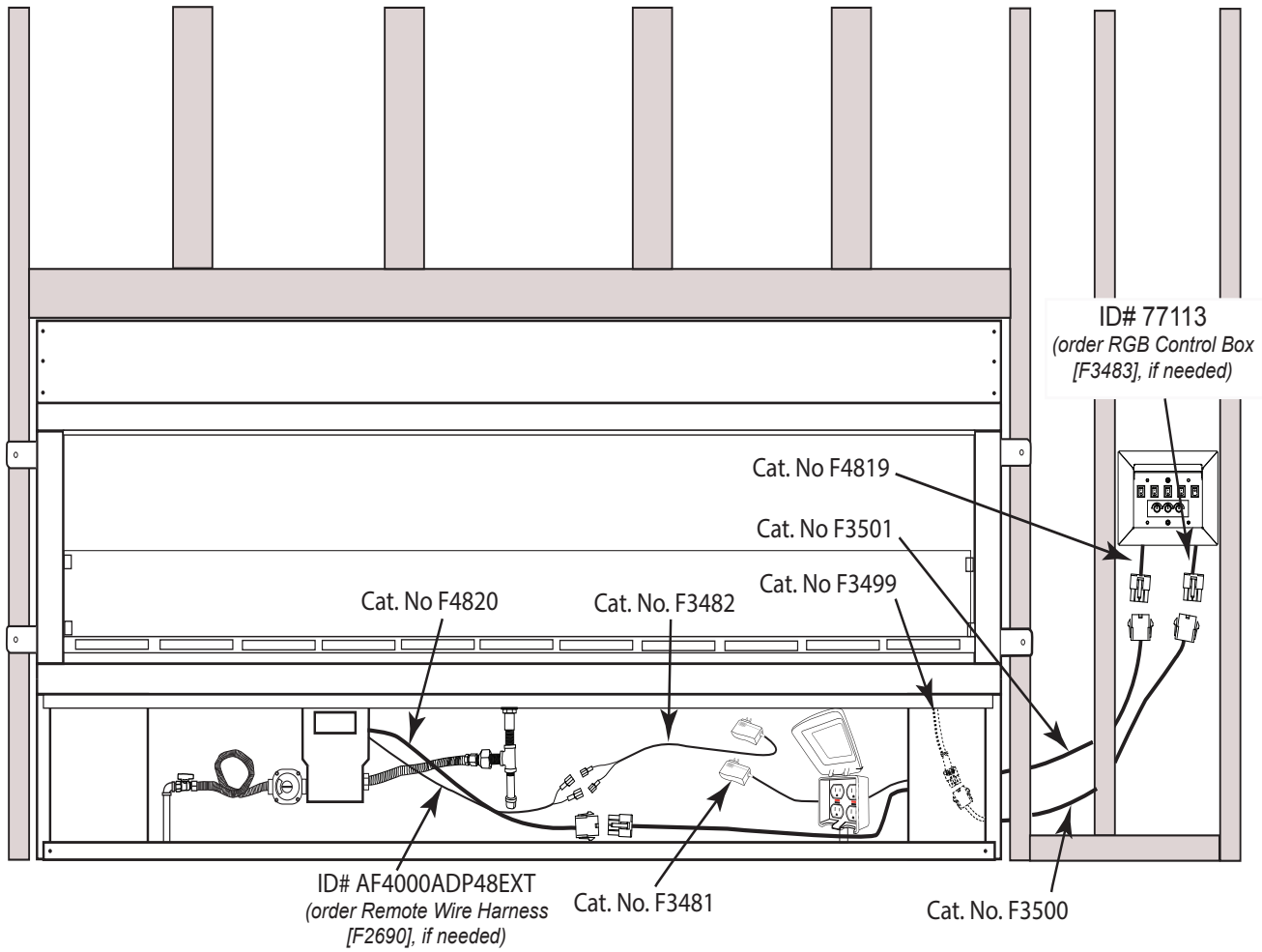


Figure 26 - RGB Control Box Mounting Plate

LED LIGHTING INSTALLATION

Continued

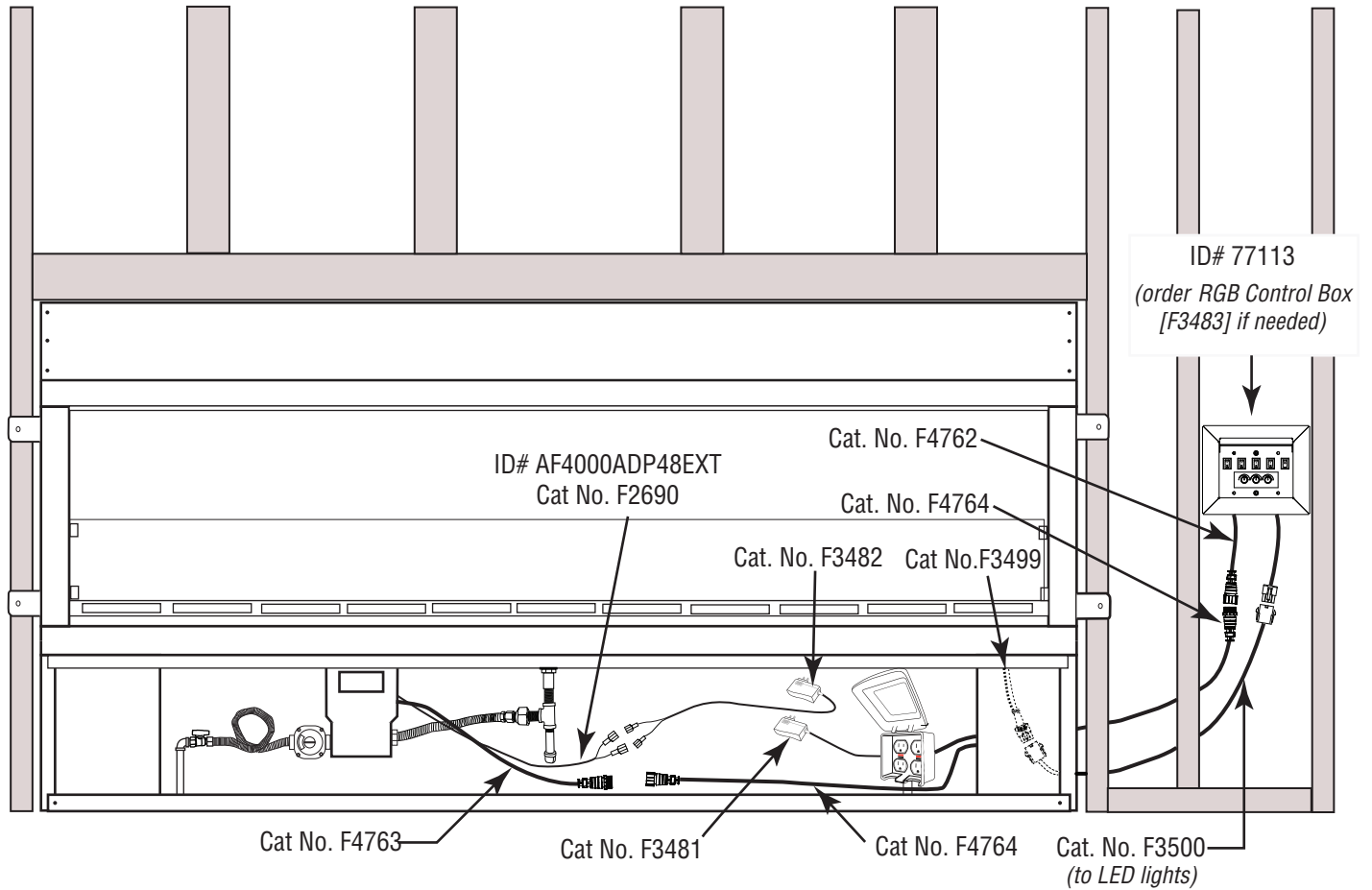


Note: Connectors shown may vary depending upon production date.

Figure 27 - Overview of fireplace wiring

LED LIGHTING INSTALLATION

Continued



Note: Connectors shown may vary depending upon production date.

Figure 27A - Overview of fireplace wiring

LED LIGHTING INSTALLATION

Continued

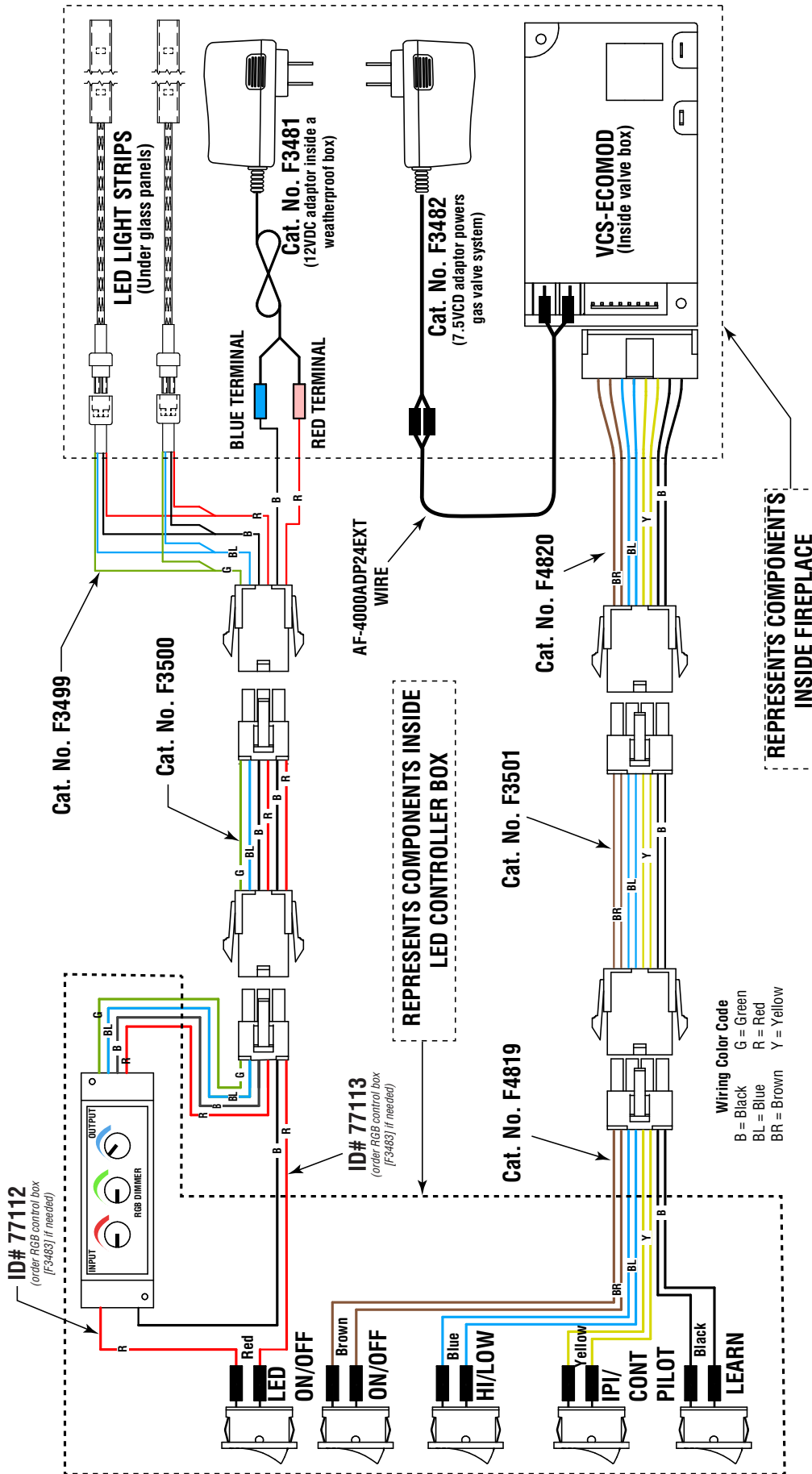
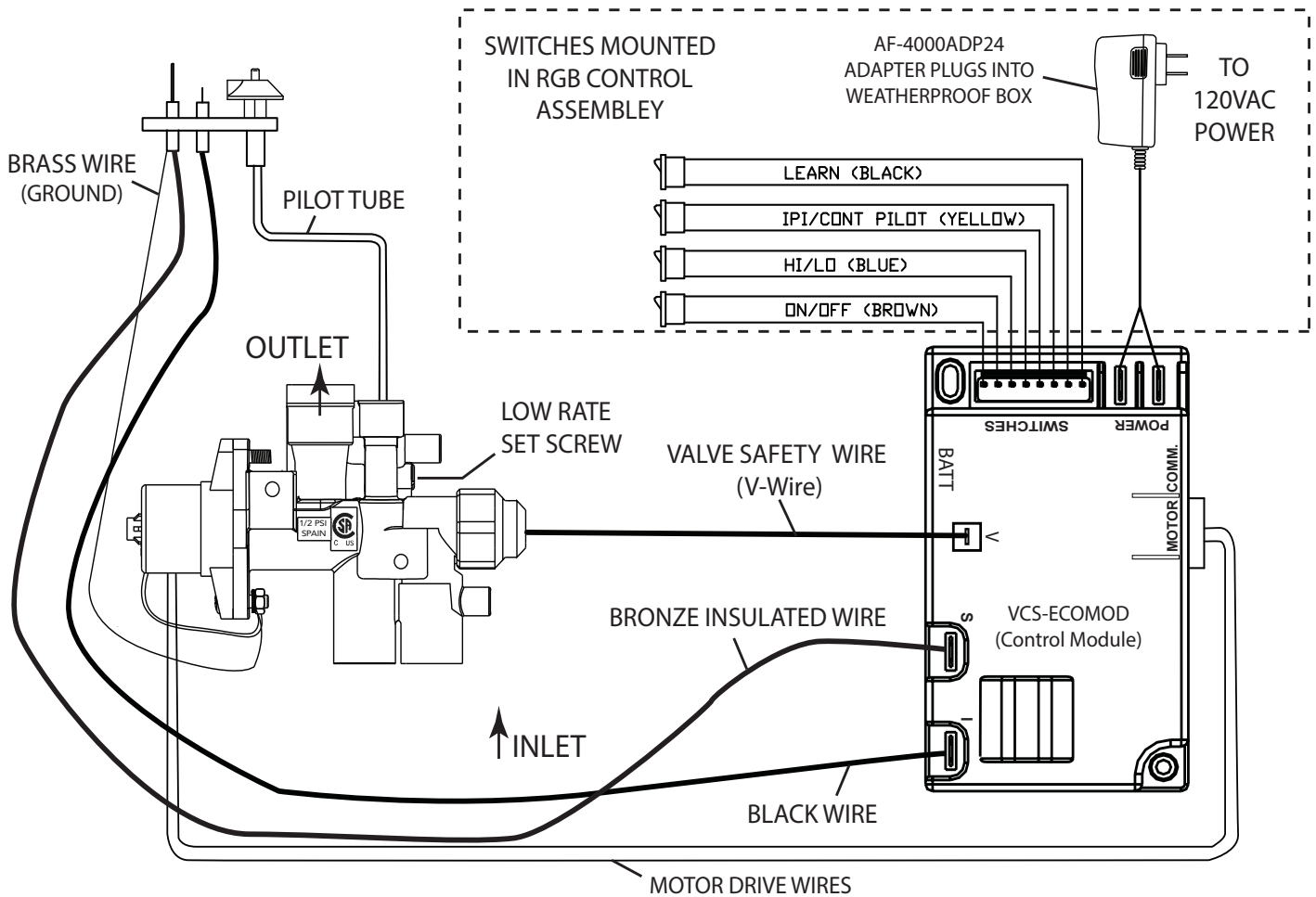


Figure 28 - This wiring diagram shows the LED circuit in relationship to the IPI gas valve control system. Each is independent of the other.

LED LIGHTING INSTALLATION

Continued



These Fireplaces are equipped with an electronic gas valve and has an IPI/CPI electronic ignition system. The IPI/CPI switch allows the pilot to be switched from intermittent mode to continuous mode:

- (IPI) Intermittent Mode—The pilot is extinguished when the fireplace is OFF.
- (CPI) Continuous Mode—The pilot stays ON when the fireplace is OFF.

Figure 29 - This wiring diagram shows the components inside the valve box. The dotted line box shows the components external of the valve box.

FINAL PREPARATION

Step 20: Install the burner pan back into the fireplace. See *Figure 30*.

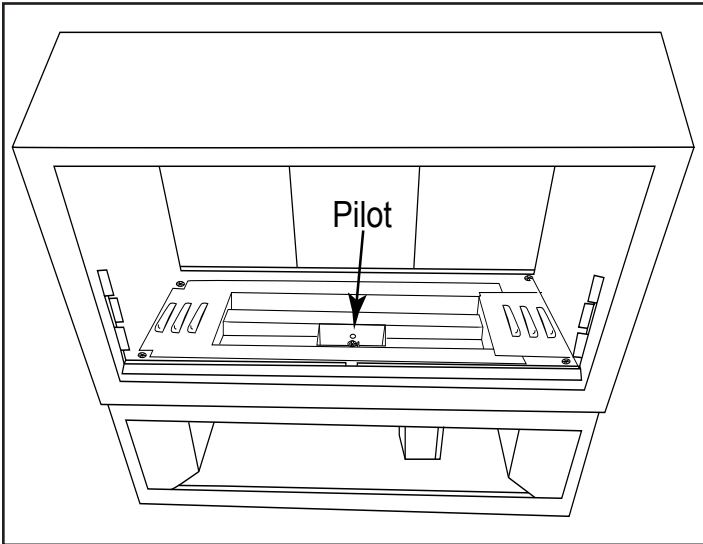


Figure 30 Shows burner pan installed into fireplace.

Step 21: Install ignition screen (from parts box) overtop of the burner tube with the cutout area centered behind the pilot box ignition hole as shown in *Figure 31*. The ignition screen sits on top of the burner tube.

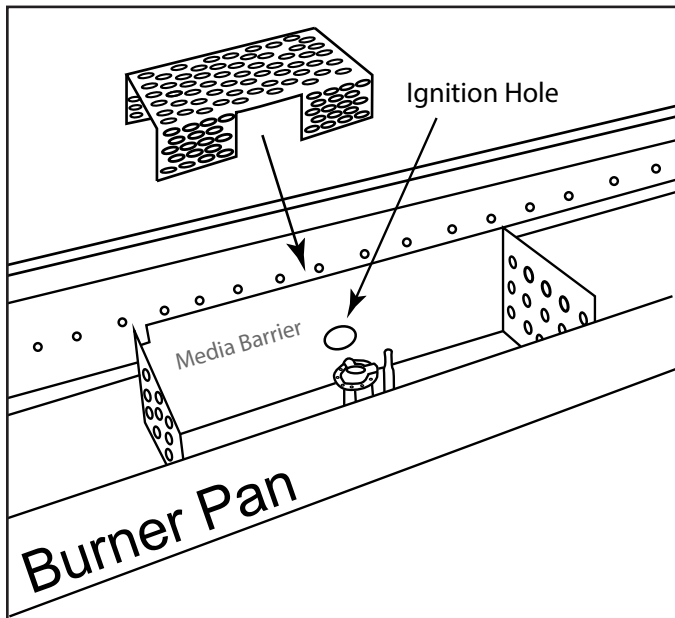


Fig. 31 Installing ignition screen.

NOTE: The pilot hood will have a plastic film that must be removed before installing.

Remove the plastic film from the pilot hood and place hood on top of the pilot box as shown in *Figure 32*.

Step 22: Place pilot hood on top of the pilot box and ensure it sits flat, providing ventilation for the pilot at the front edge of the burner pan. See *Figures 32 and 33*.

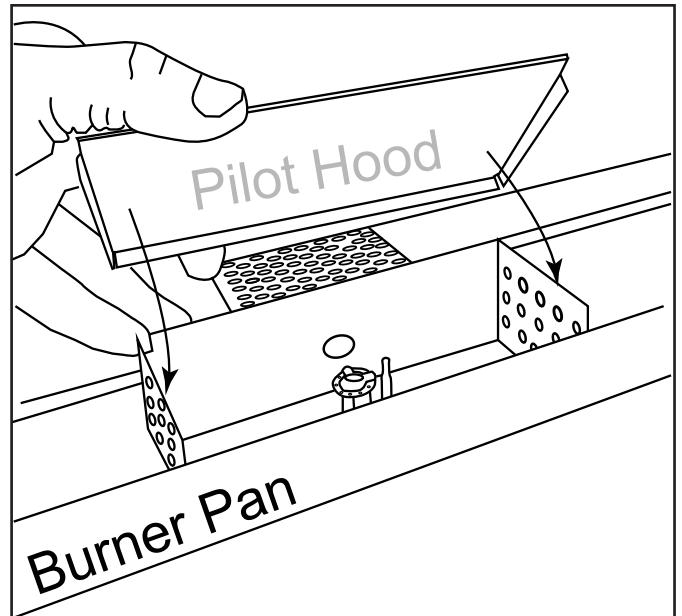


Figure 32 Pilot hood installing over top of pilot box.

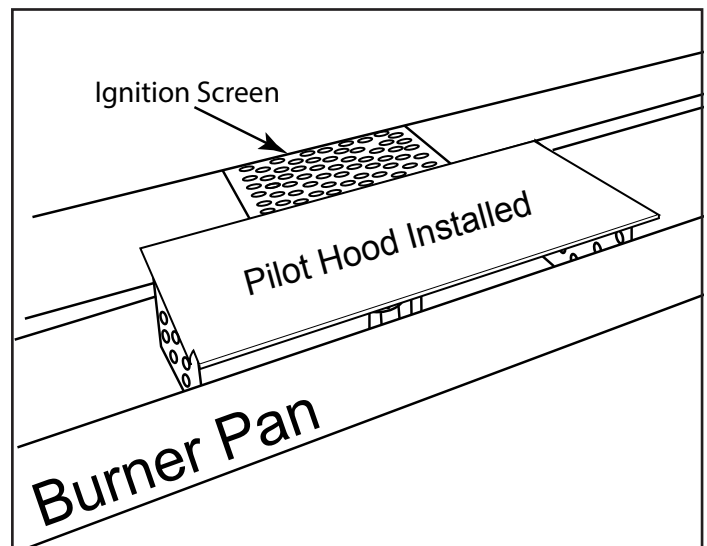


Figure 33 Pilot hood installed, showing ventilation at front edge of burner pan.

FINAL PREPARATION

Continued

PILOT OPERATION & TEST FIRE

Step 23: The pilot assembly is located in the center of the burner. Ensure the pilot flame is passing through the ignition hole, to the burner for proper ignition. Use the Figure 33 as a guide.

Test fire the fireplace before installing media to ensure flame is passing through igniton hole as shown in Figure 31, page 23. This is a good time to double check for any gas leaks or electrical connections before finalizing the installation by installing the glass media.

INSTALLING MEDIA

Step 24: Open the media box and install the glass media as shown in Figures 34 - 36. Place media fireglass into the trough area first as shown in Figure 35. Use the remaining media to fill the burner pan equally on both sides. Install only one layer over top of the ignition screen (Figure 32), just enough to camouflage it.

Keep media in burner pan the same level as the trough to allow the burner area to appear as one complete burner pan.

IMPORTANT: Media can only be placed in the trough and burner pan area. No media is to be place into the shaded area shown in Figure 37, page 25.

CAUTION: Ensure there is no media in the ignition hole area. The burner tube gas ignites in this area to light the fireplace. Media in this area could cause delayed ignition.

The fireplace requires 1/2"-3/4" large broken fireglass to be installed into the burner trough and burner pan. Use the table below to assist in determining the amount of media needed for your specific model.

Large Broken Glass	
Model #	Burner pan & Trough
36"	15lbs.
48"	20lbs.
60"	25lbs.
72"	25lbs.

Table 7 Media specifications. Requires 1/2" - 3/4" fireglass (Burner pan media amount does not include the trough)

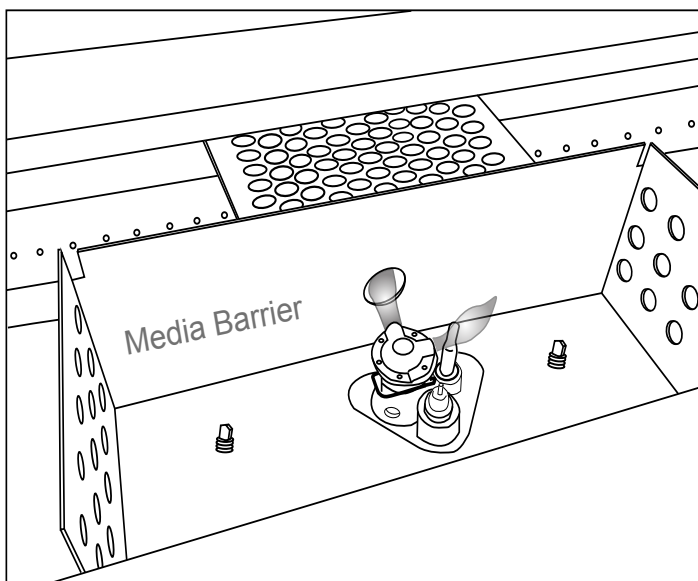


Figure 34 Proper pilot flame through ignition hole.

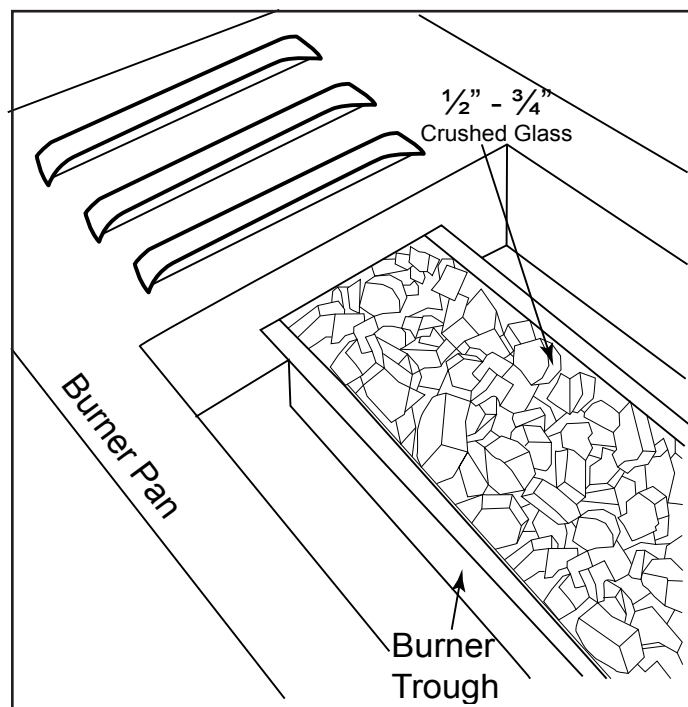


Figure 35 Installing media into the fireplace.

FINAL PREPARATION

Continued

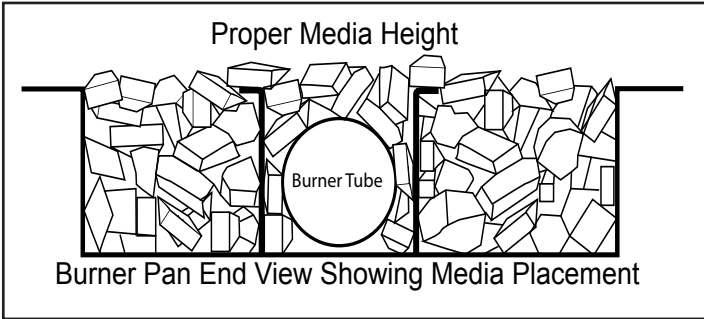


Figure 36 End view of burner with media.

Note: Media amounts listed in Table 7 are guides and can vary depending on media used. Ensure not to cover more than ½ -inch above the actual burner tube and keep all media within the burner pan area (See Figure 37).

WARNING: Media must be installed in the fireplace as previously described and used during operation.

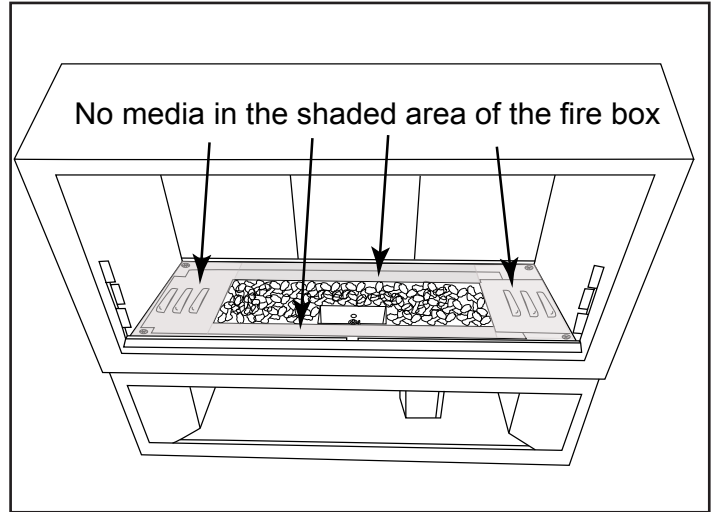


Figure 37 Covering the entire fireplace floor is NOT permitted in the shaded area.

INSTALLING HOOD(S)

Step 25: The fireplace requires a hood to be installed into the upper opening of the firebox. All models require five (5) screws to secure the hood to the fireplace except the 72-inch model, which uses seven (7) screws (77129 - 8-32x1/2" stainless pan head) to secure the hood. The hood protrudes 1-inch from fireplace opening. Figure 38 shows hole location and installation process for hood installation. The protruding area of the hood is to be angled downward for proper installation, see Hood Detail below.

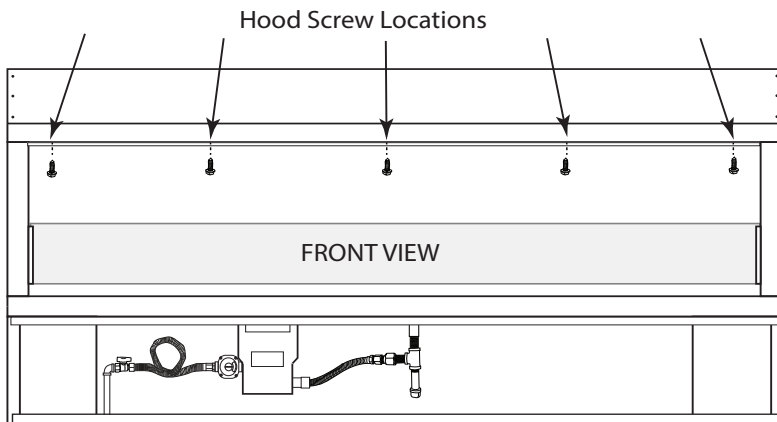
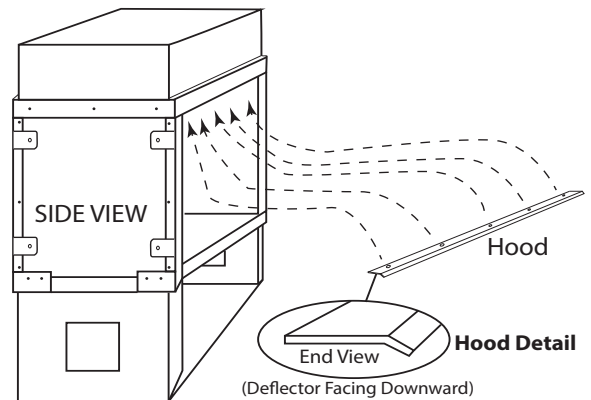


Figure 38 Show hood hole location, depending on size.



FINAL PREPARATION

Continued

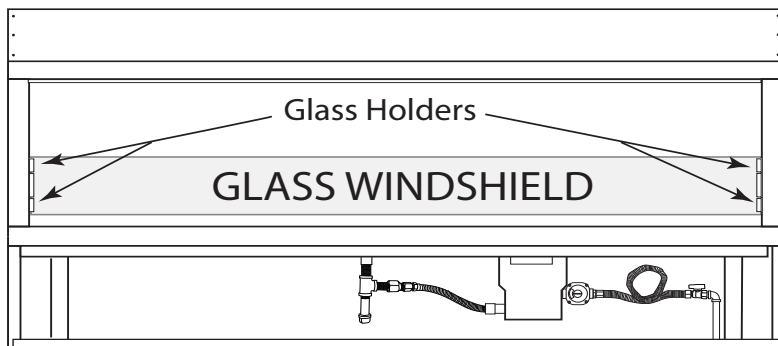


Figure 39 Glass clips location.

! DANGER



**HOT GLASS WILL
CAUSE BURNS**

**DO NOT TOUCH
GLASS UNTIL COOLED**

**NEVER ALLOW CHILDREN
TO TOUCH GLASS**

A barrier designed to reduce the risk of burns from the hot viewing glass is provided with this appliance and shall be installed for the protection of children and other at-risk individuals.

INSTALLING REMAINING GLASS CLIPS

Step 26: Install the remaining (2) glass clips in front of the LED clips as described on page 16 in Steps 3 and 4, Figures 18 and 19.

GLASS PANEL/WINDSHIELD INSTALLATION

Step 27:

- Carefully unpack the glass panels.
- Using gloves carefully lift one glass panel, into the fireplace opening, over top of the glass clips, and slide it down into the metal retainer clip, supporting the glass at the top and bottom as you handle it. See Figure 40. As the glass enters the clip the bottom edge of the glass will rest in place on the bottom of the clip.
- Install the second glass pane in the same manner as described in Figure 40.
- Both glass panels should be level when installed.
- Center glass between clips after installation.

“WARNING: Both glass panels must be installed when the fireplace is in operation”. Note: All four (4) glass panels must be installed on optional see through fireplaces.

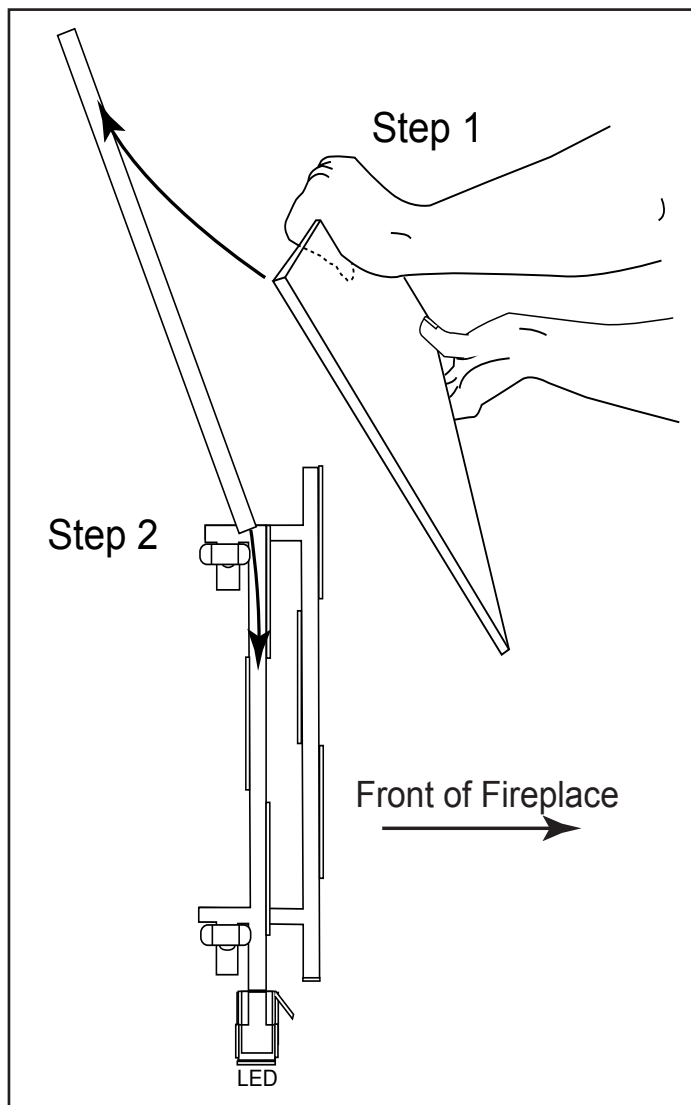


Figure 40 Installing glass panels.

CAUTION: THIS IS TEMPERED GLASS. DO NOT CHIP GLASS. CHIPPED TEMPERED GLASS CAN BREAK WITHOUT WARNING.

FINAL PREPARATION

Continued

FLAME HEIGHT

Proper flame height (*Figure 41*) should be at the top edge of glass windshield (peaking above at times) while on HI setting. Note: Glass windshield is 7-inches tall. The LO setting will be at least half of the height of HI or maybe lower. There can be a variance in flame height between Natural Gas and Liquid Propane (LP) Gas models.

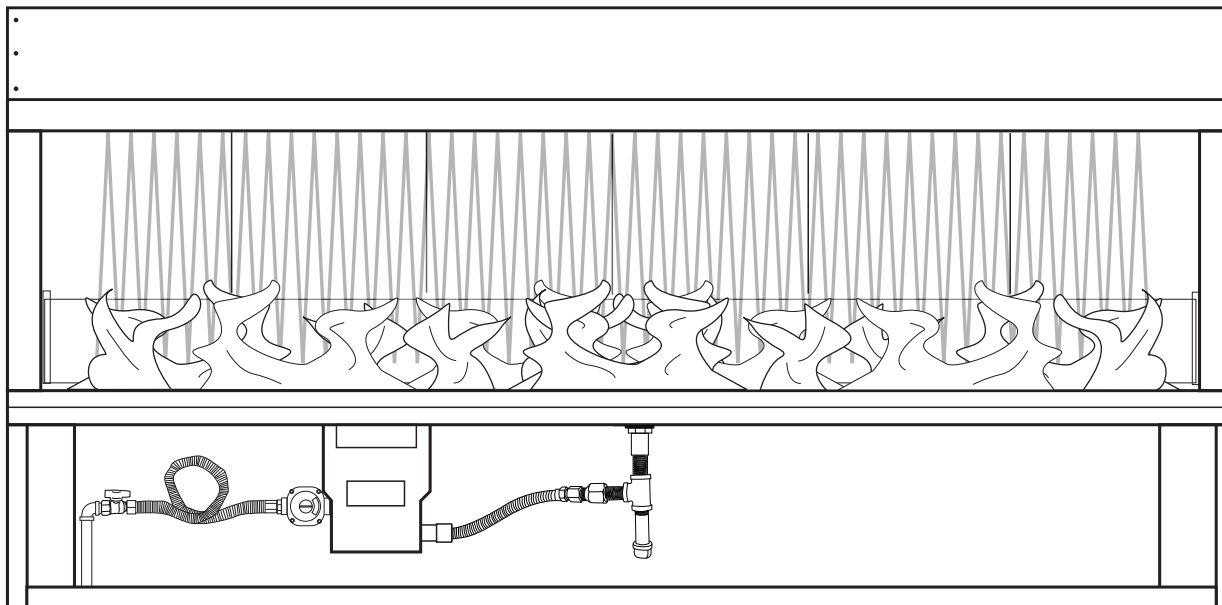


Figure 41 Proper flame height.

PROGRAMMING OPTIONAL REMOTE CONTROLS

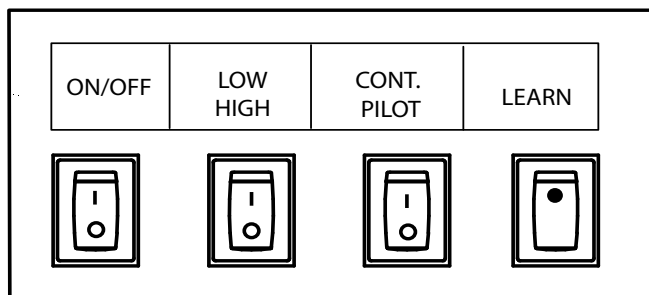


Figure 42 Control panel

LEARNING TRANSMITTER TO MODULE

1. To **LEARN** (pair) the remote transmitter to the control module, press and release the **LEARN** button (switch) in the control box. See *Figure 42*. You will hear single audible beep indicating the module is ready to learn the transmitter security code. Press any button on the transmitter within 60 seconds. The code is accepted when you hear 4 short beeps in rapid succession. Security codes will be retained in memory indefinitely if power is removed. Note: Control module accepts a total of three (3) wireless transmitters.
2. To **Clear Codes**: Press and hold learn switch on for 6 seconds to clear all transmitter security codes retained in memory. Codes are clear when you hear three long beeps in succession.

Note: After “Learning” the remote control to the control module you will be able to operate the fireplace with the remote, without pushing any of the switches inside the control box. You still have the option to operate the fireplace manually if needed by accessing the control box and pushing the ON/OFF switch. Refer to the lighting instructions above.

OPERATION

CAUTION: Children and adults should be alerted to the hazards on high surface temperatures and should stay away to avoid burns or clothing ignition. Young children should be carefully supervised when they are in the area of the appliance.

WARNING: Do not use this appliance if any part has been under water. Immediately call a qualified service technician to inspect the appliance and to replace any part of control system and any gas control, that has been under water.


SAFETY WARNINGS

1. Never leave the fireplace unattended during operation.
2. Clothing or other flammable materials should not be hung from the appliance or placed on or near the appliance.
3. Any guard or other protective device removed for servicing the appliance must be replaced prior to operating the appliance.
4. Installation and repair should be done by a qualified service person. The appliance should be inspected before use and at least annually by a qualified service person. More frequent cleaning may be required as necessary. It is imperative the control compartment, burners and circulating air passageways of the appliance be kept clean.
5. Inspect the fuel supply connection before each use of the appliance.
6. Temporary storage of this appliance indoors is permissible only if it has been disconnected from its fuel supply (Natural or L.P. gas line).

WARNING

1. This appliance is hot when operated and can cause severe burns if contacted.
2. Do not burn any solid fuels in this appliance.
3. These appliances are not designed or intended to be used for cooking. Do not barbecue, heat food, or roast marshmallows in this appliance. Doing so could damage the appliance and cause injury.
4. These appliances are not designed or intended to be used for cooking. Do not barbecue, heat food, or roast marshmallows in this appliance. Doing so could damage the appliance and cause injury.

line is purged). During this time, an “Ignition In-Process” beeping pattern will take place. (e.g. one short beep, pause, three short beeps, pause; repeated until ignition occurs). *NOTE: Beeping pattern may be difficult to hear outdoors.*

3. The main flame ignites (defaults) in the HIGH position. Press the “1” on the LOW/HIGH button to adjust to the LOW setting.
4. A continuous pilot flame can be turned ON or OFF with the continuous pilot button.
5. Push the “1” on the LED ON/OFF switch. LED’s will turn ON. Adjust the intensity of the lighting by turning the knobs clockwise  on each dimmer knob. There is infinite color combinations by adjusting the dimmer knobs to personal taste.

HOW TO TURN OFF

1. To turn OFF the fireplace press the “0” position on the ON/OFF switch. This will turn OFF the fireplace. *NOTE: Fireplace must be OFF for 5-minutes before relighting.*

To turn OFF the LED lights in the fireplace press the “0” position on the LED ON/OFF switch. This will turn OFF the LED lights. The LED lights are independent of the fireplace and can be used when the fireplace is not in operation.

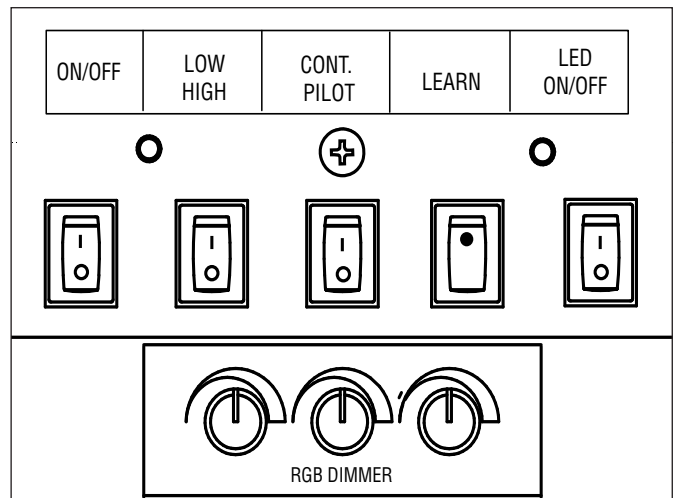


Figure 43 - Control panel

LIGHTING INSTRUCTIONS

READ ALL WARNING AND SAFETY INFORMATION ABOVE BEFORE ATTEMPTING TO LIGHT FIREPLACE

1. Turn ON main gas supply and check all fittings and connections for leaks with a soap and water solution.

HOW TO TURN ON

2. Push the “1” on the ON/OFF switch to turn ON (System will take approximately 7-10 seconds before ignition after the gas

FIREPLACE MAINTENANCE

WARNING

- Turn off gas and any electrical power before servicing the appliance.
- Let fireplace completely cool before cleaning.
- Failure to keep the primary air opening(s) of the burner(s) clean may result in sooting and property damage.
- Burner Flame Pattern - If yellow tipping occurs, your fireplace could produce increased levels of carbon monoxide. Do not mistake orange flames with yellow tipping. Dirt or other fine particles enter the fireplace and burn causing brief patches of orange flame.

CAUTION

You must keep control areas, burner and circulating air passageways of fireplace clean. Inspect these areas of fireplace before each use. Have fireplace inspected yearly by a qualified service person.

Inspect Burner Assembly. If it is evident that the burner is damaged, the burner must be replaced with one specified by the manufacturer before the appliance is put into operation.

Inspect Burner Flame and Pilot Flame Appearance Periodically do a visual check of the burner flame and the pilot flame. Ensure that the burner flame appearance resembles the flame shown in *Figure 41, Page 27*. Refer to *Figure 34 on Page 24* for more information about the pilot flame appearance. Contact a qualified service technician at once if any abnormal condition is observed.

Verify proper operation after servicing.

S'assurer que l'appareil fonctionne adéquatement une fois l'entretien terminé.

1. The fireplace should be inspected and cleaned before first use at the beginning of each season by a qualified field service person.
2. Any component that is found faulty must be replaced with an approved component.
3. Any tampering with or modifying the fireplace is dangerous and voids all warranties.
4. During winter months in cold climates and various seasons operation the fireplace may be affected by weather conditions. It is recommended to use a weather proof cover overtop for your fireplace to protect it from humid/rainy weather conditions when not in use. Heavy rains/downpours could affect the fireplace operation if not covered; if this occurs ensure you allow the fireplace time to dry out before attempting to operate. *NOTE: If a combustible type cover is used over the fireplace when not in use be sure to remove it before operation to prevent a severe safety hazard.*
5. Carbon (soot) may build up on the metal interior during heavy use. Sooting may also occur periodically under the pilot cover. **CAUTION:** Ensure fireplace is cool to touch and gas is turned OFF. To clean, mix several drops of dish washing liquid into a bucket of hot water. The dish soap assists in breaking up the soot and removing it from the metal.
 1. Dip a scrubbing sponge into the soapy water and wipe it back and forth over the soot deposits. This breaks off the majority of the soot from the metallic surface.
 2. Spray any remaining soot deposits with a combination of warm water and white vinegar mixed in a spray bottle in a half-and-half solution. White vinegar is slightly acidic and this helps break up the soot and cleans the metal effectively.
 3. Run a nylon scrub brush against any stubborn soot to remove it from the metal. Avoid using a metal scrub brush since this can result in scratching.
 4. Buff the metal with a damp rag to remove any remaining soap or vinegar and then dry it with a dry rag.
6. Over time stainless steel parts can discolor when heated, usually a golden or brown hue. This discoloration is normal and does not affect the performance of the appliance.

GENERAL TROUBLESHOOTING

Symptom	Remedy
Fireplace Won't Light	<ol style="list-style-type: none"> 1. Bleed gas line. 2. Ensure all gas lines are turned ON. 3. Ensure there is not too much media overtop the burner, it can inhibit the gas flow. Too little or no media can also contribute to non-lighting. 4. Ensure adaptor is plugged in. 5. Verify 120VAC power at junction box under burner pan. 6. Media blocking pilot hole. See <i>Figure 34 on Page 24</i>.
No Spark to Ignite	<ol style="list-style-type: none"> 1. Visually look at igniter for any physical damage. 2. Ensure adaptor is plugged in and reads 7.5VDC
Continues to Spark after Lighting	<ol style="list-style-type: none"> 1. Thermocouple out of alignment. 2. Check connection of thermocouple at "S" terminal on control module to ensure it is connected.
Low Flame	<ol style="list-style-type: none"> 1. Use only glass media provided with appliance or listed in the accessory section of this manual (<i>see Page 31</i>). Ensure that the media is no more than 1-inch over top of burner. 2. Ensure all shutoff valves are fully open (<i>see Page 5, Figure 1</i>). 3. Check for spider webs inside burner orifice. 4. Check gas pressure.
Water in my Fireplace	<ol style="list-style-type: none"> 1. Excess dust/sand material from media may be blocking the weep holes to relieve water. Remove all media and unplug weep holes. Clean or install new media free of dust and dirt. 2. Ensure fireplace has proper drainage for water and proper ventilation to dry out.
Whistling Noises	<ol style="list-style-type: none"> 1. Check media to ensure it is not too tightly packed around the burner tube. 2. Ensure a non-whistling flex connector is being used.
Fireplace Won't Stay Lit	<ol style="list-style-type: none"> 1. Check alignment of pilot flame through ignition hole on <i>Page 25, Figure 34</i>. 2. Thermocouple reading should be between 10-20mV. Test at the brass ground lead on gas valve and the gold lead at "S" terminal on the control module. If no minimum millivolts are maintained replace the TC. Must test with pilot running to obtain readings. 3. Check continuity of thermocouple. Using a volt meter remove the TC test lead "S" from the control module and the brass fork terminal from the gas valve. Test for continuity. If no continuity then replace the TC. 4. Ensure thermocouple is clean and free of any debris. Excessive soot can be an issue.
Low Flame Height	<ol style="list-style-type: none"> 1. Wrong media installed into the burner trough. 2. Too much media installed overtop of the trough (<i>See Page 25, Figure 36 for details</i>).
Sooting	<ol style="list-style-type: none"> 1. Incorrect gas for the fireplace. Ensure rating label has proper model number for gas being used. 2. Too much media can cause sooting. 3. Wrong media being used. (<i>See Page 25 for details</i>).

ERROR CODE TROUBLESHOOTING

Error Codes

The control module has the ability to detect problems with the valve kit system and will initiate error codes when they occur. The error codes listed below will guide you to solving troubleshooting issues.

Ignition Safety Error: One short beep every one second.

Cause: Pilot did not light within the trial period of 50-60 seconds therefore step motor will turn gas valve to OFF position.

Corrective Action: Press OFF button to clear. Wait 30 seconds and try again.

Recycle Safety Error: Two short beeps every one second.

Cause: 1. Pilot automatically lights and drops out 3-times within 2-minutes causes step motor to turn gas valve to OFF position. 2. Someone has pressed the ON/OFF button 6-times within 2-minutes causing the step motor to turn gas valve to OFF position.

Corrective Action: Press OFF button to clear. After 5-minutes the beeping will stop then retry.

Sensor Safety Error: Four short beeps every one second (constant

beeping).

Cause: Pilot flame sensor voltage too high, ground circuit not properly connected, pilot ground wire loose or not connected, or motor not plugged into control module; therefore, step motor will turn gas valve to OFF position.

Corrective Action: Press OFF button to clear. Wait 30-seconds to thermocouple to cool down. If persist, then check other possible causes and retry.

Thermal Safety: Four short beeps every two seconds.

Cause: System has overheated and exceeded 170°F internal temperature limit and the step motor will turn gas to OFF.

Corrective Action: Internal temperature must cool down to below 160°F then press the OFF button to clear and retry.

Communication Safety: One short beep every four seconds.

Cause: Transmitter and module are not communicating properly. Could be related to distance greater than 20-feet away from each other or weak/dead batteries in one or the other.

Corrective Action: Module must receive a signal from transmitter.

PRODUCT REFERENCE INFORMATION

Product Reference Information Linear Electronic VF Outdoor Fireplaces	
Cat. No.	Model
F4833	ODLVF36ZEN
F4834	ODLVF48ZEN
F4835	ODLVF60ZEN
F4836	ODLVF72ZEN

OPTIONAL ACCESSORIES


Cat. No.	Model#	Description
F3502	LPK 1	LP Conversion kit for 36-inch outdoor fireplace
F3503	LPK 2	LP Conversion kit for 48-inch outdoor fireplace
F3504	LPK 3	LP Conversion kit for 60-inch outdoor fireplace
F3505	LPK 4	LP Conversion kit for 72-inch outdoor fireplace
F3507	GLO-BLACK	Black Onyx Glass Media, 5lb
F3508	GLO-CRYSTAL	Diamond Crystal Glass Media, 5lb
F3509	GLO-LT BLUE	Sapphire Blue Glass Media, 5lb

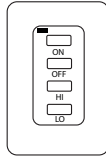


Stainless Steel Outdoor Weather Shield

Cat. No.	Model#	Description
F4497	BLWS36-B	Stainless Steel Outdoor Weather Shield 36"
F4498	BLWS48-B	Stainless Steel Outdoor Weather Shield 48"
F4499	BLWS60-B	Stainless Steel Outdoor Weather Shield 60"
F4500	BLWS72-B	Stainless Steel Outdoor Weather Shield 72"

OPTIONAL ACCESSORIES CONT.

Remote Control Kit		
		
Cat. No.	Model#	Description
F2687	EF-BRCK	Remote Control, Manual ON/OFF operation, Off / Continuous pilot feature

Ecoflow Control Kits		
		
Cat. No.	Model#	Description
F2660	EF-WWRCK	Wireless Wall Switch, On/Off, High/Low

Kit to Convert Single Sided Model to See-Through Model

Catalog #	Model #	Description
F4829	LVOST36	36" See Through Conversion Kit
F4830	LVOST48	48" See Through Conversion Kit
F4831	LVOST60	60" See Through Conversion Kit
F4832	LVOST72	72" See Through Conversion Kit

NATURAL GAS TO PROPANE GAS CONVERSION

WARNING

This conversion kit shall be installed by a qualified service agency in accordance with the manufacturer's instructions and all applicable codes and requirements of the authority having jurisdiction. If the information in these instructions is not followed exactly, a fire, explosion or production of carbon monoxide may result causing property damage, personal injury or loss of life. The qualified service agency is responsible for the proper installation of this kit. The installation is not proper and complete until the operation of the converted appliance is checked as specified in the manufacturer's instructions supplied with the kit. The qualified service agency performing this installation assumes responsibility for this conversion.

AVERTISSEMENT

Cette trousse de conversion doit être installée par un technicien agréé, selon les instructions du fabricant et selon toutes les exigences et tous les codes pertinents de l'autorité compétente. Assurez-vous de bien suivre les instructions dans cette notice pour réduire au minimum le risque d'incendie, d'explosion ou la production de monoxyde de carbone pouvant causer des dommages matériels, des blessures ou la mort. Le technicien agréé est responsable de l'installation de cette trousse. L'installation n'est pas adéquate ni complète tant que le bon fonctionnement de l'appareil converti n'a pas été vérifié selon les instructions du fabricant fournies avec la trousse. Le fournisseur de service qualifié ayant réalisé l'installation assume les responsabilités liées à la conversion.

Gas conversion kits are available to adapt your appliance from the use of one type of gas to the use of another. These kits contain all the necessary components needed to complete the task including labeling that must be affixed to ensure safe operation.

Kit part numbers are listed here and the following steps detail the conversion procedure. Refer to the instructions provided with the conversion kit when performing any gas conversion.

TOOLS / SUPPLIES NEEDED

Flat bladed screwdriver
Needle nose pliers
Pipe joint compound or teflon tape
Gas leak test solution

KIT CONTENTS

- (1) OAS-LP# (brass orifice) and
- (1) ECO-LSS# (brass low rate set screw),
- (1) LP Conversion Label (placed next to blank space on rating label),
- (1) Installation Instruction Sheet

CAUTION: THE GAS SUPPLY SHALL BE SHUT OFF PRIOR TO DISCONNECTING THE ELECTRICAL POWER, BEFORE PROCEEDING WITH THE CONVERSION.

ATTENTION: AVANT D'EFFECTUER LA CONVERSION, COUPEZ D'ABORD L'ALIMENTATION EN GAZ, ENSUITE, COUPEZ L'ALIMENTATION ÉLECTRIQUE.

READ ALL THE STEPS BEFORE STARTING THE CONVERSION. INSTALLER NOTICE: THESE INSTRUCTIONS MUST BE LEFT WITH THE APPLIANCE.

When installing gas components use pipe joint compound or Teflon tape on all pipe fittings before installing (Do not use pipe joint compounds on flare fittings).

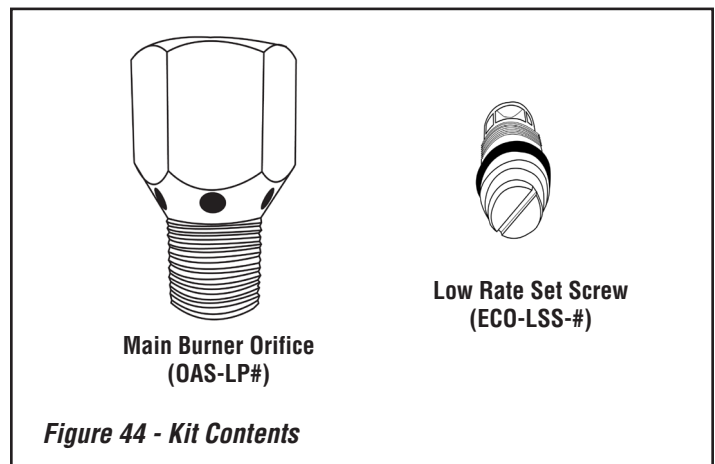
THE APPLIANCE MUST BE OFF AND COLD BEFORE PERFORMING THE GAS CONVERSION.

ALL WARNINGS, PRECAUTIONS AND INSTRUCTIONS IN THE INSTALLATION AND OPERATION MANUAL PROVIDED WITH THE APPLIANCE APPLY TO THESE INSTRUCTIONS.

In Canada:

THE CONVERSION SHALL BE CARRIED OUT IN ACCORDANCE WITH THE REQUIREMENTS OF THE PROVINCIAL AUTHORITIES HAVING JURISDICTION AND IN ACCORDANCE WITH THE REQUIREMENTS OF THE CAN/CGA-B149.1 INSTALLATION CODE.

LA CONVERSION DEVRA ÊTRE EFFECTUÉE CONFORMÉMENT AUX RECOMMANDATIONS DES AUTORITÉS PROVINCIALES AYANT JURISDICTION ET CONFORMÉMENT AUX EXIGENCES DU CODE D'INSTALLATION CAN/CGA-B149.1.



NATURAL GAS TO PROPANE GAS CONVERSION

Continued

GAS CONVERSION INSTRUCTIONS

Step 1. Turn OFF the gas supply to the outdoor fireplace and disconnect any electrical power.

Step 2. Remove the burner pan from the fireplace to enable conversion access. See installation manual if necessary.

Step 3. Disconnect the flex line at the main burner orifice. Then remove the orifice and flared fitting from the orifice. Re-tape the flared fitting with the new OAS-LP orifice per *Table 8*. Ensure to use gas rated Teflon tape around the threads or pipe compound. Check for leaks after conversion is complete.

Model	Main Burner Orifice	Low Rate Set Screw
LPK1 (36" Fireplace)	OAS-LP52	ECO-LSS-52
LPK2 (48" Fireplace)	OAS-LP48	ECO-LSS-46
LPK3 (60" Fireplace)	OAS-LP44	ECO-LSS-42
LPK4 (72" Fireplace)	OAS-LP42	ECO-LSS-35

Table 8 - Reference Information

Step 4. Locate the gas regulator on the opposite side of the valve box. Using a regular size flat bladed screwdriver to remove the aluminum cap and washer from the regulator. See *Figure 46*.

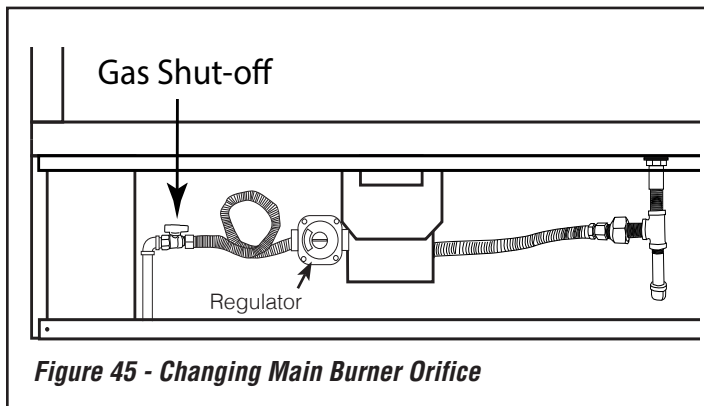


Figure 45 - Changing Main Burner Orifice

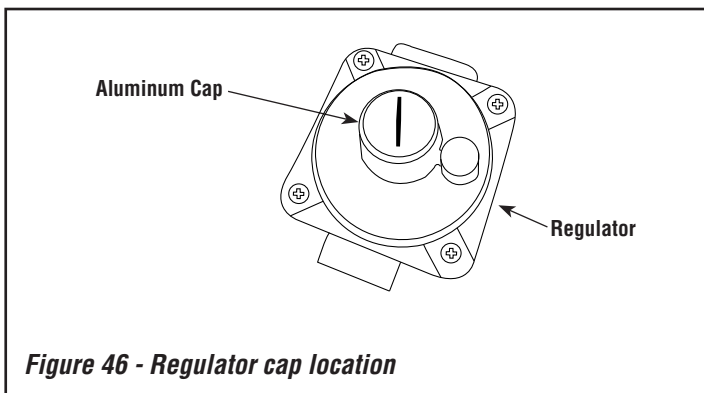


Figure 46 - Regulator cap location

Step 5. On the underneath side of the aluminum cap is a plastic stem. Using a 6mm wrench remove the stem, unscrew the stem (counter-clockwise ↺), turn it over and install the opposite end back into the cap. See *Figure 47*.

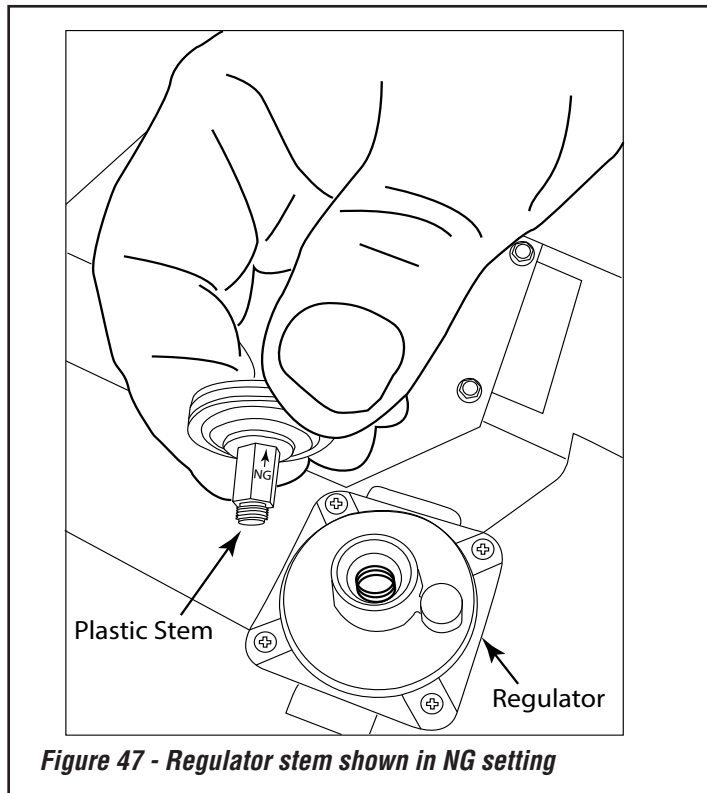


Figure 47 - Regulator stem shown in NG setting

NOTE: The plastic stem has a marking on it with an arrow. Look carefully on the stem, it may be difficult to read.

The gas type is determined with the arrow pointing at the aluminum cap as seen in *Figures 47 and 48*.

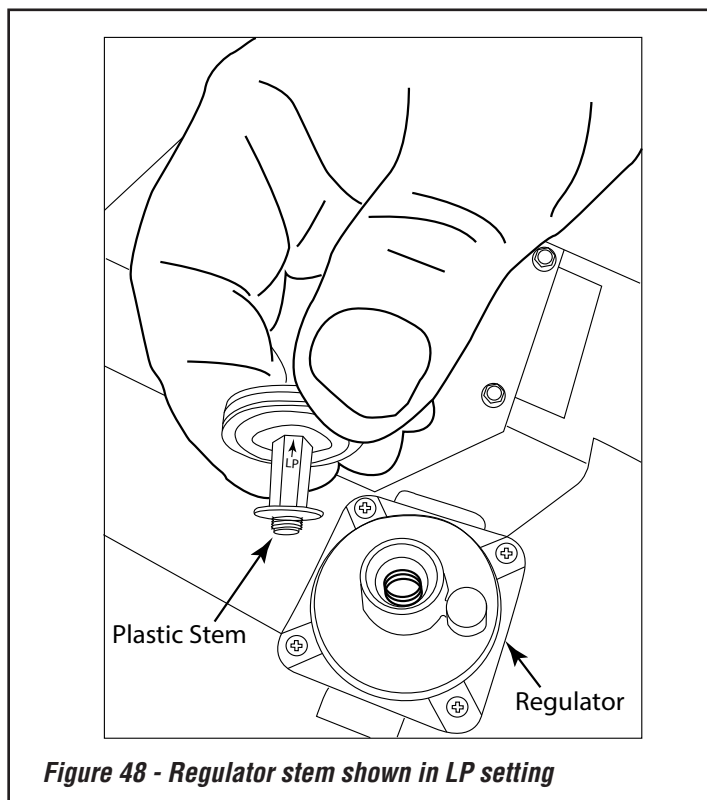


Figure 48 - Regulator stem shown in LP setting

NATURAL GAS TO PROPANE GAS CONVERSION

Continued

CAUTION: ENSURE THE ALUMINUM CAP IS INSTALLED WITH THE PLASTIC STEM SEATED COMPLETELY INTO THE CAP AND THE METAL WASHER IS INSTALLED WITH THE ALUMINUM CAP.

Step 6. Secure the aluminum cap with a screwdriver.

Step 7: In the center of the burner pan where the pilot is located (See Figure 49), remove the pilot head. **Note:** Some media may need to be removed to gain access.

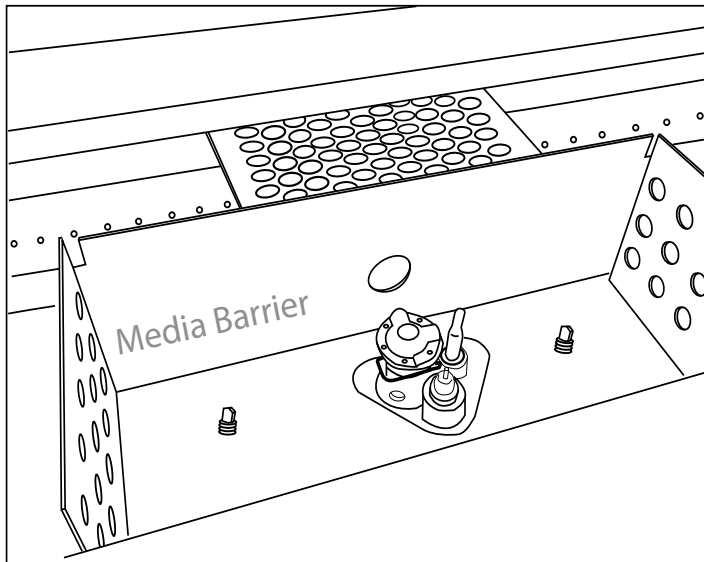


Figure 49 - Pilot box screw locations

Step 8. Once the pilot box is loosen and exposes the pilot assembly then proceed to removing the pilot hood.

The pilot hood will lift straight up and out of the pilot assembly after removing the wire clip with a small screwdriver or needle-nose pliers. See Figure 50.

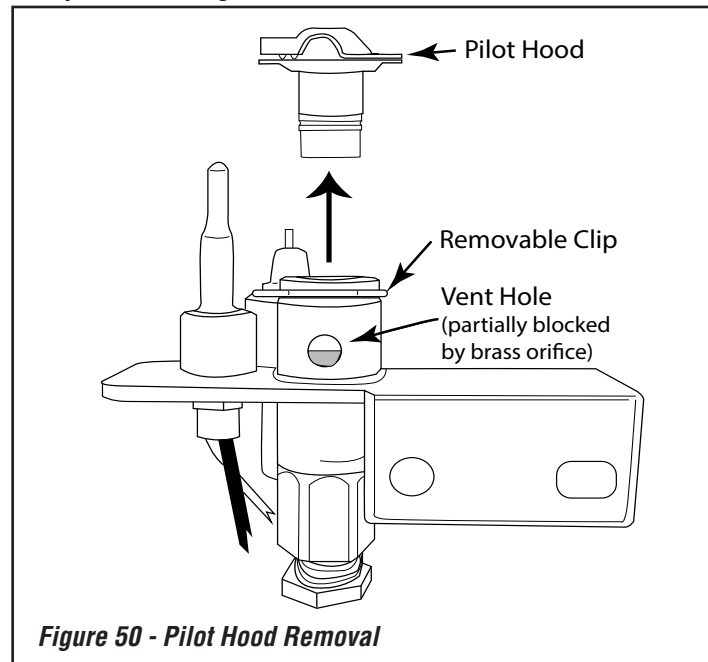


Figure 50 - Pilot Hood Removal

Step 9. Insert a small 4mm hex head wrench into the top of the brass orifice inside the pilot assembly and turn clockwise until it stops (approximately 2 full revolutions). See Figure 51.

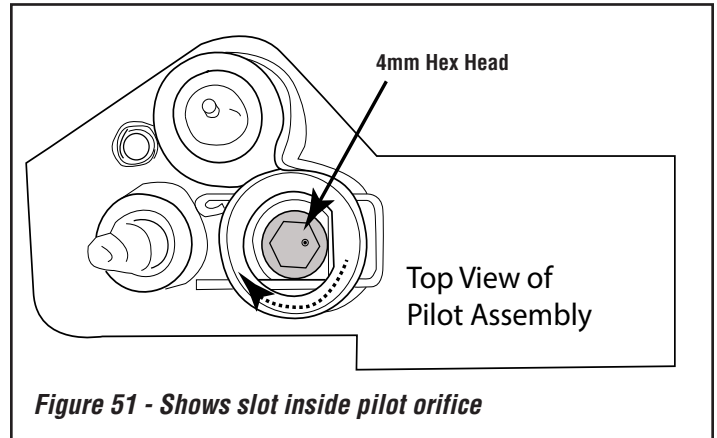


Figure 51 - Shows slot inside pilot orifice

Once the orifice has been converted to LP then re-install the pilot hood, ensure the clip is in place (if removed) and mount the metal pilot box back into place in the same manner you removed it from the burner pan. See Figure 52 as a reference.

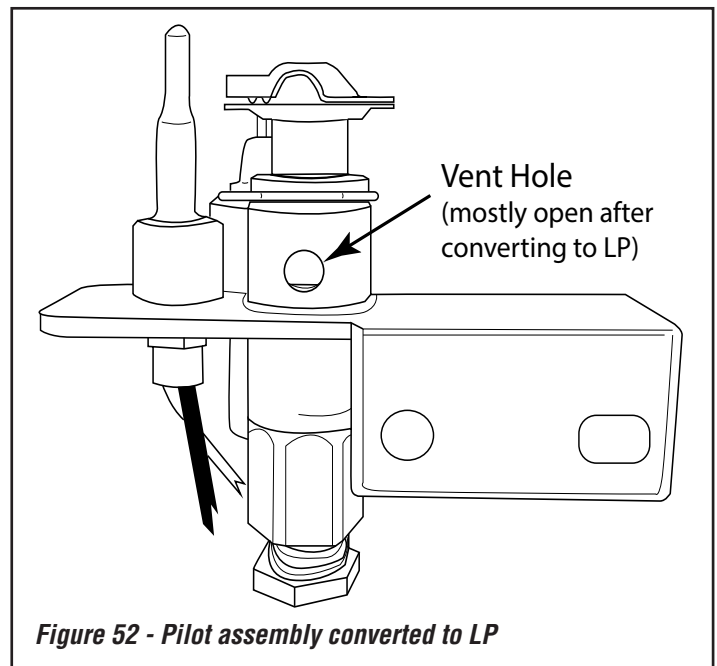


Figure 52 - Pilot assembly converted to LP

NOTE: Figures 50 and 52 provide a visual reference of the pilot orifice from Natural gas to LP gas through the vent hole of the pilot assembly.

Step 10. Look for the low rate set screw in the gas valve box. There is a cutout (window) area that allows access to the low rate set screw. Figure 50 shows the side view of the burner pan and a close-up detail.

NATURAL GAS TO PROPANE GAS CONVERSION

Continued

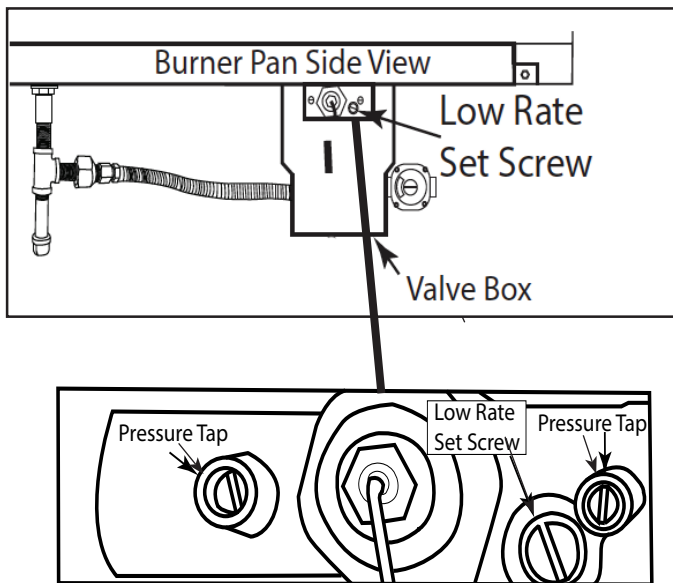


Figure 53 - Detailed location of low rate set screw

Step 11. Remove the low rate set screw with a flat bladed screwdriver turning the screw counter-clockwise ↺. The set screw has a rubber “O” ring on the outer portion of the screw, as a result the screw will rotate only 3-4 revolutions and not unscrew any farther.

NOTE: If you drop the low rate screw inside the valve area you can retrieve it through the access door of the valve box.

Step 12. Remove the low rate set screw using a small pair of needle-nose pliers. Grab the outer edge of the screw and pull outward.

Step 13. Insert the correct new low rate screw from *Table 8* with the needle-nose pliers. Secure the new low rate set screw (clockwise ↻) with screwdriver until it is tight and now longer spins.

CAUTION: DO NOT REMOVE OR LOOSEN THE SMALL SET SCREWS ON EACH SIDE OF THE V-WIRE. THESE ARE PRESSURE TEST PORTS. IF THESE ARE LOOSENED THEY MUST BE RE-TIGHTENED TO ENSURE NO GAS LEAKS OCCUR.

Step 14. Ensure you test the burner pan after it is installed into the fireplace. Turn on gas supply and test for gas leaks, using a gas leak test solution—also known as bubble leak solution.

NOTE: Using a soapy water solution is an effective leak test solution but it is not recommended, because the soap residue that is left on the pipes/fittings can result in corrosion over time.

A. Light the fireplace (refer to the lighting instructions label on the appliance).

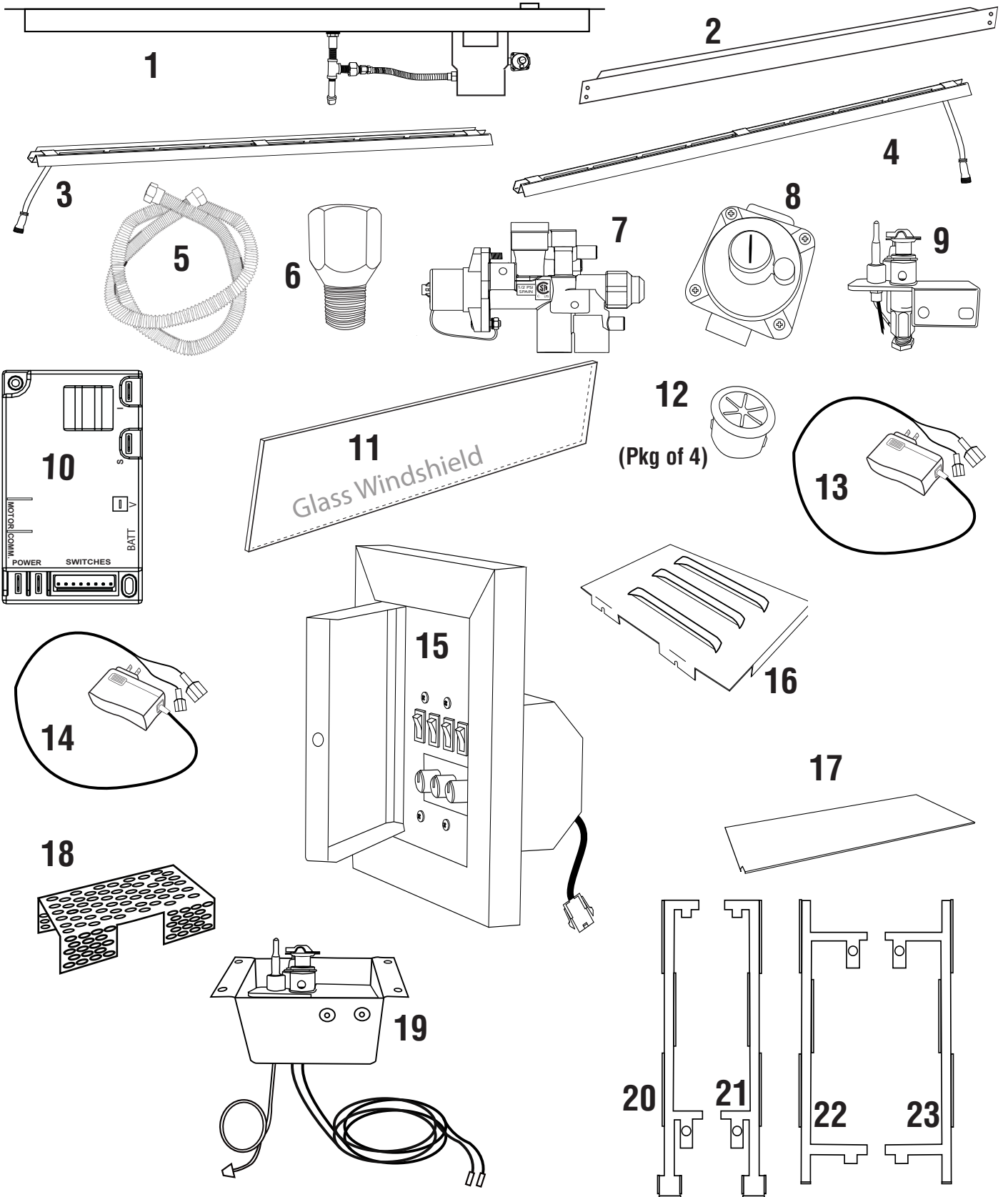
B. Brush all joints and connections with the gas leak test solution to check for leaks. If bubbles are formed, or gas odor is detected, turn off the appliance. Either tighten or refasten the leaking connection, and then retest as described above.

C. When the gas lines are tested and leak free, rinse off the leak testing solution.

Step 15. Fill out the label “This fireplace has been converted to LP gas” and affix it to the blank area on the rating plate.

Step 16. Conversion is now complete.

REPLACEMENT PARTS



Drawings Not to Scale

* Not all replacement parts are depicted in the drawings above but all are listed on Pages 37 and 38

REPLACEMENT PARTS

Continued

Item	Description	Part Number
1	36" Complete Stainless Steel Burner Pan Assembly	F3458
1	48" Complete Stainless Steel Burner Pan Assembly	F3459
1	60" Complete Stainless Steel Burner Pan Assembly	F3460
1	72" Complete Stainless Steel Burner Pan Assembly	F3461
2	Bottom Support Fin for 36" Model - 2 per unit (Figure 10, Page 13)	F3462
2	Bottom Support Fin for 48" Model - 2 per unit (Figure 10, Page 13)	F3463
2	Bottom Support Fin for 60" Model - 2 per unit (Figure 10, Page 13)	F3464
2	Bottom Support Fin for 72" Model - 2 per unit (Figure 10, Page 13)	F3465
3	LED Tray Assembly - Left 36"	F3491
3	LED Tray Assembly - Left 48"	F3492
3	LED Tray Assembly - Left 60"	F3493
3	LED Tray Assembly - Left 72"	F3494
4	LED Tray Assembly - Right 36"	F3495
4	LED Tray Assembly - Right 48"	F3496
4	LED Tray Assembly - Right 60"	F3497
4	LED Tray Assembly - Right 72"	F3498
5	1/2" Flex Gas Line (46-inch Length)	F3466
6	Air Shutter Orifice NG (for 36" Natural Gas Models)	F3467
6	Air Shutter Orifice NG (for 48" Natural Gas Models)	F3468
6	Air Shutter Orifice NG (for 60" Natural Gas Models)	F3469
6	Air Shutter Orifice NG (for 72" Natural Gas Models)	F3470
7	EcoFlow Gas Valve with Step Motor with ECO-LSS-44 for 36" Model	F3515
7	EcoFlow Gas Valve with Step Motor with ECO-LSS-34 for 48" Model	F3516
7	EcoFlow Gas Valve with Step Motor with ECO-LSS-27 for 60" Model	F3517
7	EcoFlow Gas Valve with Step Motor with ECO-LSS-44 for 72" Model	F3471
8	Natural Gas Regulator, REG-C80K-NG (convertible to LP). See Page 33	F3510
9	Side Mount Pilot Assembly (complete assembly with TC), ECO-VK-Pilot	J7935
10	Ignition Control Module (includes 8-pin wire harness), ECO-VK-ECOMOD-WWH	F2694
11	Tempered Glass Windshield for 36" model (1/4" x 8" x 35-1/2") (Pkg of 2)	F3474
11	Tempered Glass Windshield for 48" model (1/4" x 8" x 47-1/2") (Pkg of 2)	F3475
11	Tempered Glass Windshield for 60" model (1/4" x 8" x 59-1/2") (Pkg of 2)	F3476
11	Tempered Glass Windshield for 72" model (1/4" x 8" x 71-1/2") (Pkg of 2)	F3477
12	5/8" Wire Grommet for LED Lighting (Pkg of 4)	F3480
13	12-volt adaptor for LED Lighting (Has male & female terminals)	F3481
14	7.5-volt adaptor for IPI Ecoflow Valve System (Has two female terminals)	F3482
15	RGB Control Box/Lid Assembly (Fireplace switches and LED dimmer)	F3483
16	Bottom End (Used to center burner pan into fireplace)	F3484
17	Pilot Hood (Sits over pilot box, item # 21)	F4491
18	OFF Pilot Screen (Sits behind pilot box, item # 21)	F4490

NOTE: All items are shipped as one replacement part unless noted in the description.

REPLACEMENT PARTS

Continued

Item	Description	Part Number
19	Pilot Assembly (Supplied with pilot box as depicted)	F4492
20	Glass Clip - Left Back	F4486
21	Glass Clip - Right Back	F4487
22	Glass Clip - Left Front (Installs with item #20)	F4488
23	Glass Clip - Right Front (Installs with item #21)	F4489
24	LED 24-inch Wire Harness; Connects to LED lights (not depicted) Figure 28, Page 21	F3499
25	Manual Shut-off 1/2" OD Fare x 1/2" FIP (not depicted)	F3486
26	36" Fireplace Hood - not depicted (see Figure 37, Page 26)	F3487
27	48" Fireplace Hood - not depicted (see Figure 37, Page 26)	F3488
28	60" Fireplace Hood - not depicted (see Figure 37, Page 26)	F3489
29	72" Fireplace Hood - not depicted (see Figure 37, Page 26)	F3490
30	Cross Ventilation Kit, VENT-KIT-6x12- not depicted	F3535
31	Remote Wire Harness, AF4000ADP48EXT- not depicted	F2690

NOTE: All items are shipped as one replacement part unless noted in the description.

WARNING

Failure to position the parts in accordance with these diagrams or failure to use only parts specifically approved with this appliance may result in property damage or personal injury.

AVERTISSEMENT

Risque de dommages ou de blessures si les pièces ne sont pas installées conformément à ces schémas et ou si des pièces autres que celles spécifiquement approuvées avec cet appareil sont utilisées.

WARNING

Never use substitute materials. Use of non-approved parts can result in poor performance and safety hazards.

Innovative Hearth Products IHP Gas Fireplaces 20 Year Limited Warranty

THE WARRANTY

Innovative Hearth Products ("IHP") 20 Year Limited Warranty warrants your IHP gas fireplace, Stove or Insert ("Product") to be free from defects in materials and workmanship at the time of manufacture. The product body, firebox and barrier carry the 20 Year Limited Warranty. Ceramic glass carries the 20 Year Limited Warranty against thermal breakage only. After installation, if covered components manufactured by IHP are found to be defective in materials or workmanship during the 20 Year Limited Warranty period and while the Product remains at the site of the original installation, IHP will, at its option, repair or replace the covered components. If repair or replacement is not commercially practical, IHP will, at its option, refund the purchase price or wholesale price of the IHP product, whichever is applicable. IHP will also pay IHP prevailing labor rates, as determined in its sole discretion, incurred in repairing or replacing such components for up to five years. THERE ARE EXCLUSIONS AND LIMITATIONS to this 20 Year Limited Warranty as described herein.

COVERAGE COMMENCEMENT DATE

Warranty coverage begins on the date of purchase. In the case of new home construction, warranty coverage begins on the date of first occupancy of the dwelling or six months after the sale of the Product by an independent IHP dealer/distributor, whichever occurs earlier. The warranty shall commence no later than 24 months following the date of product shipment from IHP, regardless of the installation or occupancy date.

EXCLUSIONS AND LIMITATIONS

This 20 Year Limited Warranty applies only if the Product is installed in the United States or Canada and only if operated and maintained in accordance with the printed instructions accompanying the Product and in compliance with all applicable installation and building codes and good trade practices.

This warranty is non-transferable and extends to the original owner only. The Product must be purchased through a listed supplier of IHP and proof of purchase must be provided. The product body, firebox and barrier carry the 20 Year Limited Warranty from the date of installation. Vent components, trim components and paint are excluded from this 20 Year Limited Warranty. The following do not carry the 20 Year Limited Warranty but are warranted as follows:

- Burner** – Repair or replacement for one year from the date of installation
- Gas components** – Repair or replacement for one year from the date of installation
- Gaskets** – Repair or replacement for one year from the date of installation
- Logs** – Replacement for one year from the date of installation against thermal breakage only
- Optional blowers & remote controls** – Repair or replacement for one year from the date of installation
- Optional glass doors** – Repair or replacement for 90 days from the date of installation
- Tempered glass** – Replacement for one year from the date of installation
- Labor coverage** – Prevailing IHP labor rates apply for the warranty period of the component

Parts not otherwise listed carry a 90 day warranty from the date of installation.

Whenever practicable, IHP will provide replacement parts, if available, for a period of 10 years from the last date of manufacture of the Product.

IHP will not be responsible for: (a) damages caused by normal wear and tear, accident, riot, fire, flood or acts of God; (b) damages caused by abuse, negligence, misuse, or unauthorized alteration or repair of the Product affecting its stability or performance (The Product must be subjected to normal use. The Product is designed to burn either natural or propane gas only. Burning conventional fuels such as wood, coal or any other solid fuel will cause damage to the Product, will produce excessive temperatures and could result in a fire hazard.); (c) damages caused by failing to provide proper maintenance and service in accordance with the instructions provided with the Product; (d) damages, repairs or inefficiency resulting from faulty installation or application of the Product.

IHP is not responsible for inadequate fireplace system draft caused by air conditioning and heating systems, mechanical ventilation systems, or general construction conditions which may generate negative pressure in the room in which the appliance is installed. Additionally IHP assumes no responsibility for drafting conditions caused by venting configurations, adjoining trees or buildings, adverse wind conditions or unusual environmental factors and conditions that affect the operation of the unit.

This 20 Year Limited Warranty covers only parts and labor as provided herein. In no case shall IHP be responsible for materials, components or construction, which are not manufactured or supplied by IHP or for the labor necessary to install, repair or remove such materials, components or construction. Additional utility bills incurred due to any malfunction or defect in equipment are not covered by this warranty. All replacement or repair components will be shipped F.O.B. from the nearest stocking IHP factory.

LIMITATION ON LIABILITY

It is expressly agreed and understood that IHP's sole obligation and the purchaser's exclusive remedy under this warranty, under any other warranty, expressed or implied, or in contract, tort or otherwise, shall be limited to replacement, repair, or refund, as specified herein.

In no event shall IHP be liable for any incidental or consequential damages caused by defects in the Product, whether such damage occurs or is discovered before or after repair or replacement, and whether such damage is caused by IHP's negligence. IHP has not made and does not make any representation or warranty of fitness for a particular use or purpose, and there is no implied condition of fitness for a particular use or purpose.

IHP makes no expressed warranties except as stated in this 20 Year Limited Warranty. The duration of any implied warranty is limited to the duration of this expressed warranty.

No one is authorized to change this 20 Year Limited Warranty or to create for IHP any other obligation or liability in connection with the Product. Some states and provinces do not allow the exclusion or limitation of incidental or consequential damages, so the above limitations or exclusions may not apply to you. The provisions of this 20 Year Limited Warranty are in addition to and not a modification of or subtraction from any statutory warranties and other rights and remedies provided by law.

INVESTIGATION OF CLAIMS AGAINST WARRANTY

IHP reserves the right to investigate any and all claims against this 20 Year Limited Warranty and to decide, in its sole discretion, upon the method of settlement.

To receive the benefits and advantages described in this 20 Year Limited Warranty, the appliance must be installed and repaired by a licensed contractor approved by IHP.

Contact IHP at the address provided herein to obtain a listing of approved dealers/distributors. **IHP shall in no event be responsible for any warranty work done by a contractor that is not approved without first obtaining IHP's prior written consent.**

HOW TO REGISTER A CLAIM AGAINST WARRANTY

In order for any claim under this warranty to be valid, you must contact the IHP dealer/distributor from which you purchased the product. If you cannot locate the dealer/distributor, then you must notify IHP in writing. IHP must be notified of the claimed defect in writing within 90 days of the date of failure. Notices should be directed to the IHP Warranty Department at 1769 East Lawrence Street, Russellville, AL 35654 or visit our website at WWW.IHP.US.COM.

Innovative Hearth Products Foyer au gaz, IHP Garantie Limitée De 20 Ans

LA GARANTIE

La garantie limitée de 20 ans de Innovative Hearth Products ("IHP") assure que votre foyer ou encastrable au gaz IHP ("Produit") est libre de tout défaut de matériaux ou fabrication au moment de sa fabrication. La structure du produit, l'âtre et la barrière ont une garantie limitée de 20 ans. Le verre céramique est couvert par la garantie limitée de 20 ans contre un bris thermique seulement. Après installation, si le matériel ou la fabrication des composantes fabriquées par IHP s'avèrent défectueuses pendant la période de garantie limitée de 20 ans et que le produit est toujours installé à son emplacement d'origine, IHP effectuera, à sa discrétion, la réparation ou le remplacement des composantes garanties. Si la réparation ou le remplacement s'avèrent commercialement impraticable, IHP remboursera, à sa discrétion, le prix d'achat au détail ou le prix d'achat du marchand/distributeur du produit IHP, tel qu'applicable. IHP paiera la main-d'œuvre au taux préétabli par IHP, déterminé à sa seule discrétion, pour la réparation ou le remplacement des composantes pour une période maximale de cinq ans. IL EXISTE DES EXCLUSIONS ET DES LIMITATIONS à cette garantie limitée de 20 ans tel que stipulé ci-dessous.

DATE D'ENTRÉE EN VIGUEUR DE LA COUVERTURE

La couverture de la garantie débute à la date d'achat du produit. Dans le cas d'une construction neuve, le début de la couverture commence à la date d'occupation des lieux ou six mois après la date de vente du produit par un marchand/distributeur IHP indépendant, selon la première éventualité. La garantie commence au plus tard 24 mois suivant la date de livraison du produit par IHP indépendamment de la date d'installation ou d'occupation.

EXCLUSIONS ET LIMITATIONS

Cette garantie limitée de 20 ans s'applique uniquement si le produit est installé aux États-Unis ou au Canada et seulement s'il est utilisé et entretenu conformément aux instructions qui accompagnent le produit. Le produit doit avoir été installé selon les normes en bâtiment applicables et les lois et règlements en vigueur localement.

Cette garantie n'est pas transférable et s'applique au propriétaire d'origine seulement. Le produit doit avoir été acheté chez un fournisseur IHP autorisé et une preuve d'achat doit être fournie. La structure du produit, l'âtre et la barrière ont une garantie limitée de 20 ans à partir de la date d'installation. La cheminée, les composantes décoratives et la peinture sont exclues de cette garantie limitée de 20 ans. Les items suivants ne sont pas couverts par la garantie limitée de 20 ans mais sont garantis selon les règles suivantes:

Brûleur – Réparation ou remplacement pour un an à compter de la date d'installation
Composantes à gaz – Réparation ou remplacement pour un an à compter de la date d'installation
Joints d'étanchéité – Réparation ou remplacement pour un an à compter de la date d'installation
Bûches – Remplacement pour un an à compter de la date d'installation contre un bris thermique seulement
Ventilateur optionnel et commande à distance – Réparation ou remplacement pour un an à compter de la date d'installation
Portes de verre optionnelles – Réparation ou remplacement pour 90 jours à compter de la date d'installation
Verre trempé - Remplacement pour un an à compter de la date d'installation
Couverture de la main-d'œuvre – Le taux de la main-d'œuvre préétabli par IHP s'applique pour la période de garantie de la composante

Les pièces qui ne se retrouvent pas dans la liste ci-dessus sont couvertes par une garantie de 90 jours à compter de la date d'installation.

Lorsque possible, IHP fournira des pièces de remplacement, si disponibles, pour une période de 10 ans à partir de la dernière date de fabrication du produit.

IHP ne sera pas responsable de: (a) dommages causés par l'usure normale, accident, émeute, feu, inondation ou catastrophe naturelle; (b) dommages causés par l'abus, négligence, mauvais usage, altération ou réparation non autorisée du produit qui affecte sa stabilité ou performance. (Le produit doit être sujet à un usage normal. Ce produit est conçu pour brûler soit du gaz naturel ou du gaz propane seulement. Brûler des combustibles conventionnels tels que du bois, charbon ou tout autre combustible solide peut occasionner des dommages au produit, produire des températures élevées et peut causer un risque d'incendie); (c) dommages causés par manque d'entretien selon les instructions fournies avec le produit; (d) dommages, réparations ou mauvais rendement résultant d'une installation ou d'une application inadéquate du produit.

IHP n'est pas responsable d'un tirage de la cheminée inadéquat causé par des systèmes d'air climatisé et de chauffage, systèmes de ventilation mécanique, ou des conditions générales de construction qui peuvent créer une pression négative à l'intérieur de la pièce dans laquelle l'appareil est installé. De plus, IHP n'assume pas la responsabilité pour la fumée causée par une cheminée de hauteur inadéquate, arbres ou bâtiments adjacents, conditions de vents exceptionnelles ou facteurs environnementaux et conditions inhabituelles qui affectent l'opération de l'appareil.

Cette garantie limitée de 20 ans couvre seulement les pièces et la main-d'œuvre tel que stipulé dans la présente. IHP n'est responsable, en aucun cas, pour des matériaux, composantes ou construction qui ne sont pas fournis ou fabriqués par IHP ni pour la main-d'œuvre nécessaire à l'installation, réparation ou pour le retrait de tels matériaux, composantes ou construction. Les coûts additionnels associés aux services publics dus au mauvais fonctionnement ou défaut de l'équipement ne sont pas couverts par cette garantie limitée de 20 ans. Toutes les composantes de remplacement ou nécessaires pour la réparation seront livrées FAB du centre de distribution IHP le plus près.

LIMITATION DE LA RESPONSABILITÉ

Il est expressément entendu et compris que la seule obligation de IHP ainsi que le recours exclusif de l'acheteur sous cette garantie, ou toute autre garantie, expresse ou implicite, ou de contrat, délit, ou autrement, sera limitée au remplacement, réparation, ou remboursement tel que stipulé dans la présente.

En aucun cas IHP ne sera responsable d'incidents ou dommages conséquents causés par un ou des défauts du produit, si tel dommage se produit ou est découvert avant ou après le remplacement ou la réparation et si tel dommage est causé par la négligence de IHP. IHP n'a pas fait et ne fait pas de représentation ou garantie de forme particulière ou de cause et il n'y a pas de condition de forme tacite pour une utilisation particulière.

IHP ne fait aucun autre énoncé de garantie sauf tel qu'énoncé dans cette garantie limitée de 20 ans. La durée de la garantie tacite est limitée à la durée de l'énoncé de cette garantie.

Nul n'est autorisé à changer cette garantie limitée de 20 ans ou à créer pour IHP toute autre obligation ou responsabilité en rapport à ce produit. Certains états et provinces n'autorisent pas l'exclusion ou la limitation de dommages circonstanciels ou conséquents alors, les limitations ou exclusions ci-dessus pourraient ne pas s'appliquer à vous. Les provisions de cette garantie limitée de 20 ans sont en plus de, et non une modification de, ou soustraction de quelque garantie légale et autres droits et recours fournis par la loi.

INVESTIGATION DES RÉCLAMATIONS CONTRE GARANTIE

IHP se réserve le droit d'enquêter sur tous types de réclamations contre cette garantie limitée de 20 ans et de décider, à sa seule discrétion, de la méthode de règlement.

Pour être éligible aux bénéfices et avantages décrits dans cette garantie limitée de 20 ans, l'appareil doit être installé et réparé par un entrepreneur agréé autorisé par IHP.

Contactez IHP à l'adresse stipulée afin d'obtenir une liste des marchands et distributeurs autorisés. **IHP ne sera responsable, en aucun cas, des travaux sous garantie effectués par un entrepreneur qui n'est pas autorisé sans avoir obtenu, préalablement, le consentement écrit de IHP.**

COMMENT ENREGISTRER UNE RÉCLAMATION CONTRE GARANTIE

Afin qu'un quelconque réclamation sous cette garantie soit valide, vous devez contacter le marchand/distributeur IHP duquel vous avez acheté le produit. Si vous ne pouvez localiser le marchand/distributeur, vous devez aviser IHP par écrit. IHP doit être avisé par écrit à l'intérieur d'un délai de 90 jours de la date du défaut. Les avis devraient être dirigés au Département de la garantie IHP au 1769 East Lawrence Street; Russellville, AL 35654 ou visitez notre site Web à WWW.IHP.US.COM.

Record the following important information about your fireplace:

Fireplace model number	
Fireplace serial number	
Date fireplace was Installed	
Type of gas fireplace uses	
Dealer name	

Innovative Hearth Products (IHP) reserves the right to make changes at any time, without notice, in design, materials, specifications, prices and also to discontinue colors, styles and products. Consult your local distributor for fireplace code information.

