

# VRE4600 SERIES

## 36/48/60/72 LINEAR OUTDOOR VENT-FREE GAS FIREPLACES

Framing Dimensions

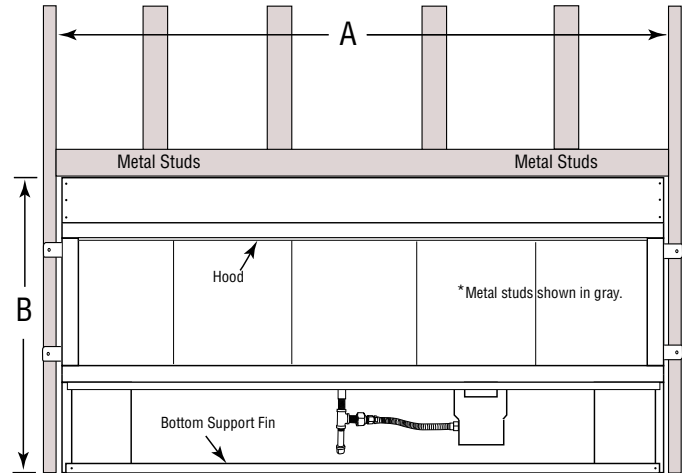
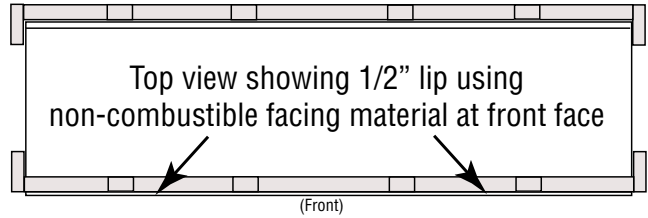
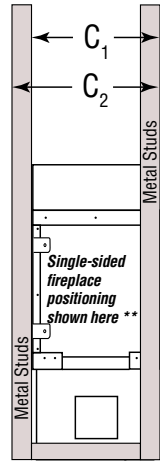
Model	FRAMING WITH METAL STUDS			
	A Width	B Height	C <sub>1</sub> Single Sided Depth	C <sub>2</sub> ** See-Thru Depth
36"	40-1/2 (1029)	37-3/4 (959)	16-1/4 (413)	15 (381)
48"	52-1/2 (1334)	37-3/4 (959)	16-1/4 (413)	15 (381)
60"	64-1/2 (1638)	37-3/4 (959)	16-1/4 (413)	15 (381)
72"	76-1/2 (1943)	37-3/4 (959)	16-1/4 (413)	15 (381)

Inches (millimeters)

\* Metal studs are shaded

\*\* In See-Thru Applications, the face on each side will be flush with the outside surface of studs.

NOTE: This fireplace requires metal studs for framing. Wood studs are not permitted.

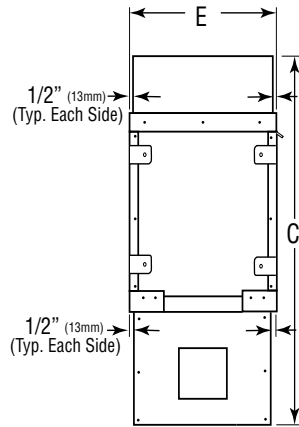


Fireplace Dimensions

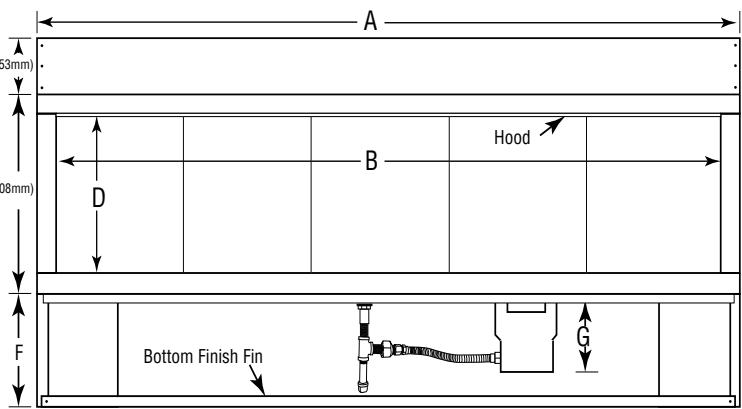
NOTE: These fireplaces are not "load bearing" fireplaces. All finishing materials must be supported by the surrounding structure and not rely on the fireplace itself.



TOP VIEW



END VIEW



FRONT VIEW

Inches (millimeters)

Model	A Width	B Opening Width	C Height	D Opening Height	E* Depth	F Leg Height	G Valve Box Depth
36"	40 (1016)	36 (915)	37-1/2(953)	16(407)	16-1/4 (413)	11-1/2(292)	8-3/4(222)
48"	52 (1321)	48 (1219)	37-1/2(953)	16(407)	16-1/4 (413)	11-1/2(292)	8-3/4(222)
60"	64 (1626)	60 (1524)	37-1/2(953)	16(407)	16-1/4 (413)	11-1/2(292)	8-3/4(222)
72"	76 (1931)	72 (1829)	37-1/2(953)	16(407)	16-1/4 (413)	11-1/2(292)	8-3/4(222)

\* Subtract 1/4" for See-Through applications

Diagrams, illustrations and photographs are not to scale. Consult installation instructions. Product designs, materials, dimensions, specifications, colors, and prices are subject to change or discontinuance without notice.

# VRE4600 SERIES

Product Info

Cat. No.	Model	Ship. Weight	Cu. Ft.
F4493	ODLVF <b>36</b> ZEN	195 lb.	24.06 cu. ft.
F4494	ODLVF <b>48</b> ZEN	232 lb.	29.94 cu. ft.
F4495	ODLVF <b>60</b> ZEN	279 lb.	36.36 cu. ft.
F4496	ODLVF <b>72</b> ZEN	332 lb.	44.81 cu. ft.

Listing

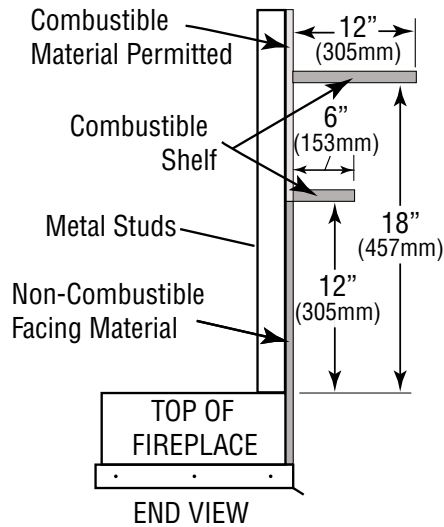


Report No. #F20-024

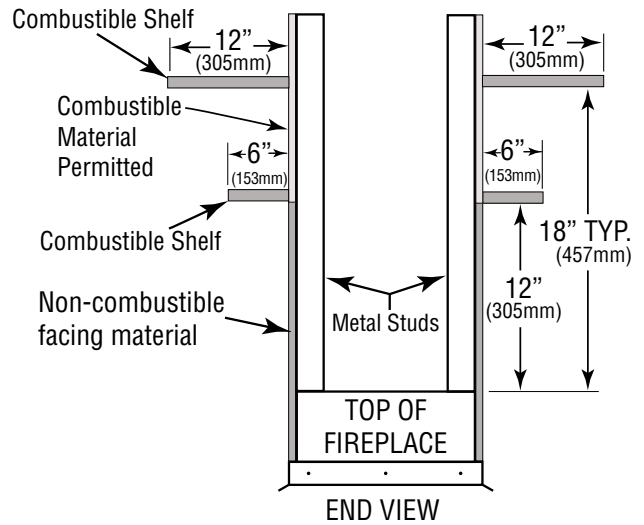
These fireplaces are designed for outdoor use only. They have been tested and approved to ANSI Z21.97, CSA 2.41 in both USA and Canada, as outdoor decorative gas appliances.

Mantel Clearances

Inches (millimeters)



**SINGLE-SIDED (open front) fireplace mantel clearances**

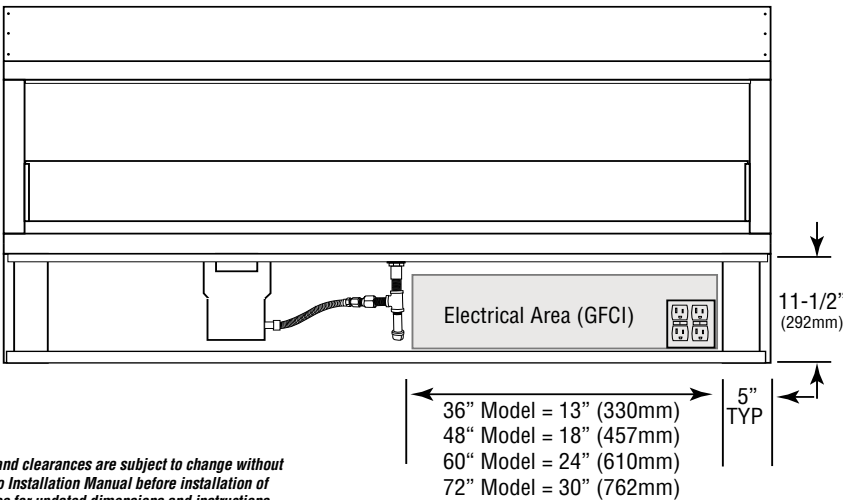


**SEE-THROUGH fireplace mantel clearances**

**LED LIGHTING INSTALLATION :** Install the GFCI outlet double gang junction box with a weatherproof cover on the opposite side of the inlet gas supply. See the Installation and Operation Instructions manual for installation details.

Electrical Placement

The electric junction box (GFCI) with a weatherproof cover must be installed in the shaded area shown below. Ensure the j-box is close to the floor area where the fireplace is sitting and not touching the burner pan.

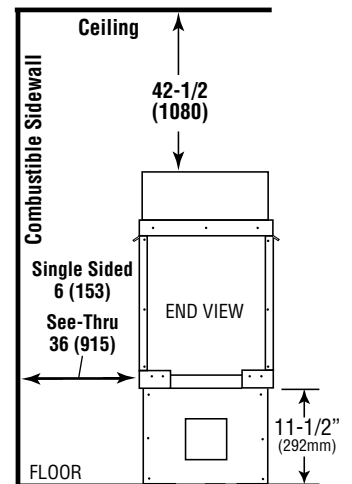


Specifications and clearances are subject to change without notice. Refer to Installation Manual before installation of these appliances for updated dimensions and instructions.

NOTE: DIAGRAMS & ILLUSTRATIONS ARE NOT TO SCALE.

Printed in U.S.A. © 2017 Innovative Hearth Products  
P/N 900861-02 Rev. A 04/2022

Clearances



**Fireplace clearance to combustibles**

Inches (millimeters)

