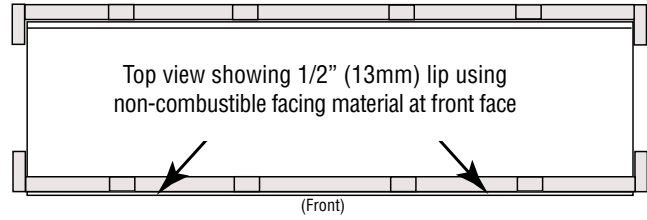


BARCELONA LIGHTS® SERIES

36/48/60/72 LINEAR OUTDOOR VENT-FREE GAS FIREPLACES

Framing Dimensions

Model	FRAMING WITH METAL STUDS			
	A Width	B Height	C ₁ Single Sided Depth	C ₂ ** See-Thru Depth
36"	40-1/2 (1029)	37-3/4 (959)	16-1/4 (413)	15 (381)
48"	52-1/2 (1334)	37-3/4 (959)	16-1/4 (413)	15 (381)
60"	64-1/2 (1638)	37-3/4 (959)	16-1/4 (413)	15 (381)
72"	76-1/2 (1943)	37-3/4 (959)	16-1/4 (413)	15 (381)

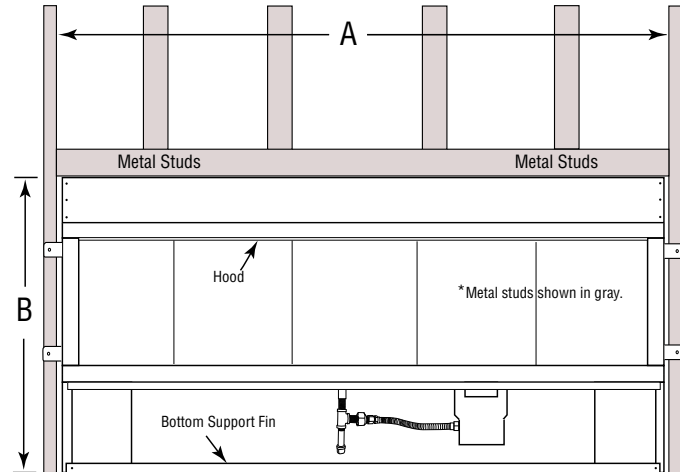
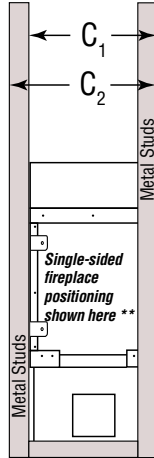


Inches (millimeters)

* Metal studs are shaded

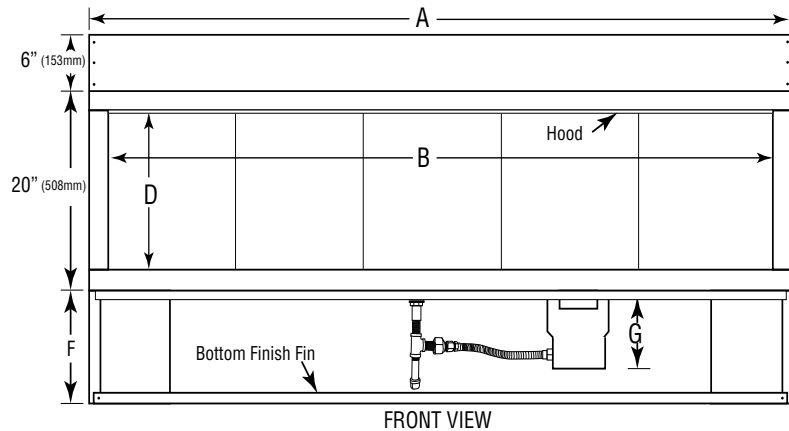
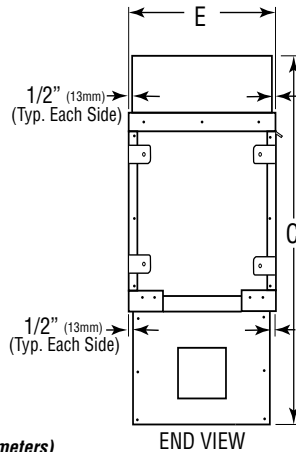
** In See-Thru Applications, the face on each side will be flush with the outside surface of studs.

NOTE: This fireplace requires metal studs for framing. Wood studs are not permitted.



Fireplace Dimensions

NOTE: These fireplaces are not "load bearing" fireplaces. All finishing materials must be supported by the surrounding structure and not rely on the fireplace itself.



Inches (millimeters)

Model	A Width	B Opening Width	C Height	D Opening Height	E* Depth	F Leg Height	G Valve Box Depth
36"	40 (1016)	36 (915)	37-1/2(953)	16(407)	16-1/4 (413)	11-1/2(292)	8-3/4(222)
48"	52 (1321)	48 (1219)	37-1/2(953)	16(407)	16-1/4 (413)	11-1/2(292)	8-3/4(222)
60"	64 (1626)	60 (1524)	37-1/2(953)	16(407)	16-1/4 (413)	11-1/2(292)	8-3/4(222)
72"	76 (1931)	72 (1829)	37-1/2(953)	16(407)	16-1/4 (413)	11-1/2(292)	8-3/4(222)

* Subtract 1/4" for See-Through applications

Diagrams, illustrations and photographs are not to scale. Consult installation instructions. Product designs, materials, dimensions, specifications, colors, and prices are subject to change or discontinuance without notice.

BARCELONA LIGHTS® SERIES

Product Info

Cat. No.	Model	Ship. Weight	Cu. Ft.
F4833	ODLVF 36 ZEN	195 lb.	24.06 cu. ft.
F4834	ODLVF 48 ZEN	232 lb.	29.94 cu. ft.
F4835	ODLVF 60 ZEN	279 lb.	36.36 cu. ft.
F4836	ODLVF 72 ZEN	332 lb.	44.81 cu. ft.

Listing

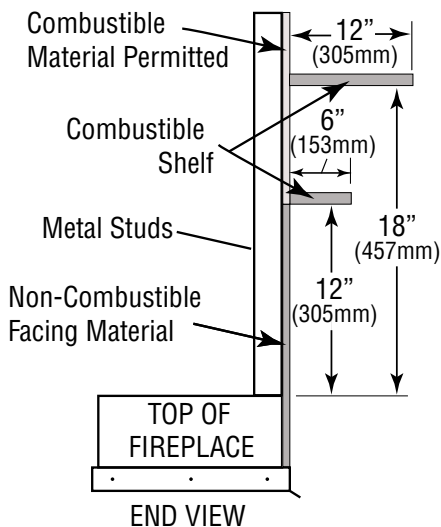


Report No. #20-024

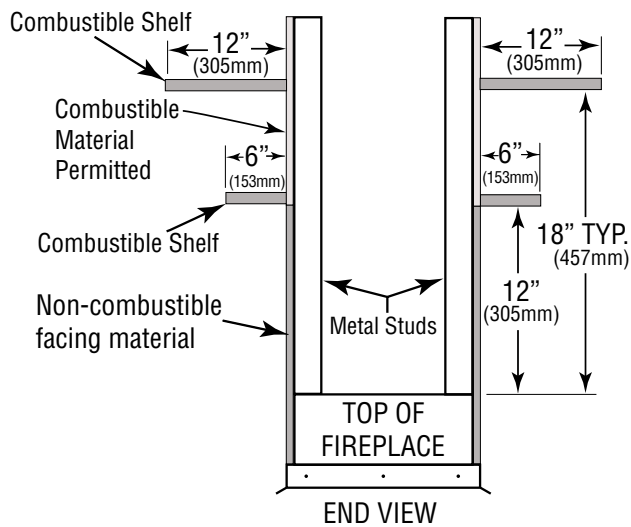
These fireplaces are designed for outdoor use only. They have been tested and approved to ANSI Z21.97, CSA 2.41 in both USA and Canada, as outdoor decorative gas appliances.

Inches (millimeters)

Mantel Clearances



SINGLE-SIDED (open front) fireplace mantel clearances

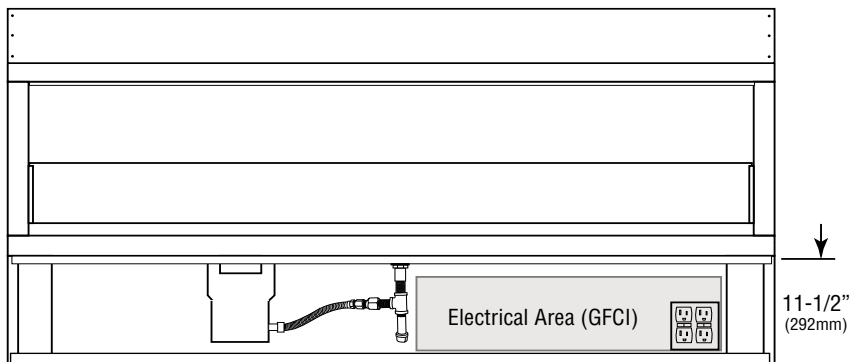


SEE-THROUGH fireplace mantel clearances

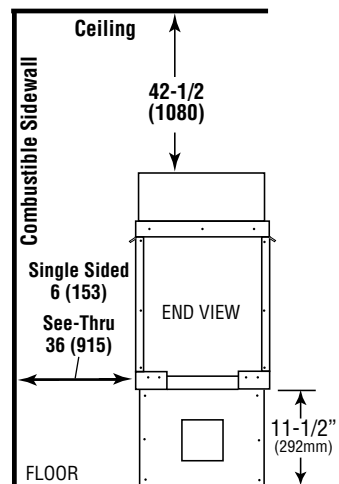
LED LIGHTING INSTALLATION : Install the GFCI outlet double gang junction box with a weatherproof cover on the opposite side of the inlet gas supply. See the Installation and Operation Instructions manual for installation details.

The electric junction box (GFCI) with a weatherproof cover must be installed in the shaded area shown below. Ensure the j-box is close to the floor area where the fireplace is sitting and not touching the burner pan.

Electrical Placement



Clearances



Fireplace clearance to combustibles

Inches (millimeters)

Specifications and clearances are subject to change without notice. Refer to Installation Manual before installation of these appliances for updated dimensions and instructions.

NOTE: DIAGRAMS & ILLUSTRATIONS ARE NOT TO SCALE.

Printed in U.S.A. © 2017 Innovative Hearth Products
P/N 900861-03 Rev. A 04/2022

