

Striker™ Models S160TGL and S160AGL



Appliance Specifications - Freestanding Wood Stove

Product Reference Information			
Cat. No.	Description	Ship. Weight	Ship. Volume
F4017	S160AGL, Stove, Arch Black Door, Nickel Nameplate	313 lb.	18.9 cu. ft.
F4018	S160TGL Stove, Traditional Black Door, Nickel Nameplate	313 lb.	18.9 cu. ft.

Specifications

Stove Pipe Diameter Single Wall or Double Wall	6" (152 mm)
Log Length	18" Max./16" Recommended
Firebox (1.52 cu. ft.)	18"W x 14"D (457mm W x 356mm D)
Height On Legs Height On Pedestal	27-1/2" (699mm) 31" (787mm)
Width	23-1/2" (597mm)
Depth (door opening to rear shield) Back to Flue Center	17-3/4" (451mm) 5-3/8" (137mm)
Maximum Output ❶	55,600 BTUs/hr.
Maximum Burn Times ❶	6–8 hrs.
Heating Capacity ❶	700–1,400 sq. ft.

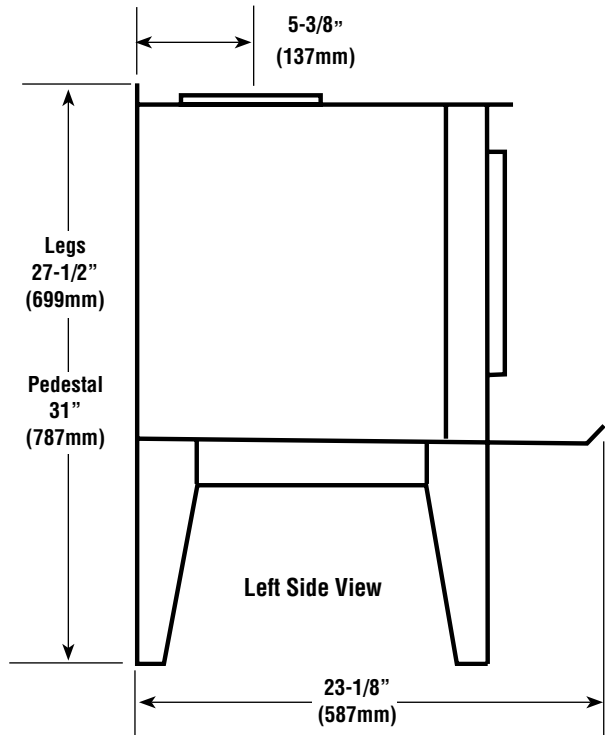
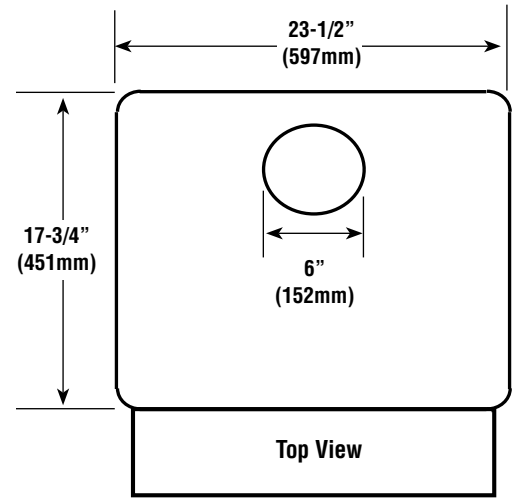
NOTE:

- Dimensions shown are approximations only (+/- 1/4")
- Diagrams, illustrations and photographs are not to scale – consult installation instructions. Product designs, materials, dimensions, specifications, colors and prices are subject to change or discontinuance without notice.
- Approved for residential, manufactured home, and alcove installations.
- Optional Kits Available:
Faceplate Kits
Thermally Activated Blower Kit
Outside Air Kit
Leg Base (choice of black, gold, nickel, brushed gold or brushed nickel)
Pedestal Base (choice of standard or with ash drawer)
Heat Shield (required with leg base)

❶ Square-foot heating capacities and burn times are approximations only. Actual performance may vary depending upon home design and insulation, ceiling heights, climate, condition and type of wood used, appliance location, burn rate, accessories chosen, chimney installation and how the appliance is operated.

Notes

Dimensions



Listing

The Striker™ Models S160TGL and S160AGL wood stoves are safety listed with the following agency:

- PFS TECO. Listed to UL 1482, ULC S627



Report No. 14-186

EPA certification test emission value 1.7 g/hr per 2020 particulate emission standards using crib wood.



Striker™ Models S160TGL and S160AGL

Clearances - Refer to Diagrams A, B and C

PIPE	INSTALLATION	A	B (1)	C	D (1)	E†	F (1,4)	G (4)
6" Single Wall	Residential or Alcove	USA-16" CAN-483mm	14" 356mm	USA-21" CAN-610mm	12-1/2" 318mm	8" 200mm	9-3/4" 248mm	USA-18" CAN-533mm
6" Single w/ Pipe Shield	Residential or Alcove	USA-10" CAN-330mm	8" 200mm	USA-18" CAN-533mm	9-1/2" 241mm	8" 200mm	5-1/2" 140mm	USA-13.5" CAN-419mm
6" Double Wall	Residential or Alcove or Mobile Home*	USA-10" CAN-330mm	8" 200mm	USA-18" CAN-533mm	9-1/2" 241mm	8" 200mm	5-1/2" 140mm	USA-13.5" CAN-419mm

PIPE	INSTALLATION	H (2)	J (2)	K	L	M	NⓈ	PⓈ
Single Wall	Residential or Alcove	USA-33.75" CAN-1111mm	USA-36" CAN-1003mm	USA-16" CAN-450mm	USA 0" CAN-200mm	84" 2134mm	30" 762mm	36" 914mm
Single w/ Pipe Shield	Residential or Alcove	USA-33.75" CAN-1111mm	USA-36" CAN-1003mm	USA-16" CAN-450mm	USA 0" CAN-200mm	84" 2134mm	30" 762mm	36" 914mm
Double Wall Air-Cooled	Residential or Alcove or Mobile Home*	USA-33.75" CAN-1111mm	USA-36" CAN-1003mm	USA-16" CAN-450mm	USA 0" CAN-200mm	72" 1829mm	30" 762mm	36" 914mm

† USA=8" (200mm) from door opening, Canada=8" (200mm) from sides and back of unit

Ⓢ Dimensions to Stove Body * Mobile Home - USA only

Diagram A: Top View-Parallel Installation

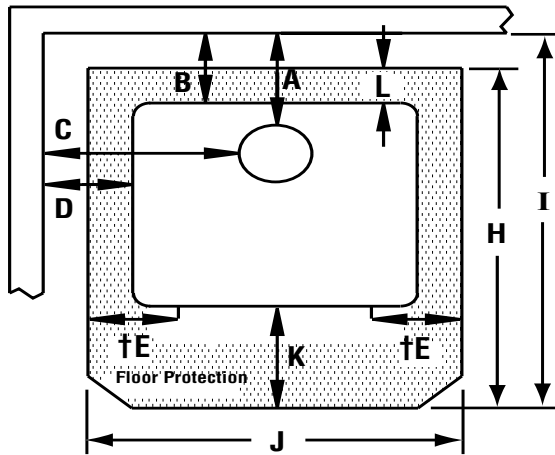
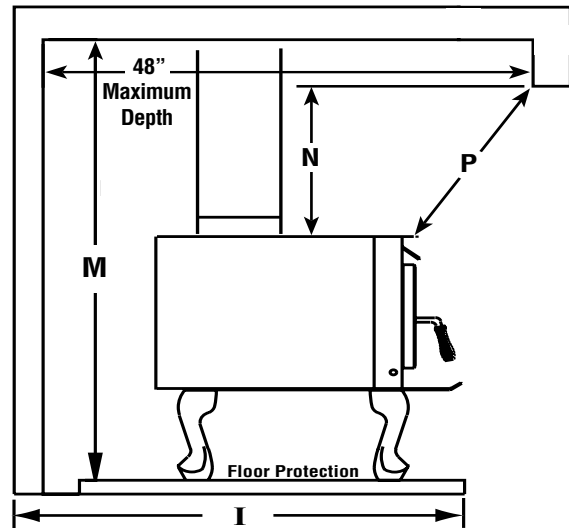


Diagram B: Side View-Alcove & Parallel Installation



Clearances

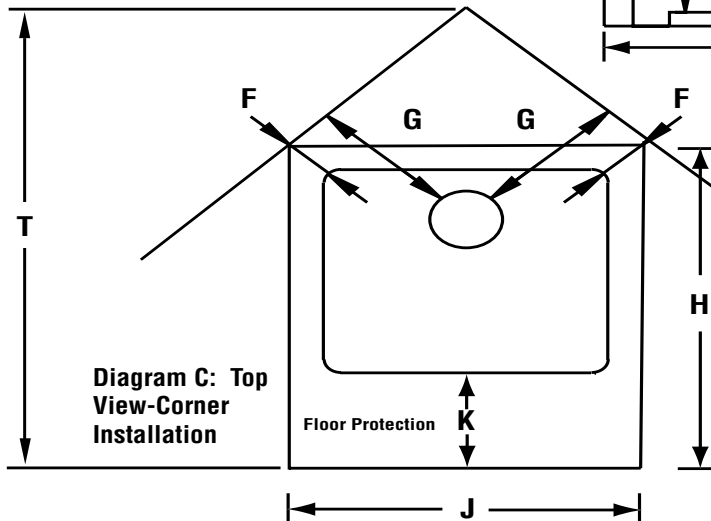


Diagram C: Top View-Corner Installation

Footnotes:

1. These dimensions to the stove body are for reference only. Actual distances should be measured from the stove's flue collar.
2. Minimum noncombustible hearth pad dimensions.
3. Shield shall be attached to the rear of the stove pipe with a 1" air space and must run from the top of the stove to the ceiling.
4. Not applicable to alcove installations.

Clearances to connector pipe shall be measured from the flue collar of the stove.

