

# Grandview™ GV300GL

## Appliance Specifications - Freestanding Wood Stoves

| Product Reference Information |                                     |              |               |
|-------------------------------|-------------------------------------|--------------|---------------|
| Cat. No.                      | Description                         | Ship. Weight | Ship. Volume  |
| F3833                         | Grandview™ 300GL Wood-Burning Stove | 445 lb.      | 20.09 cu. ft. |

Specifications

- Stove Pipe Diameter**  
Single Wall or Double Wall      6" (152 mm)
- Log Length**      17" W x 21" D Max.  
(341.8mm W x 533mm D Max.)
- Firebox**      18.2" W x 21.23" D x 13" H Max.  
(462.28mm W x 539.25mm D x 330.2mm H Max.)  
Volume = 2.91 cu. ft.
- Glass Viewing Area**      16-1/2" W x 11-5/16" H  
(419mm W x 287mm H)
- EPA Test Load:**      29,181 BTUs/hr.  
**Cord Wood:** ①      100,000 BTUs/hr.
- Maximum Burn Times** ①      14 hours
- Heating Capacity** ①      2000 to 3000 sq. ft.

Notes

**NOTES:**

- Dimensions shown are approximations only (+/- 1/4")
- Diagrams, illustrations and photographs are not to scale – consult installation instructions. Product designs, materials, dimensions, specifications, colors and prices are subject to change or discontinuance without notice.
- Approved for residential and alcove installations.
- Optional Kits Available:  
Door Trim Kit  
Blower  
Outside Air Kit  
Deco Trim  
Leg's (choice of three style of legs in black painted, brushed nickel or nickel finish)  
Pedestal Base  
Ash Drawer for legs or for pedestal

① Square-foot heating capacities and burn times are approximations only. Actual performance may vary depending upon home design and insulation, ceiling heights, climate, condition and type of wood used, appliance location, burn rate, accessories chosen, chimney installation and how the appliance is operated.

Listing

The Grandview™ Model GV300GL woodstove is safety listed with the following agency:

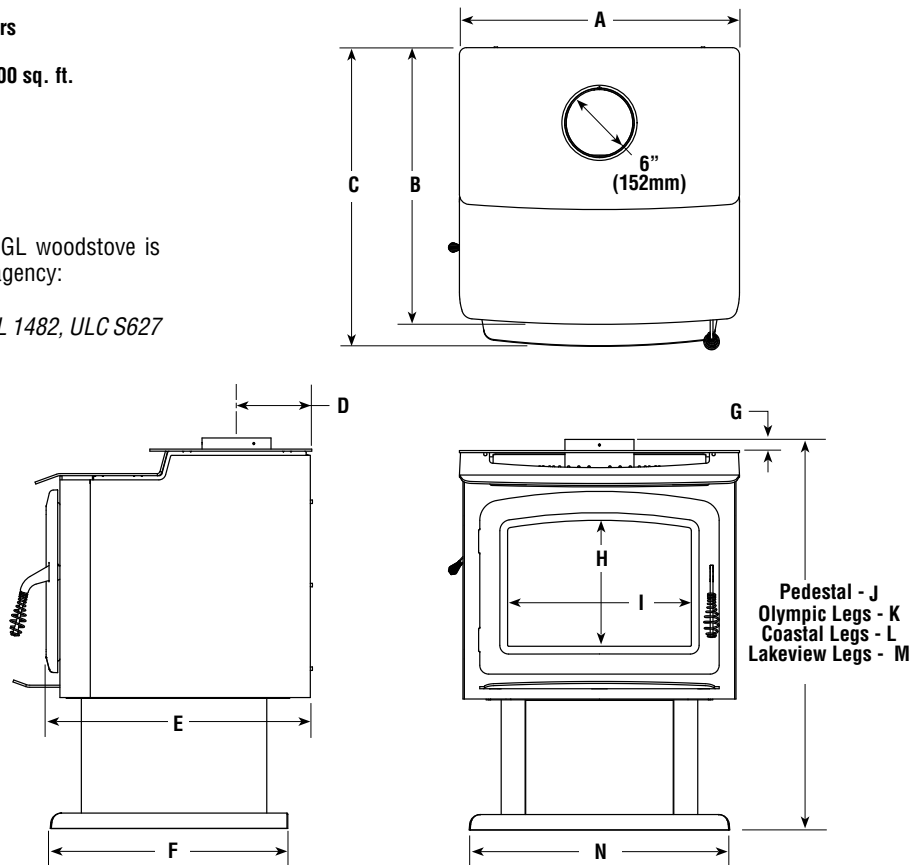
- PFS Corporation, Tested to UL 1482, ULC S627



Report No. 14-194

EPA certification test emission value 1.8 g/hr per 2020 cordwood standard

Dimensions

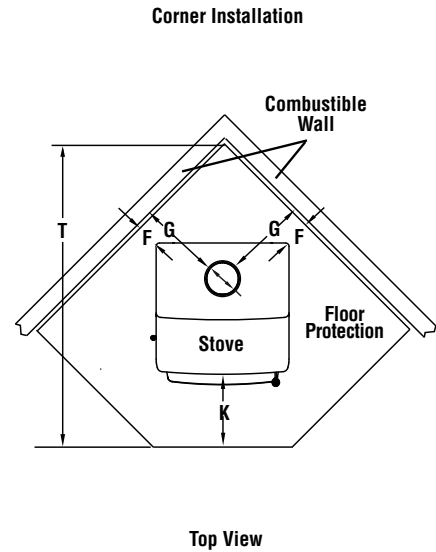
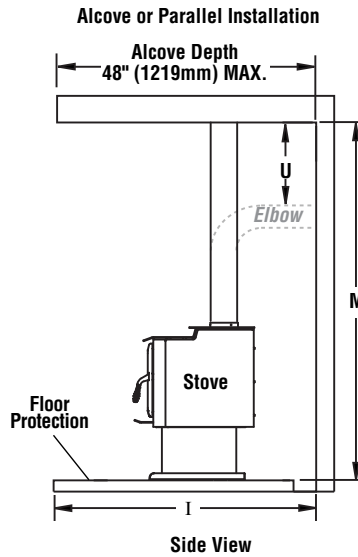
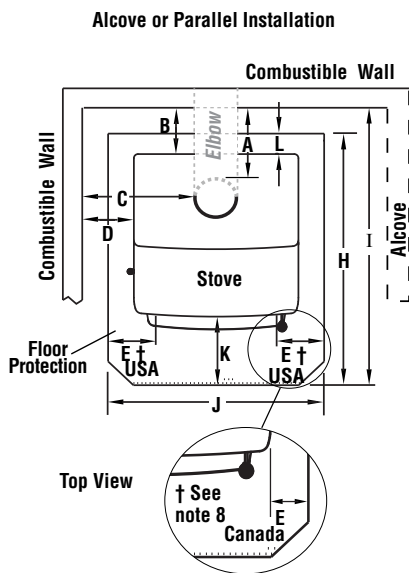


| A                  | B                  | C                   | D                 | E                   | F                   | G                 | H                  | I                   | J                 | K                 | L                 | M                    | N                 |
|--------------------|--------------------|---------------------|-------------------|---------------------|---------------------|-------------------|--------------------|---------------------|-------------------|-------------------|-------------------|----------------------|-------------------|
| 26-1/2"<br>(673mm) | 27-3/8"<br>(695mm) | 29-5/16"<br>(744mm) | 6-5/8"<br>(169mm) | 26-3/16"<br>(666mm) | 21-7/16"<br>(544mm) | 1-1/16"<br>(27mm) | 16-1/2"<br>(419mm) | 11-5/16"<br>(287mm) | 36-1/8<br>(917mm) | 34-5/8<br>(880mm) | 33-5/8<br>(854mm) | 33-15/16"<br>(862mm) | 23-1/8<br>(588mm) |



# Grandview™ GV300GL

## Clearances



### USA (inches)



| PIPE        | INSTALLATION                             | A (3)  | B (1)  | C (3)  | D (1) | E (8) | F (1,4) | G(3,4) | H (2)  | I (6)  | J (2) | K (7) | L (5) | M  | T (6)   | U   |
|-------------|--|--------|--------|--------|-------|-------|---------|--------|--------|--------|-------|-------|-------|----|---------|-----|
| Single Wall | Residential-Vertical Vent                | 16     | 12-3/8 | 25-1/8 | 15    | 8     | 6       | 17     | 41-1/8 | 53-1/2 | 33    | 16    | 0     | 84 | 62-7/8  | N/A |
| Single Wall | Residential-With Elbow                   | 19-5/8 | 16     | 26-1/8 | 16    | 8     | 6       | 17     | 41-1/8 | 57-1/8 | 33    | 16    | 0     | 84 | 62-7/8  | 19  |
| Double Wall | Residential or Mobile Home-Vertical Vent | 11-5/8 | 8      | 23-1/8 | 13    | 8     | 5       | 16     | 41-1/8 | 49-1/8 | 33    | 16    | 0     | 84 | 61-7/16 | N/A |
| Double Wall | Residential or Mobile Home-With Elbow    | 11-5/8 | 8      | 24-1/8 | 14    | 8     | 5       | 16     | 41-1/8 | 49-1/8 | 33    | 16    | 0     | 84 | 61-7/16 | 10  |
| Double Wall | Alcove-Vertical Vent                     | 13-5/8 | 10     | 26-1/8 | 16    | 8     | N/A     | N/A    | 41-1/8 | 51-1/8 | 33    | 16    | 0     | 72 | N/A     | N/A |

### CANADA (millimeters)



| PIPE        | INSTALLATION                             | A (3) | B (1) | C (3) | D (1) | E (8) | F (1,4) | G(3,4) | H (2) | I (6) | J (2) | K (7) | L (5) | M    | T (6) | U   |
|-------------|--|-------|-------|-------|-------|-------|---------|--------|-------|-------|-------|-------|-------|------|-------|-----|
| Single Wall | Residential-Vertical Vent                | 406   | 314   | 635   | 381   | 200   | 152     | 432    | 1299  | 1410  | 1045  | 450   | 200   | 2134 | 1648  | N/A |
| Single Wall | Residential-With Elbow                   | 499   | 406   | 664   | 406   | 200   | 152     | 432    | 1299  | 1502  | 1045  | 450   | 200   | 2134 | 1648  | 483 |
| Double Wall | Residential or Mobile Home-Vertical Vent | 295   | 203   | 587   | 330   | 200   | 127     | 406    | 1299  | 1299  | 1045  | 450   | 200   | 2134 | 1611  | N/A |
| Double Wall | Residential or Mobile Home-With Elbow    | 295   | 203   | 613   | 356   | 200   | 127     | 406    | 1299  | 1299  | 1045  | 450   | 200   | 2134 | 1611  | 254 |
| Double Wall | Alcove-Vertical Vent                     | 346   | 254   | 664   | 406   | 200   | N/A     | N/A    | 1299  | 1349  | 1045  | 450   | 200   | 1829 | N/A   | N/A |

### Footnotes:

- 1- These dimensions to the stove body are for reference only. Actual distances should be measured from the stove's flue collar.
- 2- Minimum noncombustible hearth pad dimensions.
- 3- Clearances to connector pipe shall be measured from the flue collar of the stove.
- 4- Not applicable to alcove installations.
- 5- In corner applications, when installed at minimum back wall clearances, the required floor protection is dimensioned off the back plane of the stove, therefore the floor protection required off the back corners (at a 45 degree angle) only needs to extend to the wall. This situation will only occur in CANADA installations.
- 6- Reference dimension only, to assist in planning the installation.
- 7- Measured from front of floor protection to the front of firebox.
- 8- USA=8" (200mm) from door opening, Canada=8" (200mm) from sides and back of unit.