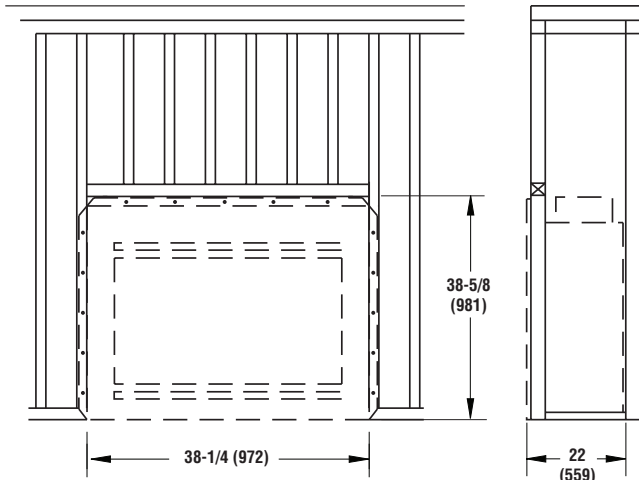


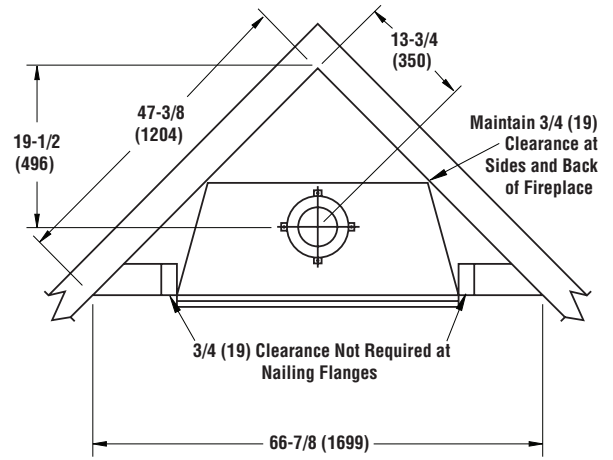
Blackstone™ 36 Series

WOOD-BURNING FIREPLACES

Framing Dimensions



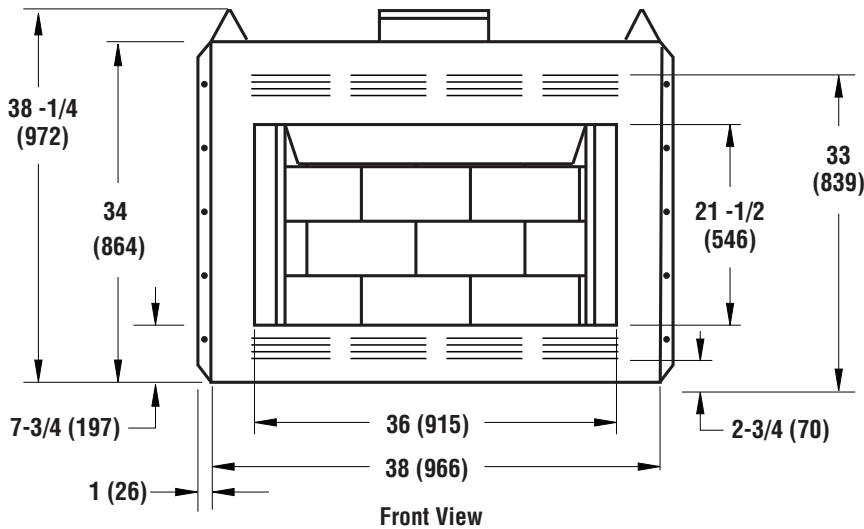
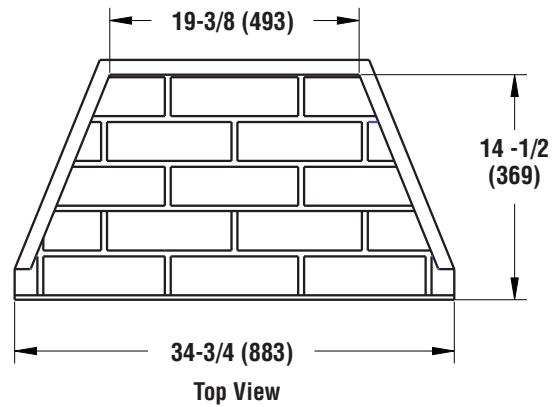
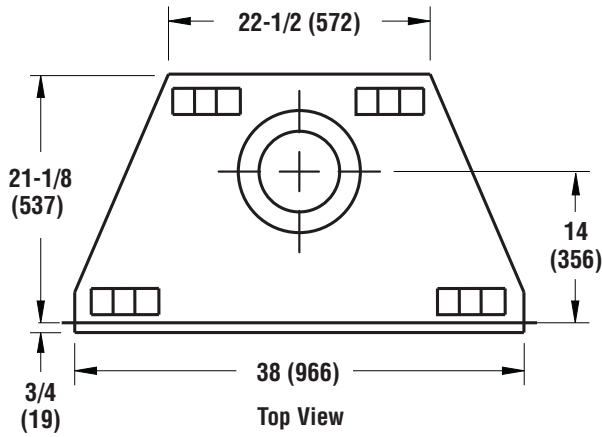
Parallel Framing Dimensions



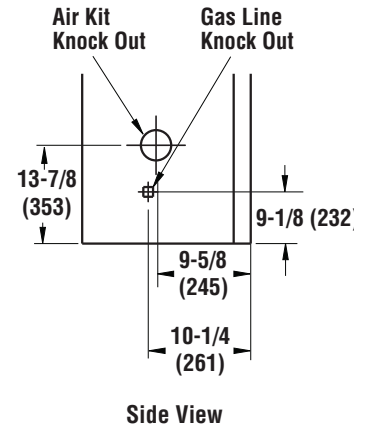
Corner Framing Dimensions

Inches (millimeters)

Fireplace Dimensions



Inches (millimeters)



NOTE: DIAGRAMS & ILLUSTRATIONS ARE NOT TO SCALE.

Blackstone™ 36 Series

Product Information

Product Reference Information					
Cat. No.	Model	Description	Interior	Shipping Weight	Shipping Volume
F2537	Blackstone36RWS	Radiant	WS	150 lb.	19.4 cu. ft.
F2538	Blackstone36LWS	Louvered	WS	150 lb.	19.4 cu. ft.

Listing Information



Report No. 09-171

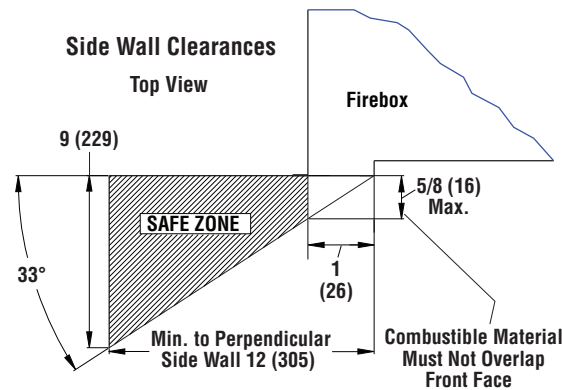
This fireplace has been tested and approved by PFS Corporation under UL127/ULC-S610 standard as a Factory Built Appliance and may be used with gas logs approved to ANSI Z21.60, Z21.84 or Z21.11.2 standards.

Clearances to Combustibles	
Description	Min. Clearance
Back and sides of fireplace	3/4 (19)*
Floor	0 (0)**
Perpendicular wall to opening	14 (356)
Top spacers	0 (0)
Chimney outer pipe surface	1 (26)

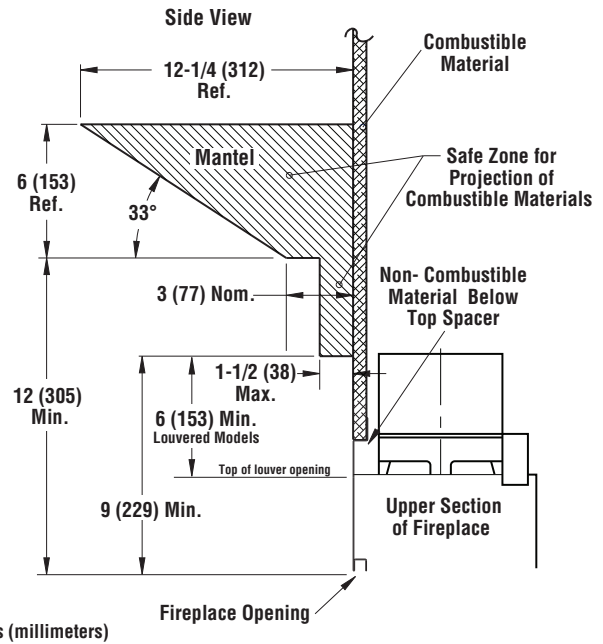
* Not required at nailing flanges

** See step 2 of Framing in the Installation and Operation Manual

Clearances



Mantel Clearances



Venting

Uses Standard (8DM) and Hi-Temp (8HT) Wood-Burning Chimney. For Canada Use 8HT Chimney

Venting

