



P/N 901147-00 REV. E 11/2022



Installation and Operation Instructions

Epsilon LX Series Electronic Linear Vent-Free Gas Fireplaces

Models

EPSILONLX45ZEN
EPSILONLX55ZEN

EPSILONLX45ZEP
EPSILONLX55ZEP

INSTALLER: Leave this manual with the appliance.

CONSUMER: Retain this manual for future reference.

This appliance may be installed in an aftermarket* permanently located, manufactured (mobile) home, where not prohibited by local codes. This appliance is only for use with the type of gas indicated on the rating plate. This appliance is not convertible for use with other gases.

* Aftermarket: Completion of sale, not for purpose of resale, from the manufacturer

This is an unvented gas-fired heater. It uses air (oxygen) from the room in which it is installed. Provisions for adequate combustion and ventilation air must be provided. Refer to Air for Combustion and Ventilation section on Page 7 of this manual.

⚠ WARNING: If the information in this manual is not followed exactly, a fire or explosion may result causing property damage, personal injury or loss of life.

- Do not store or use gasoline or other flammable vapors and liquids in the vicinity of this or any other appliance.
- **WHAT TO DO IF YOU SMELL GAS**
 - Do not try to light any appliance.
 - Do not touch any electrical switch; do not use any phone in your building.
 - Immediately call your gas supplier from a neighbor's phone. Follow the gas supplier's instructions.
 - If you cannot reach your gas supplier, call the fire department.
- Installation and service must be performed by a qualified installer, service agency or the gas supplier.

SAFETY

⚠ WARNING: FIRE, EXPLOSION, AND ASPHYXIATION HAZARD

Improper adjustment, alteration, service, maintenance, or installation of this heater or its controls can cause death or serious injury.

Read and follow instructions and precautions in User's Information Manual provided with this heater.

⚠ These appliances comply with National Safety Standards and are listed by PFS TECO to ANSI Z21.11.2 as unvented Gas-fired room heaters.

⚠ WARNING: Vent-free products are prohibited for bedroom and bathroom installation in the Commonwealth of Massachusetts.

⚠ WARNING: This product can expose you to chemicals including Carbon Black, which is known to the State of California to cause cancer, and Carbon Monoxide, which is known to the State of California to cause birth defects or other reproductive harm. For more information go to www.P65Warnings.ca.gov

Any safety screen, guard, or barrier removed for servicing an appliance must be replaced prior to operating the heater. The firescreen or guard designed for this unvented appliance must be installed prior to operation.

⚠ WARNING: Any change to this heater or its controls can be dangerous.

⚠ WARNING: Do not use a blower insert, heat exchanger insert or other accessory not approved for use with this heater.

⚠ WARNING: Do not allow fans to blow directly into the fireplace. Avoid any drafts that alter burner flame patterns. Ceiling fans can create drafts that alter burner flame patterns. Altered burner patterns can cause soot-ing.

Children and adults should be alerted to the hazard of high surface temperature and should stay away to avoid burns or clothing ignition. Heater will remain hot for a time after shutdown. Allow surface to cool before touching.

IMPORTANT: Read this owner's manual carefully and completely before trying to assemble, operate or service this heater. Improper use of this heater can cause serious injury or death from burns, fire, explosion, electrical shock and carbon monoxide poisoning.

⚠ DANGER: Carbon monoxide poisoning may lead to death!

Carbon Monoxide Poisoning: Early signs of carbon monoxide poisoning resemble the flu, with headaches, dizziness or nausea. If you have these signs, the heater may not be working properly. Get fresh air at once! Have heater serviced. Some people are more affected by carbon monoxide than others. These include pregnant women, people with heart or lung disease or anemia, those under the influence of alcohol and those at high altitudes.

Natural and Propane/LP Gas: Natural and propane/LP gases are odorless. An odor-making agent is added to the gas. The odor helps you detect a gas leak. However, the odor added to the gas can fade. Gas may be present even though no odor exists.

Make certain you read and understand all warnings. Keep this manual for reference. It is your guide to safe and proper operation of this heater.

Due to high temperatures, the appliance should be located out of traffic and away from furniture and draperies.

Do not place clothing or other flammable material on or near the appliance. Never place any objects on the heater.

⚠ WARNING: Do not place log scraps or volcanic stone on burner.

Fireplace front and screen become very hot when running fireplace.

⚠ WARNING: Young children should be carefully supervised when they are in the same room with the appliance. When using the hand-held remote accessory, keep selector switch in the OFF position to prevent children from turning on burners with remote.

You must operate appliance with the fireplace screen and hood in place before running heater. The fireplace screen shall have openings for introduction of combustion air.

SAFETY *Continued*

Keep the appliance area clear and free from combustible materials, gasoline and other flammable vapors and liquids.

Solid-fuels shall not be burned in a fireplace in which an unvented room heater is installed.

This appliance must be mounted on a fully supported base extending the full width and depth of the unit. The fireplace may be located on or near conventional construction materials. However, if installed on combustible materials, such as carpeting, vinyl tile or other combustible material other than wood flooring, the appliance shall be installed on a metal or wood panel extending the full width and depth of the appliance.

Installation and repair should be done by a qualified service person. The appliance should be inspected before use and at least annually by a professional service person. More frequent cleaning may be required due to excessive lint from carpeting, bedding material, etc. It is imperative that control compartments, burners, and circulating air passageways of the appliance be kept clean.



**EPSILON LX Series Fireplace
(45" Version Shown with Optional Driftwood Log Set and River Rocks)**

**NATIONAL
FIREPLACE
INSTITUTE**

CERTIFIED
www.nficertified.org

We recommend that our gas hearth products be installed and serviced by professionals who are certified in the U.S. by the National Fireplace Institute® (NFI) as NFI Gas Specialists.

THANK YOU FOR YOUR PURCHASE. WE APPRECIATE YOUR BUSINESS!

Please carefully read and follow all instructions in this manual. Pay special attention to all warnings and safety information. Following these safety, care, and operation instructions will help ensure many years of dependable and enjoyable service from your fireplace.

Please read and understand these instructions before installing, operating, or servicing this product.

General Information		Place the Fireplace in the Framing and Secure.....	21
Safety and Your Fireplace.....	2	Complete the Field Wiring	21
Important Safety Information.....	4	Connect the Gas Line	24
Local Codes	5	Verify Proper Fireplace Operation.....	25
Unpacking.....	5	Initialize the Remote Control System for the First Time	25
Product Features.....	5	Install the Glass Media	26
Appliance Installation, Service, and Maintenance Notices.....	6	Install Interior Options	26
Air for Combustion and Ventilation	7	Adjust the Air Shutter to Ensure Proper Flame Appearance ..	26
Appliance Operation Notices	10	Install the Hood.....	28
Warranty Information.....	10	Installation/Reinstallation of required screen barrier bezel assembly.....	28
Important Safety and Warning Information.....	10	Blower Installation / Replacement.....	29
Packaging	12	Operation	
Introduction	12	Operation	30
Codes and Standards	12	Accessing control compartment	31
BTU Input.....	12	Install the Glass Media	33
Gas Pressure.....	12	Driftwood Log Setups	35
Orifice Sizes - Sea Level to High Altitude	13	Cleaning and Maintenance	37
Requirements for the Commonwealth of Massachusetts	14	Accessory Components	40
Manufactured Home Requirements	14	Lighting Instructions.....	41
Location	14	Troubleshooting	42
Minimum Clearances to Combustibles.....	14	Replacement Parts.....	44
Hearth Extension.....	15	Warranty	47
Shelf Height	15		
Wall Finishes / Surrounds / Mantels.....	15		
Installation			
Installation Preparation.....	16		
Installation Sequence.....	16		
Construct the Fireplace Framing	16		
Prepare the Fireplace Top Spacers.....	20		
Installing Non-Combustible Front Fireboard Standoff	20		
Route the Gas Supply Line to the Fireplace.....	20		
Rough in the Electrical Supply, if Needed.....	21		

IMPORTANT SAFETY INFORMATION

1. WARNING: This appliance is only for use with the type of gas indicated on the rating plate. This appliance is not convertible for use with other gases.

2. Do not place propane/LP supply tank(s) inside any structure. Locate propane/LP supply tank(s) outdoors (propane/LP only).
3. If you smell gas
 - shut off gas supply
 - do not try to light any appliance
 - do not touch any electrical switch; do not use any phone in your building
 - leave the building immediately
 - immediately call your gas supplier from a neighbor's phone. Follow the gas supplier's instructions
 - if you cannot reach your gas supplier, call the fire department
4. This fireplace shall not be installed in a bedroom or bathroom.
5. Do not use this fireplace as a wood-burning fireplace. Use only provided media and accessories listed in this manual.
6. Do not add extra logs or ornaments such as pine cones, vermiculite, glowing embers, rockwool or volcanic stone to this fireplace.
7. This fireplace is designed to be smokeless. If unit ever appears to smoke, turn off fireplace and call a qualified service person.

NOTE: During initial operation, slight smoking could occur due to fireplace burning manufacturing residues.
8. To prevent the creation of soot, follow the instructions in Cleaning and Maintenance, **Page 37**.
9. Before using furniture polish, wax, carpet cleaner, or similar products, turn heater off. If heated, the vapors from these products may create a white powder residue within burner box or on adjacent walls or furniture..

IMPORTANT SAFETY INFORMATION - CONT.

10. This fireplace needs fresh air ventilation to run properly. This fireplace has an Oxygen Depletion Sensing (ODS) safety shutoff system. The ODS shuts down the fireplace if not enough fresh air is available. See *Air for Combustion and Ventilation*, **Page 7**. If fireplace keeps shutting off, see *Troubleshooting*, **Page 42**.
11. Do not run fireplace
 - where flammable liquids or vapors are used or stored.
 - under dusty conditions.
12. Do not use this fireplace to cook food or burn paper or other objects. Never place any objects in the fireplace.
13. Do not use this room heater if any part has been under water. Immediately call a qualified service technician to inspect the room heater and to replace any part of the control system and any gas control which has been under water.
14. Turn off and unplug fireplace and let cool before servicing. Only a qualified service person should service and repair fireplace.
15. Operating fireplace above elevations of 4,500 feet could cause pilot outage.
16. To prevent performance problems, do not use propane/LP fuel tank of less than 100 lbs. capacity (propane/LP only).
17. Provide adequate clearances around air openings.
18. The screen or any other part removed for servicing must be replaced prior to operating this heater.

LOCAL CODES

Install and use appliance with care. The installation must conform with local codes or in the absence of local codes, to the latest edition of The National Fuel Gas Code, ANSI Z223.1/NFPA54*. Firebox must be electrically grounded in accordance with the National Electrical Code, ANS/NFPA70* (latest edition).

*Available from:

American National Standards Institute, Inc.
25 West 43rd Street, 4th floor
New York, NY 10036

National Fire Protection Association, Inc.
1 Batterymarch Park
Quincy, MA 02169-7471

UNPACKING

⚠ CAUTION: Do not remove the data plates attached to the heater base assembly. The data plates contain important warranty and safety information.

1. Remove the shipping carton and retain front to use as protection during construction.
2. Remove the barrier assembly and items inside.
3. Check appliance for any shipping damage. If appliance is damaged, promptly inform dealer where you purchased the appliance.

PRODUCT FEATURES

OPERATION

This vent-free fireplace is clean burning. It requires no outside venting. There is no heat loss out a vent or up a chimney. Heat is generated by realistic flames. When used without the blower and lights, the fireplace has a battery backup option allowing use for backup heat in case of a power outage.

SAFETY DEVICE

This fireplace has a pilot with an Oxygen Depletion Sensing (ODS) safety shutoff system. The ODS/pilot is a required feature for vent-free room heaters. The ODS/pilot system shuts off the fireplace if there is not enough fresh air.

ELECTRONIC IGNITION SYSTEM

This heater has an electronic igniter to light the fireplace's fuel supply.

APPLIANCE INSTALLATION, SERVICE, AND MAINTENANCE NOTICES

WARNING

Improper installation, adjustment, alteration, service or maintenance can cause injury or property damage. Refer to this manual. For assistance or additional information consult a qualified installer, service agency or the gas supplier.

Only trim kit(s) supplied by the manufacturer shall be used in the installation of this fireplace.

Any change to this appliance and/or its operating controls is dangerous. Improper installation or use of this appliance can cause serious injury or death from fire, burns, explosion or carbon monoxide poisoning.

CARBON MONOXIDE POISONING: Early signs of carbon monoxide poisoning are similar to the flu with headaches, dizziness and/or nausea. If you have these signs, obtain fresh air immediately. Turn off the gas supply to the appliance and have it serviced by a qualified professional, as it may not be operating correctly. Some people are more affected by carbon monoxide than others, including pregnant women, people with heart or lung disease or anemia, those under the influence of alcohol, and those at high altitudes.

Turn off gas and electrical power to the appliance and allow it to cool before cleaning or servicing the appliance.

If the barrier bezel assembly becomes damaged, the barrier bezel assembly shall be replaced with the manufacturer's barrier bezel assembly for this appliance.

For use with barrier bezel assembly(s) Part No(s). F4723 (45" Models) and F4724 (55" models). Follow installation instructions.

Reinstall any barrier bezel assembly removed before operating the appliance. The barrier bezel assembly is designed to reduce the risk of burns. Do not operate the appliance without the barrier bezel assembly installed.

AIR FOR COMBUSTION AND VENTILATION

⚠ WARNING: This heater shall not be installed in a room or space unless the required volume of indoor combustion air is provided by the method described in the National Fuel Gas Code, ANSI Z223.1/NFPA 54, the International Fuel Gas Code, or applicable local codes. Read the following instructions to ensure proper fresh air for this and other fuel-burning appliances in your home.

Today's homes are built more energy efficient than ever. New materials, increased insulation, and new construction methods help reduce heat loss in homes. Homeowners apply weather strip and caulk around windows and doors to keep the cold air out and the warm air in. During heating months, homeowners want their homes as airtight as possible.

While it is good to make your home energy efficient, your home needs to breathe. Fresh air must enter your home. All fuel-burning appliances need fresh air for proper combustion and ventilation.

Exhaust fans, some fireplaces, clothes dryers and some fuel-burning appliances draw air from the house to operate. You must provide adequate fresh air for these appliances. This will ensure proper venting of vented fuel-burning appliances.

PROVIDING ADEQUATE VENTILATION

The following are excerpts from National Fuel Gas Code, ANSI Z223.1/NFPA 54, Air for Combustion and Ventilation.

All spaces in homes fall into one of the three following ventilation classifications:

1. Unusually Tight Construction
2. Unconfined Space
3. Confined Space

The information on **Pages 7–9** will help you classify your space and provide adequate ventilation.

Unusually Tight Construction

The air that leaks around doors and windows may provide enough fresh air for combustion and ventilation. However, in buildings of unusually tight construction, you must provide additional fresh air.

Unusually tight construction is defined as construction where:

- a. walls and ceilings exposed to the outside atmosphere have a continuous water vapor retarder with a rating of one perm (6×10^{-11} kg per pa-sec- m^2) or less with openings gasketed or sealed and
- b. weather stripping has been added on openable windows and doors and
- c. caulking or sealants are applied to areas such as joints around window and door frames, between sole plates and floors, between wall-ceiling joints, between wall panels, at penetrations for plumbing, electrical, and gas lines, and at other openings.

If your home meets all three criteria above, you must provide additional fresh air. See Ventilation Air From Outdoors, Page 9.

If your home does not meet all three criteria above, proceed to Determining Fresh-Air Flow For Heater Location.

Confined and Unconfined Space

The National Fuel Gas Code, ANSI Z223.1/NFPA54 allows two methods for determining whether the space in which the heater is being installed is confined or unconfined space. The standard method defines a confined space as a space whose volume is less than 50 cubic feet per 1,000 Btu per hour (4.8 m^3 per kw) of the aggregate input rating of all appliances installed in that space and an unconfined space as a space whose volume is not less than 50 cubic feet per 1,000 Btu per hour (4.8 m^3 per kw) of the aggregate input rating of all appliances installed in that space. Rooms communicating directly with the space in which the appliances are installed*, through openings not furnished with doors, are considered a part of the unconfined space.

Where the air infiltration rate of a structure is known, the Known Air Infiltration Rate Method may be used. Follow The National Fuel Gas Code, ANSI Z223.1/NFPA 54 to use this method to determine if the space is confined or unconfined.

* Adjoining rooms are communicating only if there are doorless passageways or ventilation grills between them.

DETERMINING FRESH-AIR FLOW FOR FIREPLACE LOCATION

Determining if You Have a Confined or Unconfined Space Using the Standard Method

AIR FOR COMBUSTION AND VENTILATION

Continued

Use this work sheet to determine if you have a confined or unconfined space.

Space: Includes the room in which you will install fireplace plus any adjoining rooms with doorless passageways or ventilation grills between the rooms.

1. Determine the volume of the space (length x width x height).

Length x Width x Height = _____ cu. ft. (volume of space)

Example: Space size 20 ft. (length) x 16 ft. (width) x 8 ft. (ceiling height) = 2,560 cu. ft. (volume of space)

If additional ventilation to adjoining room is supplied with grills or openings, add the volume of these rooms to the total volume of the space.

2. Multiply the space volume by 20 to determine the maximum Btu/Hr the space can support.

_____ (volume of space) x 20 = (Maximum Btu/Hr the space can support)

Example: 2,560 cu. ft. (volume of space) x 20 = 51,200 (maximum Btu/Hr the space can support)

3. Add the Btu/Hr of all fuel burning appliances in the space.

Vent-free fireplace _____	Btu/Hr
Gas water heater* _____	Btu/Hr
Gas furnace _____	Btu/Hr
Vented gas heater _____	Btu/Hr
Gas fireplace logs _____	Btu/Hr
Other gas appliances* + _____	Btu/Hr
Total = _____	Btu/Hr

* Do not include direct-vent gas appliances. Direct-vent draws combustion air from the outdoors and vents to the outdoors.

Example:

Gas water heater <u>40,000</u>	Btu/Hr
Vent-free fireplace <u>33,000</u> +	Btu/Hr
Total = <u>73,000</u>	Btu/Hr

4. Compare the maximum Btu/Hr the space can support with the actual amount of Btu/Hr used.

_____ Btu/Hr (maximum the space can support)

_____ Btu/Hr (actual amount of Btu/Hr used)

Example: 51,200 Btu/Hr (maximum the space can support)

73,000 Btu/Hr (actual amount of Btu/Hr used)

The space in the example is a confined space because the actual Btu/Hr used is more than the maximum Btu/Hr the space can support. You must provide additional fresh air. Your options are as follows:

A. Rework worksheet, adding the space of an adjoining room. If the extra space provides an unconfined space, remove door to adjoining room or add ventilation grills between rooms. See Ventilation Air From Inside Building.

B. Vent room directly to the outdoors. See Ventilation Air From Outdoors Page 9.

C. Install a lower Btu/Hr fireplace, if lower Btu/Hr size makes room unconfined.

If the actual Btu/Hr used is less than the maximum Btu/Hr the space can support, the space is an unconfined space. You will need no additional fresh air ventilation.

⚠ WARNING: If the area in which the heater may be operated does not meet the required volume for indoor combustion air, combustion and ventilation air shall be provided by one of the methods described in the National Fuel Gas Code, ANSI Z223.1/NFPA 54, the International Fuel Gas Code, or applicable local codes.

VENTILATION AIR

Ventilation Air From Inside Building

This fresh air would come from an adjoining unconfined space. When ventilating to an adjoining unconfined space, you must provide two permanent openings: one within 12" of the ceiling and one within 12" of the floor on the wall connecting the two spaces (see options 1 and 2, **Figure 1**). You can also remove door into adjoining room (see option 3, **Figure 1**).

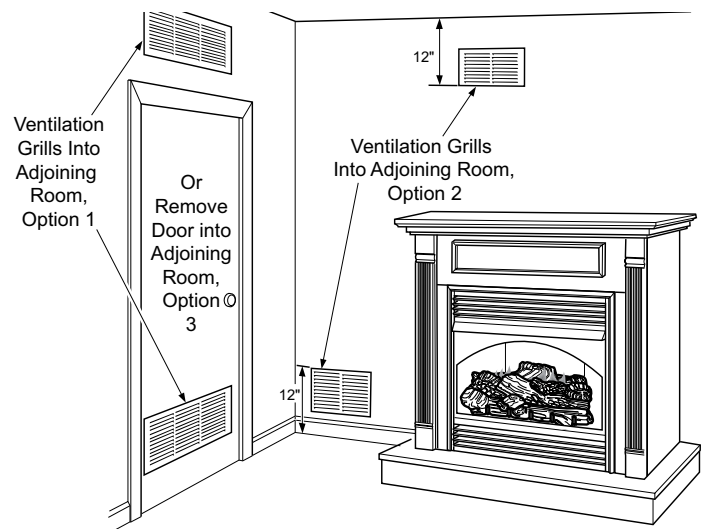


Figure 1 - Ventilation Air from Inside Building

AIR FOR COMBUSTION AND VENTILATION Continued

Follow the National Fuel Gas Code, ANSI Z223.1/NFPA 54, Air for Combustion and Ventilation for required size of ventilation grills or ducts.

Ventilation Air From Outdoors

Provide extra fresh air by using ventilation grills or ducts. You must provide two permanent openings: one within 12" of the ceiling and one within 12" of the floor. Connect these items directly to the outdoors or spaces open to the outdoors. These spaces include attics and crawl spaces. Follow the National Fuel Gas Code, ANSI Z223.1/NFPA 54, Air for Combustion and Ventilation for required size of ventilation grills or ducts.

IMPORTANT: Do not provide openings for inlet or outlet air into attic if attic has a thermostat-controlled power vent. Heated air entering the attic will activate the power vent.

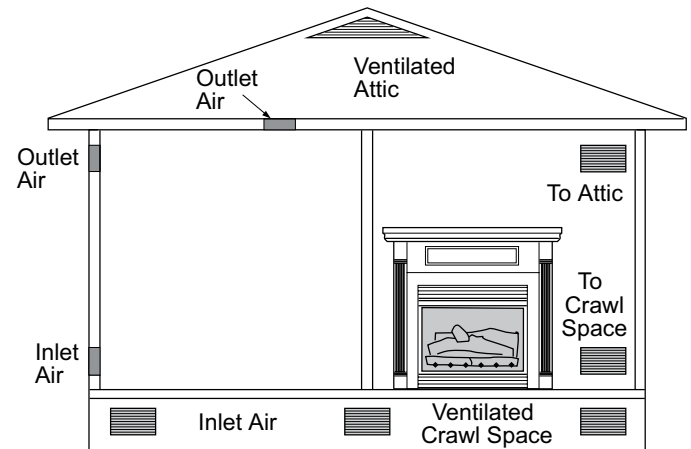


Figure 2 - Ventilation Air from Outdoors

APPLIANCE OPERATION NOTICES

Provide adequate clearances around air openings and adequate accessibility clearance for service and proper operation. Never obstruct the front openings of the appliance.

WARRANTY INFORMATION

Your gas appliance is covered by a limited lifetime warranty. You will find a copy of the warranty accompanying this manual. Please read the warranty to be familiar with its coverage.

Retain this manual. File it with your other documents for future reference.

Failure to comply with the installation and operating instructions provided will result in an improperly installed and operating appliance, voiding its warranty.

Do not attempt to alter or modify the construction of the appliance or its components. Any modification or alteration may void the warranty, certification, and listings of this unit.

IMPORTANT SAFETY AND WARNING INFORMATION

CAUTION

Hot while in operation. Do not touch. Severe Burns may result. Keep children, clothing furniture, gasoline and other liquids having flammable vapors away.

WARNING

This product can expose you to chemicals including Carbon Black, which is known to the State of California to cause cancer, and Carbon Monoxide, which is known to the State of California to cause birth defects or other reproductive harm. For more information go to www.P65Warnings.ca.gov

NOTICE: This appliance is intended for supplemental heating. Use this heater along with your primary heating system. Do not install this heater as your primary heat source. If you have a central heating system, you may run system's circulating blower while using heater. This will help circulate the heat throughout the house. In the event of a power outage, you can use this heater as your primary heat source.

⚠ WARNING: A qualified service person must install fireplace. Follow all local codes.

- ⚠ WARNING:** Never install the fireplace
- in a bedroom or bathroom
 - in a recreational vehicle
 - where curtains, furniture, clothing, or other flammable objects are less than 36" from the front and 42" from the top of fireplace. For side clearances see *Figure 4B, Page 15*
 - in high traffic areas
 - in windy or drafty areas

⚠ CAUTION: This fireplace creates warm air currents. These currents move heat to wall surfaces next to fireplace. Installing fireplace next to vinyl or cloth wall coverings or operating heater where impurities (such as, but not limited, to tobacco smoke, aromatic candles, cleaning fluids, oil or kerosene lamps, etc.) in the air exist, may discolor walls or cause odors.

NOTE: Your fireplace is designed to be used in zero clearance installations. Wall or framing material can be placed directly against any exterior surface on the rear, sides, or top of your fireplace, except where standoff spacers are integrally attached. Where standoff spacers are attached to your fireplace, combustible material (studs and wall board) may be placed against, on top and above the standoffs.

Use the dimensions shown for rough openings to create the easiest installation. See *Built-In Fireplace Installation, Pages 17 and 18*.

IMPORTANT: Vent-free heaters add moisture to the air. Although this is beneficial, installing fireplace in rooms without enough ventilation air may cause mildew to form from too much moisture. See *Air for Combustion and Ventilation, Pages 7 and 8*.

IMPORTANT: Make sure the fireplace is level. If fireplace is not level, it will not work properly.

CHECK GAS TYPE

Use the correct type of gas (natural or propane/LP). If your gas supply is not the correct gas type, do not install appliance. Call dealer where you purchased the appliance for proper type appliance.

⚠ WARNING: This appliance is equipped for either natural gas or propane/LP gas but not both. Gas type is indicated on the rating plate. Field conversion is not permitted.

INSTALLATION

PACKAGING

All Epsilon LX models include

- Literature Kit (bag containing Installation and Operation Instructions (this manual) along with other applicable items).
- 8" non-combustible board 2 side brackets and 1 center bracket
- 55" units use 5 lbs. of Platinum Glass Media. **NOTE:** 45" models will only use 4 Lbs of Platinum Glass Media.
- Touchscreen Remote
- 15 feet of Two Conductor Wire
- Burner Glass Panel and Mounting Brackets
- 2 Piece Media Tray

INTRODUCTION

This vent-free fireplace is clean burning. It requires no outside venting. There is no heat loss out a vent or up a chimney. Heat is generated by realistic flames. When used without the blower and lights, the fireplace has a battery backup option allowing use for backup heat in case of a power outage.

Codes and Standards

These appliances comply with National Safety Standards and are listed by PFS TECO to ANSI Z21.11.2 as unvented Gas-fired room heaters.

The installation must conform to local codes or, in the absence of local codes, with the National Fuel Gas Code, ANSI Z223.1/NFPA 54—latest edition.

The fireplace, when installed, must be electrically grounded and wired in accordance with local codes or, in the absence of local codes, with the National Electrical Code, ANSI/NFPA 70—latest edition.

BTU Input

Table 1 - Input Rate (BTU/HR), Gas Valves

Models	Natural Gas	
	High Rate	Low Rate
EpsilonLX45ZEN	23,000	17,000
EpsilonLX45ZEP	21,000	17,000
EpsilonLX55ZEN	28,000	21,000
EpsilonLX55ZEP	27,000	21,000

Gas Pressure

Table 2 - Inlet Line Gas Pressures

Fuel	Minimum	Maximum
Natural Gas	5" WC / (1.25 kPa)	10.5" WC / (2.61 kPa)
Propane/LP	11.0" WC / (2.74 kPa)	13.0" WC / (3.23 kPa)

Table 3 - Manifold Outlet Gas Supply Pressure

Fuel	Pressure
Natural Gas	3.5" WC / (0.87 kPa)
Propane/LP	10.0" WC / (2.49 kPa)

The outlet manifold test gauge connection is provided on the valve stem (see **Figure 3**). The inlet line gas pressure test point is shown in **Figure 3A**. The control valves have a 3/8" (10 mm) NPT thread inlet and outlet side of the valve.

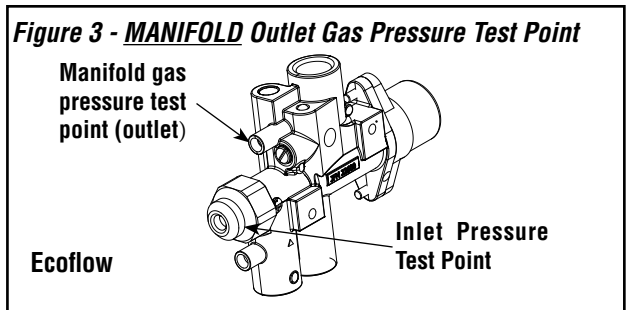
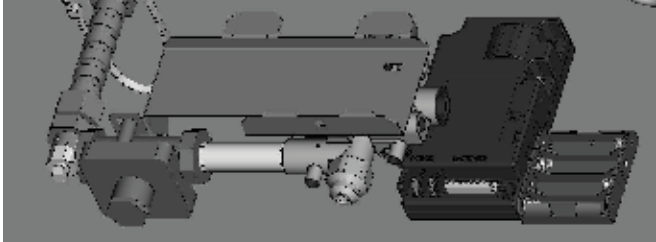


Figure 3A - INLET Line Gas Pressure Test Point

<p>Testing Inlet Line Gas Pressure (Qualified Technicians Only):</p> <ol style="list-style-type: none"> 1. Turn off gas shutoff valve and electrical. 2. Remove 1/8" plug (shown in diagram to the right). 3. Install an 1/8" nipple in place of plug. 4. Connect manometer to nipple, using an 1/8" NPT air hose nipple/fitting. 5. Turn on shutoff valve and check for proper inlet gas pressure. 6. Reverse steps 1-5. 	<p>Some parts have been removed for clarity</p>  <p>1/8" Inlet line gas pressure 'test point' plug (in control compartment)</p>
---	---

NOTE: Before accessing the test ports, the fireplace must be OFF and COLD. Turn OFF the main gas supply before connecting to the pressure taps.

Propane tanks are at pressures that will cause damage to valve components. Verify that the tanks have step down regulators to reduce the pressure to safe levels.

Using a propane tank smaller than 100 lbs may create pressure loss and insufficient fuel delivery, which can cause sooting, severe delayed ignition, or other malfunctions (see NFPA 58).

Any damage as a result of insufficient tank size or other improper installation is NOT covered under the limited warranty.

The appliance and its appliance main gas valve must be disconnected from the gas supply piping system during any pressure testing of that system at test pressures **in excess of** 1/2 psi (3.5 kPa).

The appliance must be isolated from the gas supply piping system by closing its equipment shutoff valve during any pressure testing of the gas supply piping system at test pressures **equal to or less than** 1/2 psi (3.5 kPa).

Orifice Sizes—Sea Level to High Altitude

These fireplaces are tested and approved for installation at elevations of 0 - 4500 ft (0 - 1372 m) above sea level using the standard burner orifice sizes (**Table 4**). Operating fireplace above elevations of 4,500 ft, could cause pilot outage.

Table 4 - Burner Orifice Sizes, Elevation 0 - 4500 ft (0 - 1372 m)

Model	Drill size *
EpsilonLX45ZEN	#43 (.089")*
EpsilonLX45ZEP	#55 (.052")*
EpsilonLX55ZEN	#40 (.098")*
EpsilonLX55ZEP	#53 (.0595")*

* Standard size installed at factory

COMMONWEALTH OF MASSACHUSETTS REQUIREMENTS

These appliances are approved for installation in the US state of Massachusetts if the following additional requirements are met:

- Un-vented Room Heaters shall be installed in accordance with 527 CMR 30.
- Installation and repair must be done by a plumber or gas fitter licensed in the Commonwealth of Massachusetts.
- The flexible gas line connector used shall not exceed 36 inches (92 centimeters) in length.
- The individual manual shut-off must be a T-handle type valve.
- Un-vented appliances may NOT be installed in bedrooms or bathrooms.
- A working smoke detector must be installed in the area where vent-free appliances are installed.

Seller of un-vented propane or natural gas-fired supplemental room heaters shall provide to each purchaser a copy of 527 CMR 30 upon sale of the unit

MANUFACTURED HOME REQUIREMENTS

This appliance may be installed in an aftermarket, permanently located, manufactured home (USA only) or mobile home, where not prohibited by local codes.

This appliance is only for use with the type of gas indicated on the rating plate. This appliance is not convertible for use with other gases.

CAUTION

Ensure that the cross members are not cut or weakened during installation. The structural integrity of the manufactured home floor, wall, and ceiling / roof must be maintained.

CAUTION

This appliance must be grounded to the chassis of the manufactured home in accordance with local codes or in the absence of local codes, with the National Electrical Code ANSI / NFPA 70—latest edition or the Canadian Electrical Code CSA C22.1—latest edition.

LOCATION

In selecting the location, the aesthetic and functional use of the fireplace are primary concerns. However, access to the fuel supply is also important.

Due to high temperatures, the fireplace should be located out of traffic and away from furniture and draperies.

The location should also be free of electrical, plumbing or other heating/air conditioning ducting.

Be aware that this is a heat producing fireplace. Objects placed above the unit are exposed to elevated temperatures. Do not insulate the space between the fireplace and the area above it.

The minimum height from the base of the fireplace to the underside of combustible materials used to construct a utility shelf in this fashion is shown in **Table 6, Page 15**.

MINIMUM CLEARANCES TO COMBUSTIBLES

Fireplace Clearances

The fireplace is approved with zero clearance to combustible materials on all sides (**Table 5**), with the following exception: The unit may not be recessed (allowance made for mantel legs / side trim in **Figure 4B, Page 15**). When the unit is installed with one side flush with a wall, the wall on the other side of the unit must not extend beyond the front edge of the unit (**Figure 4B, Page 15**).

The fireplace must be mounted on a fully supported base extending the full width and depth of the unit. The fireplace may be located on or near conventional construction materials. However, if installed on combustible materials, such as carpeting, vinyl tile or other combustible material other than wood flooring, the appliance shall be installed on a metal or wood panel extending the full width and depth of the appliance.

Back	1/2" (13 mm) to wrapper 0" (0 mm) to Spacers
Sides	1/2" (13 mm) to wrapper 0" (0 mm) to Spacers **
Top Standoffs	0" (0 mm) to top standoffs
Floor	0" (0 mm)***
From Bottom of Unit to Ceiling	52" (1321 mm)
Front Service Clearance— clearance immediately in front of viewing area(s)	36" (914 mm)
** See Page 21 for clearance requirements to the nailing flange located at each side of the unit and any screw heads adjacent to it. *** 6" (153 mm) if optional surround is used.	

Hearth Extension

A hearth extension is not required with this fireplace. If a hearth extension is used, do not block the screen barrier assembly from being installed or removed. Any hearth extension used is for appearance only and does not have to conform to standard hearth extension installation requirements.

Shelf Height

The minimum height from the base of the fireplace to the underside of combustible materials used to construct a utility shelf in this fashion is shown in **Table 6**.

Table 6- Combustible Shelf Height

Model	Shelf Height
45" Models	33"
55" Models	33"

CLEARANCES TO COMBUSTIBLES MUST BE MAINTAINED:
 No combustible materials or insulation is permitted in the shaded area between the appliance and the shelf above it.
⚠ WARNING: CRITICAL INSTALLATION INFORMATION THAT IF NOT FOLLOWED CAN RESULT IN A SAFETY HAZARD!

Wall Finishes / Surrounds / Mantels

NOTE: Combustible wall finish materials and/or surround materials must not be allowed to encroach the area defined by the fireplace front face (black sheet metal).

Non-Combustible materials, such as surrounds and other fireplace trim, may be installed on the fireplace face, but they must not impede the removal or installation of screen barrier bezel assembly.

Vertical installation clearances to combustible mantels vary according to the depth of the mantel (**Figures 4 and 4A**). Mantels constructed of Non-Combustible materials may be installed at any height above the fireplace opening. However, do not allow anything to hang below the fireplace hood.

Minimum clearance requirements include any projections such as shelves, window sills, mantels, etc. above the fireplace.

NOTE: To avoid heat-related finish damage, we recommend the use of high temperature paint on the underside of the mantel.

Figure 4- Epsilon LX Series, Standard Installation

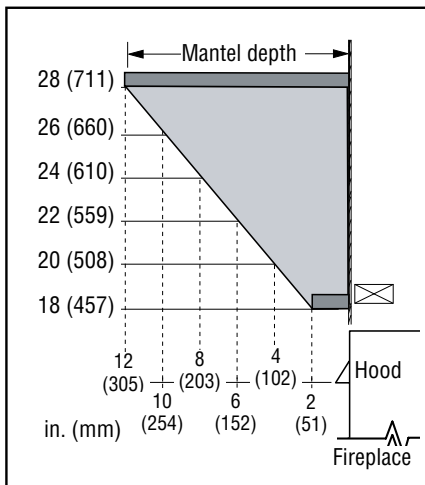


Figure 4A - Epsilon LX Series w/Accessory HeatFlo Kit Installed

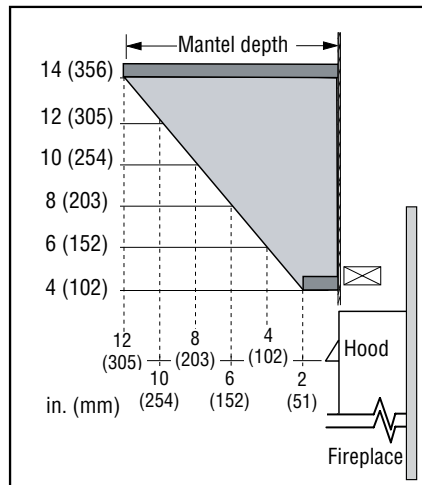
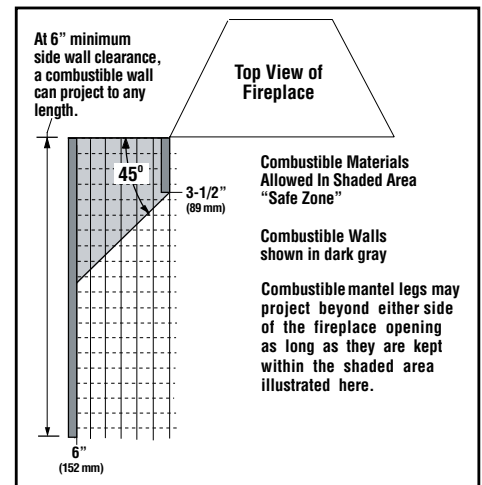


Figure 4B - Combustible Side Clearances



INSTALLATION PREPARATION

The fireplace is shipped with all gas controls and components installed and pre-wired. Before installing the fireplace, follow these steps:

1. Remove the shipping carton, and retain the front of the carton (used to protect the fireplace during construction).
2. Remove the shipping pad.

INSTALLATION SEQUENCE

The typical sequence of installation is outlined below; however, each installation is unique and may result in variations to the steps described.

See the pages referenced in the following steps for detailed instructions.

Check local codes for more restrictive installation. The more restrictive installation for clearances must be used.

Framing

1. **Construct the Fireplace Framing (Pages 17 and 18). NOTE: HeatFlo Kit installation will impact installation.**
2. **Prepare the Fireplace Top Spacers (Page 20).**
3. **Installing Non-Combustible Fireboard Standoff (Page 20).**
4. **Route the Gas Supply Line to the Fireplace (Page 20).**
5. **Rough in the Electrical Supply, if Needed (Page 21).**
6. **Place the Fireplace in the Framing and Secure (Page 21).**

Electrical Connection

7. **Complete the Field Wiring (Page 21).**

Gas Connection

8. **Connect the Gas Line (Page 24).**
9. **Verify Proper Fireplace Operation (Page 25).**
10. **Initialize the Remote Control System for the First Time (Page 25).**

Finishing

11. **Installation of the optional Porcelain Panels (Page 34, Step 3)**
12. **Install the Glass Media (Page 34).**
13. **Install Interior Options (Pages 35 and 36) - See Accessory Components Page 40, Follow Instructions Included with Optional Kits)**
14. **Adjust the Air Shutter to Ensure Proper Flame Appearance (Page 26).**
15. **Install the Hood (Page 28).**
16. **Installation/Re-Installation of the Required Screen Barrier Bezel Assembly (Page 28).**
17. **Installation / replacement of blower (Page 29). NOTE: Installation of blower is not allowed if accessory HeatFlo Kit is used.**

1. Construct the Fireplace Framing

1. Frame the fireplace as illustrated in **Tables 7, 8, and 9 Pages 17 and 18**. All framing details must allow for a minimum clearance to combustible framing members as shown in **Table 8, Page 17**.
2. If the fireplace is to be elevated above floor level, a solid continuous platform must be constructed below the fireplace.

NOTE: Headers may be in direct contact with the fireplace top standoff spacers when they are bent up vertically, maintaining the 4" clearance to the fireplace top, but must not be supported by them or notched to fit around them. All construction above the fireplace must be self-supporting. DO NOT use the fireplace for structural support.

Table 7 - Standard Framing Specifications

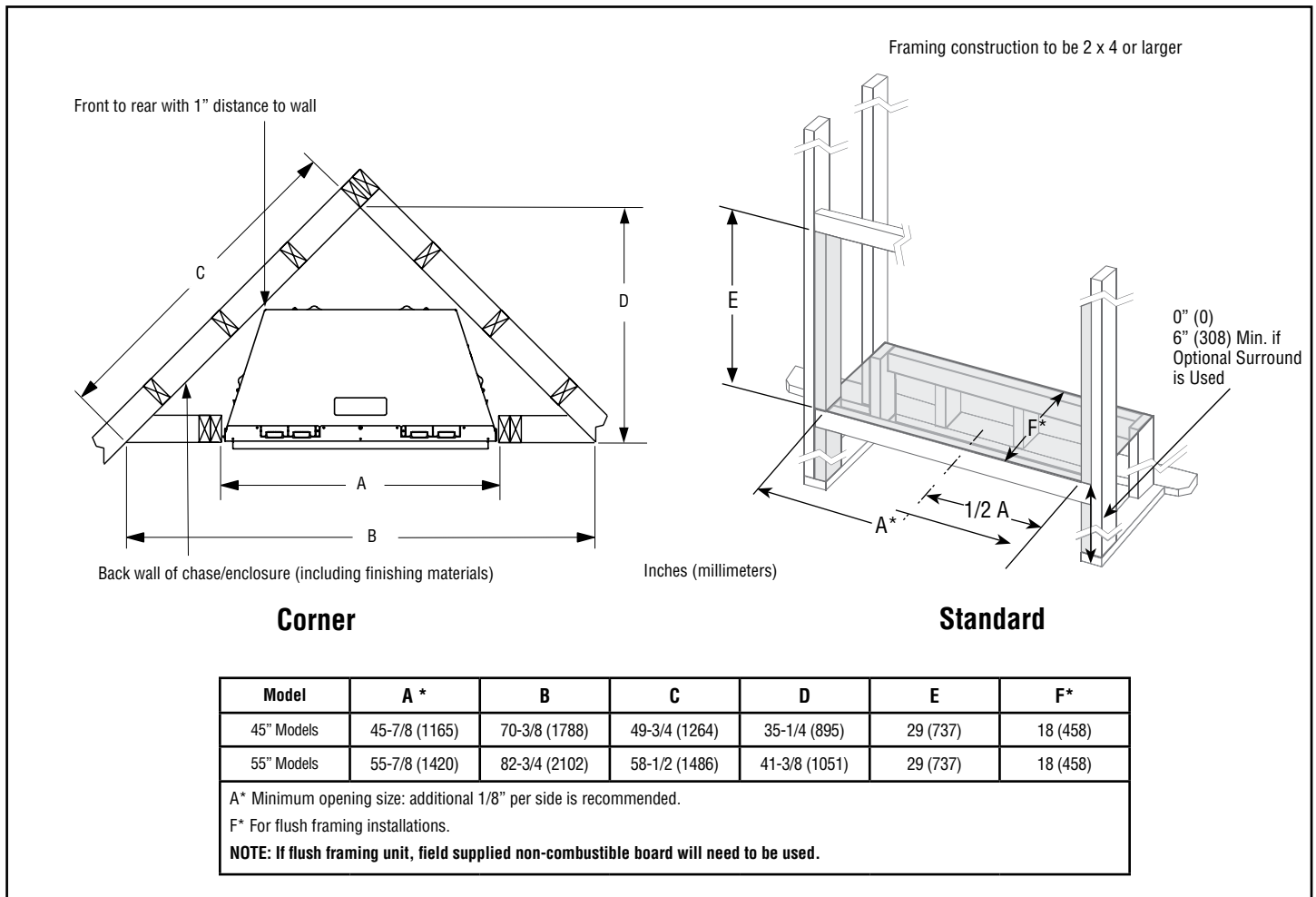
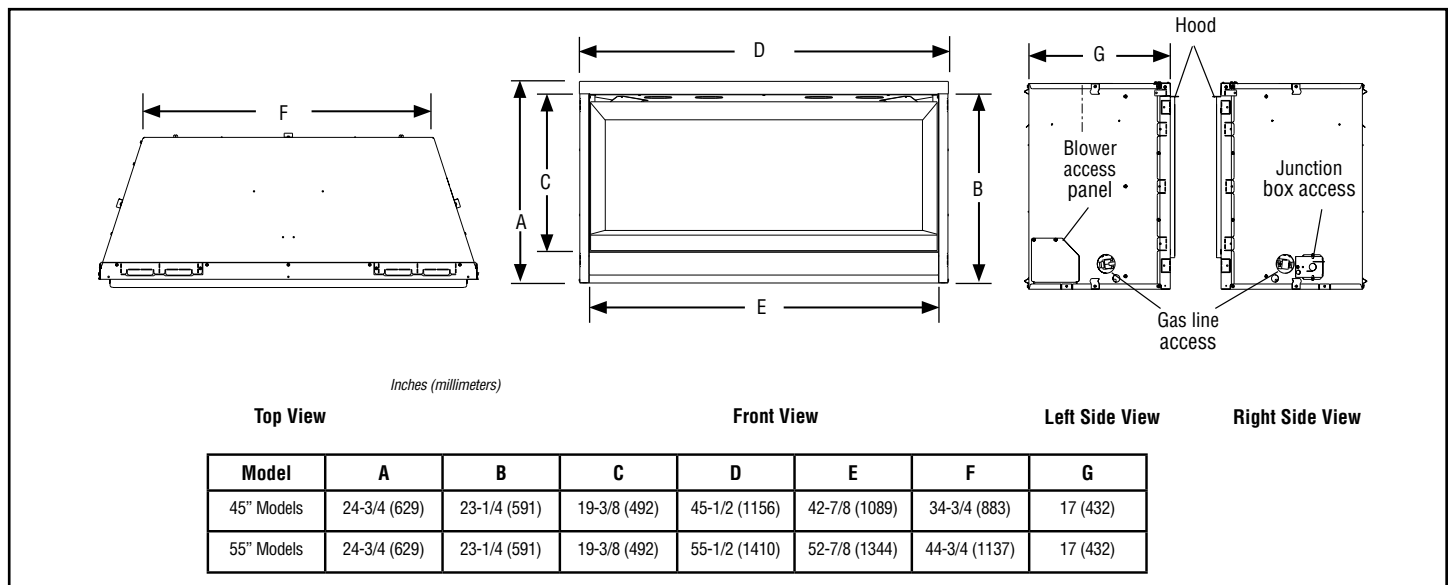
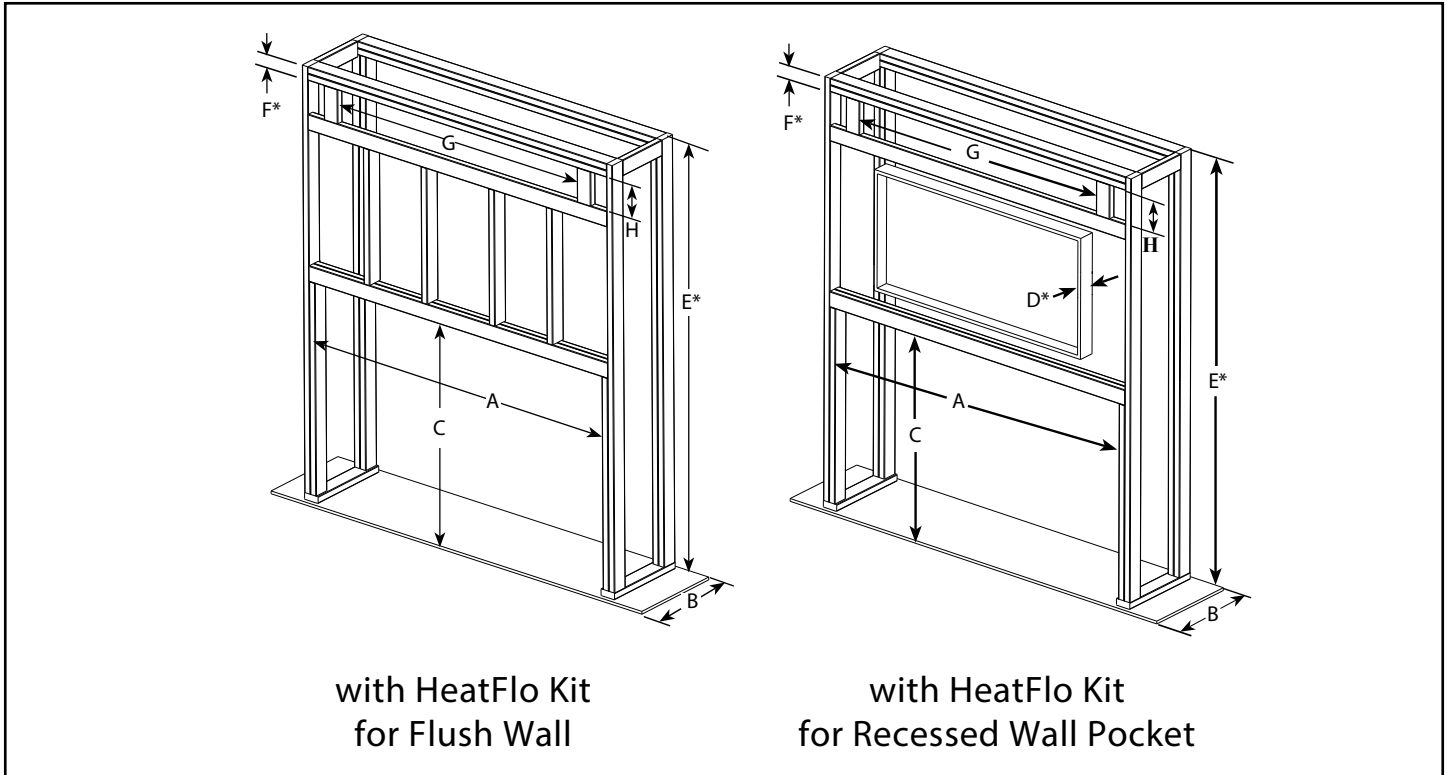


Table 8 - Fireplace Specifications



FRAMING AND FINISHING *Continued*

Table 9 - Fireplace Framing Dimensions For HeatFlo Installations - Flush Wall & Recessed Wall Pocket



with HeatFlo Kit
for Flush Wall

with HeatFlo Kit
for Recessed Wall Pocket

Framing Dimensions - Inches (millimeters)

	A	B	C	D*	E*	F*	G	H
45" Models	45-7/8 (1165)	18 (458)	29 (737)	3-1/2 (89)	81-1/2 (2070)	3-1/2 (89)	43-1/2 (1105)	5-1/8 (130)
55" Models	55-7/8 (1420)	18 (458)	29 (737)	3-1/2 (89)	81-1/2 (2070)	3-1/2 (89)	53-1/2 (1359)	5-1/8 (130)

D* Maximum allowable depth

E* Minimum height from appliance base to ceiling

F* Minimum distance from framed opening to ceiling

NOTE: Unit must be installed a minimum of 6" off floor if the optional surround is to be installed.

TVs should not be used in situations where the actual TV temperature exceeds the manufacturer's technical specification. Contact the TV manufacturer directly if you cannot locate this information or have questions regarding this information.

(A) TV Above fireplace Opening (Min.)	18" (457 mm)
(B) TV Below Vent Opening (Min.)	3" (77 mm)
(C) Vent Opening Below Ceiling (Min.)	6" (152 mm)

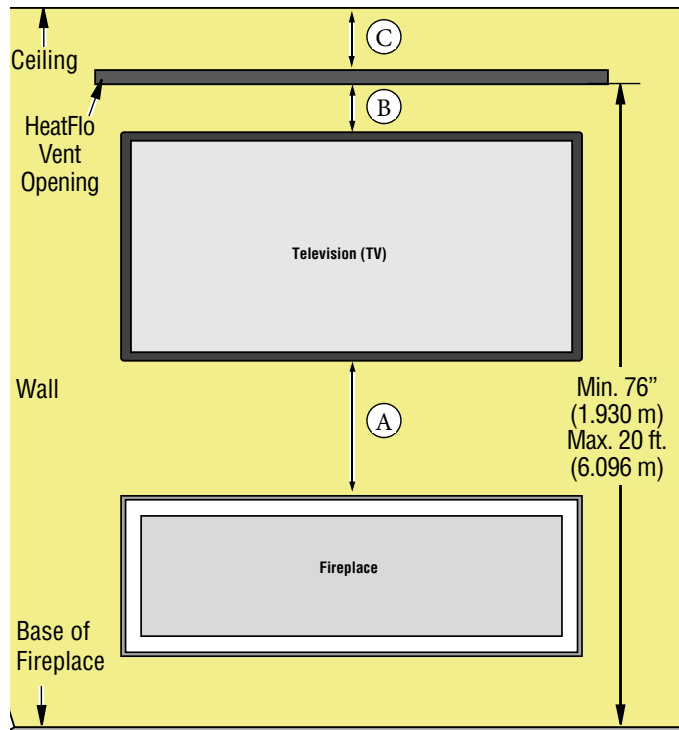


Figure 5 - Minimum Dimensions for Television (TV) Installed Above Fireplace (Flush Wall) when the optional HeatFlo Kit is installed.

(A) Pocket Above Fireplace Opening (Min.)	18" (457 mm)
(B) Pocket Below Fireplace Opening (Min.)	5-1/2" (140 mm)
(C) Vent Opening Below Ceiling (Min.)	6" (152 mm)
* NOTE: Maximum pocket depth is 3-1/2" (89 mm)	

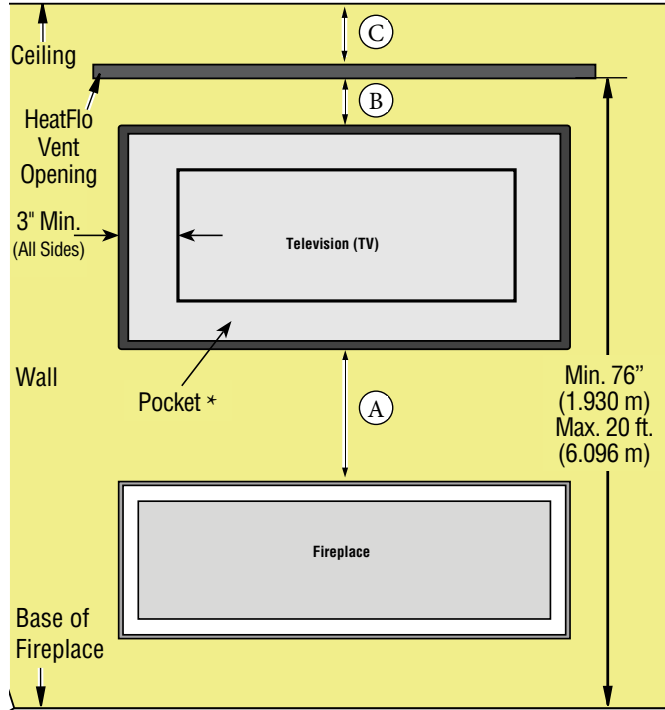


Figure 5A - Minimum Dimensions for Television (TV) Installed Above Fireplace on a Recessed Wall Pocket when the optional HeatFlo Kit is installed.

2. Prepare the Fireplace Top Spacers

1. The two (2) 4" standoff spacers on top of the fireplace cabinet are shipped flat. Remove the screw adjacent to the detached end (**Figure 6**).
2. Bend the standoffs as shown (**Figure 6A**).
3. Align the hole in the standoff with the hole in the fireplace top, and secure with the screw that was removed in Step 1 (**Figure 6A**).

Figure 6 - Unassembled standoff

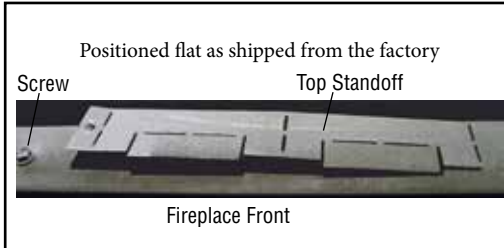
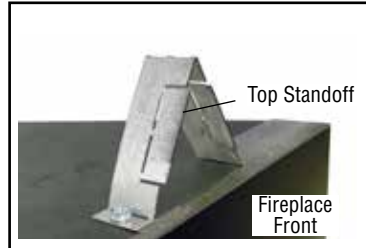


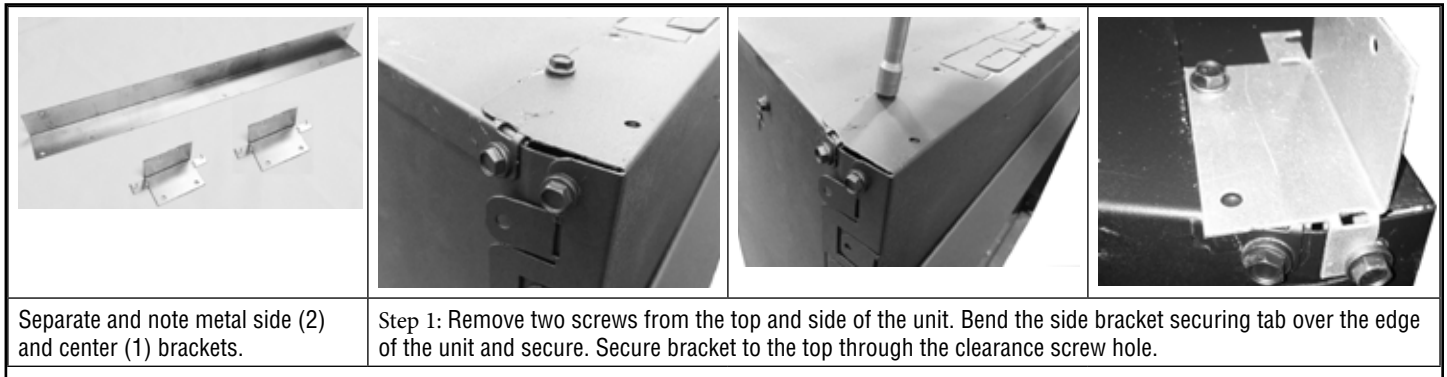
Figure 6A - Assembled standoffs



3. Installing Non-Combustible Front Fireboard Standoff

A non-combustible standoff board is provided with the fireplace to prevent overlap of drywall or other material of portions of the fireplace that may be prone to the buildup of heat. It is supported by a middle bracket and two side brackets. NOTE: Not used in flush framing situations. Field supplied non-combustible board (min. 9-5/8") will need to be installed and can be placed directly on the hood of the fireplace.

Figure 6B - Installing Non-Combustible Front Fireboard Standoff



4. Route the Gas Supply Line to the Fireplace

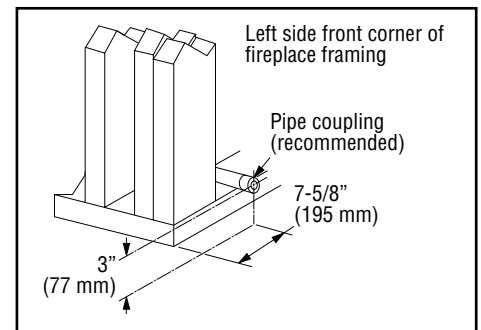
1. Route a 1/2" (13 mm) gas line to the left side of the fireplace (**Figure 7**).

NOTE: Gas lines must be routed, assembled, and made of materials that are in strict accordance with local codes and regulations. All fireplaces are factory-equipped with a flexible gas line connector and a 1/2" shutoff valve.

Proper Sizing of Gas Line

Properly size and route the gas supply line from the supply regulator to the area where the appliance is to be installed per requirements outlined in the National Fuel Gas Code, NFPA 54—latest edition (USA) or CAN/CGA-B149.1—latest edition (Canada).

Figure 7 - Routing the gas line - all models



The gas supply line should not be connected to the appliance until step 8. **Connect the Gas Line (Page 24)**.

NOTE:

- All fireplaces are factory-equipped with a flexible gas line connector and 1/2" shutoff valve.
- See **Massachusetts Horizontal Vent Requirements** for additional requirements for installations in the state of Massachusetts in the USA.
- A pipe joint compound rated for gas should be used on the threaded joints. Be very careful that the pipe compound does not get inside the pipe.
- A sediment trap in the supply line as close as possible to the fireplace is recommended (**see Figure 10, Page 24**).
- Check with the local building official for local code requirements (e.g., Are below grade penetrations of the gas line allowed?, etc).

5. Rough in the Electrical Supply, if Needed

As necessary, rough in the fireplace electrical supply per NEC and local codes.

6. Place the Fireplace in the Framing and Secure

NOTE: Nailing flanges, combustible members, and screw heads in areas directly adjacent to the nailing flanges are EXEMPT from the 1/2" clearance to combustible requirements for the firebox outer wrapper.

NOTE: Combustible framing may be in direct contact with the nailing flanges and may be located within 1/2" of screw heads and the firebox wrapper in areas adjacent to the nailing flanges.

Frame the opening to the exact dimensions specified in the framing details in this manual.

1. Bend out the appropriate nailing flanges for the drywall / finish material to be used. Nailing flanges are provided for:
 - flush, 1/2", and 5/8" mounting depths.
2. Secure the fireplace to the side framing members using the unit's nailing flanges—one top and bottom on each side of the fireplace front. Use 8d nails or the equivalent. Assure that the fireplace is square and verify that the bezel assembly is easily installed and removed. A fireplace that is out of square may result in difficulty installing and removing the bezel assembly.

7. Complete the Field Wiring

CAUTION

The ground supply lead must be connected to the wire attached to the green ground screw located on the outlet box (see wiring diagrams). Failure to do so will result in a potential safety hazard. The appliance must be electrically grounded in accordance with local codes or, in the absence of local codes, the National Electrical Code, ANSI/NFPA 70—latest edition (in Canada, the current CSA C22.1 Canadian Electrical Code).

CAUTION

Label all wires prior to disconnection when servicing controls. Wiring errors can cause improper and dangerous operation.

Verify proper operation after servicing.

The gas valve is set in place and pre-wired at the factory for the electronic models.

Electronic Wiring

Epsilon LX fireplace models are supplied with a full function remote control and a 15 foot long, 2-conductor wall switch wire for connection of an accessory or On/Off wall switch (provided by the installer). It is strongly recommended to install the On/Off switch on the wall adjacent to the fireplace to facilitate turning the fireplace on and off in the event the remote control is misplaced.

See the **Operation** section on **Pages 25 and 26** for more details.

NOTE: Electronic models must be connected to the main power supply.

1. Route a 3-wire, 120 Vac, 60 Hz, 1 ph power supply to the fireplace junction box.
2. Remove the electrical inlet cover plate from the side of the unit by removing the plate's securing screws (**Table 8, Page 17**).
3. If unit is not supplied with a strain relief, remove the cover plate knockout. Then, feed the power supply wire through the knockout opening and into the unit junction box.
4. Connect the black power supply wire to the lower outlet's red pigtail lead (**Figure 8, Pages 22**). Connect the white power supply wire to the outlet's common terminal.
5. Connect the ground supply wire to the pigtail lead attached to the outlet's green ground screw. Restrain the inlet power lead per NEC or local codes.

Electronic Wiring - Cont.

6. If adding a wall switch, wall thermostat or other optional accessory, mount it in a convenient location on the wall near the fireplace and connect to the 2-Conductor wire that is supplied with this fireplace. To connect the 2-Conductor wire, locate the ON/OFF switch (see **Figure 21** on **Page 31**) in the control compartment of the fireplace. Disconnect the two brown wires from the rear of the switch and connect these two wires to the 2-Conductor wire.

NOTE: If operation of the low/high feature is desired, the purchase of an additional wire will be necessary (H4747). This additional wire will connect to the blue low/high wires on the main wiring harness that are currently connected to the installed low/high switch (see **Figure 21** on **Page 31**).

7. After the wiring is complete, replace the cover plate.

Figure 8 - Wiring Diagram—Junction Box

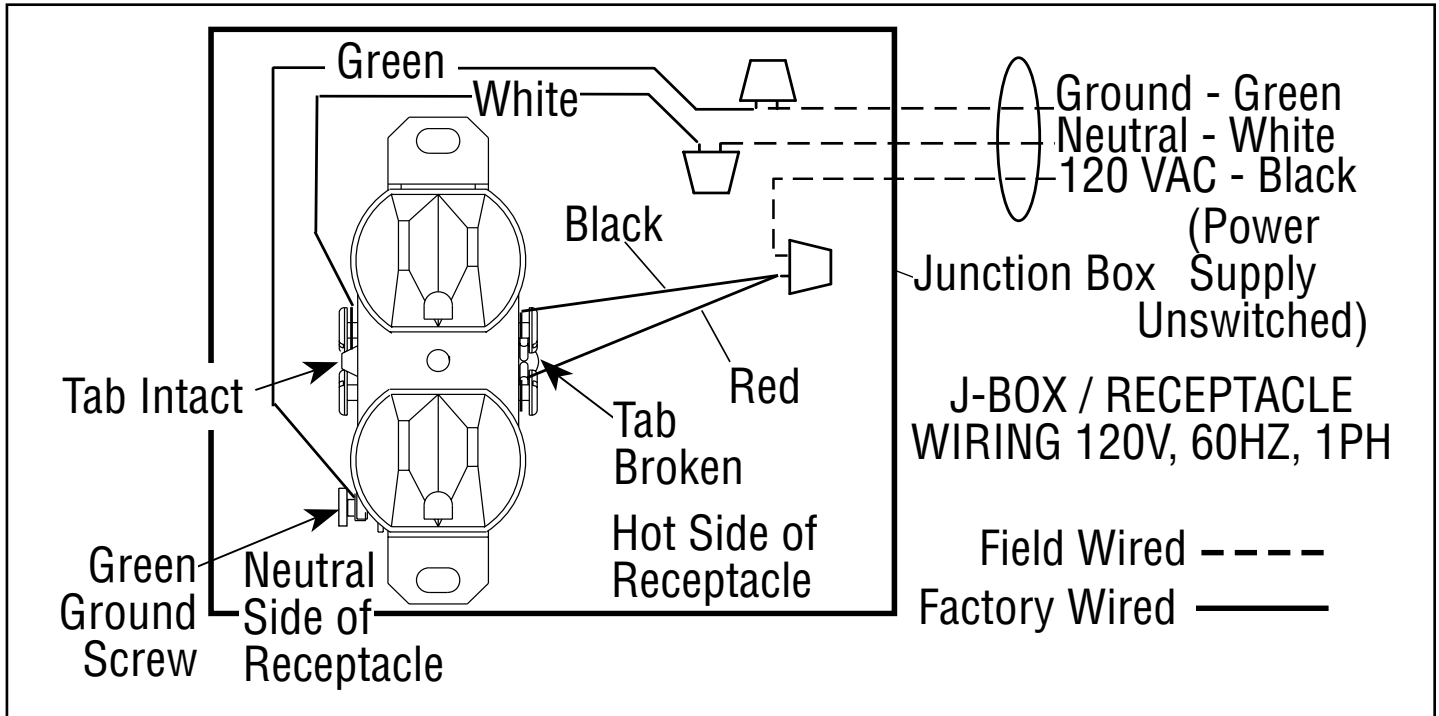
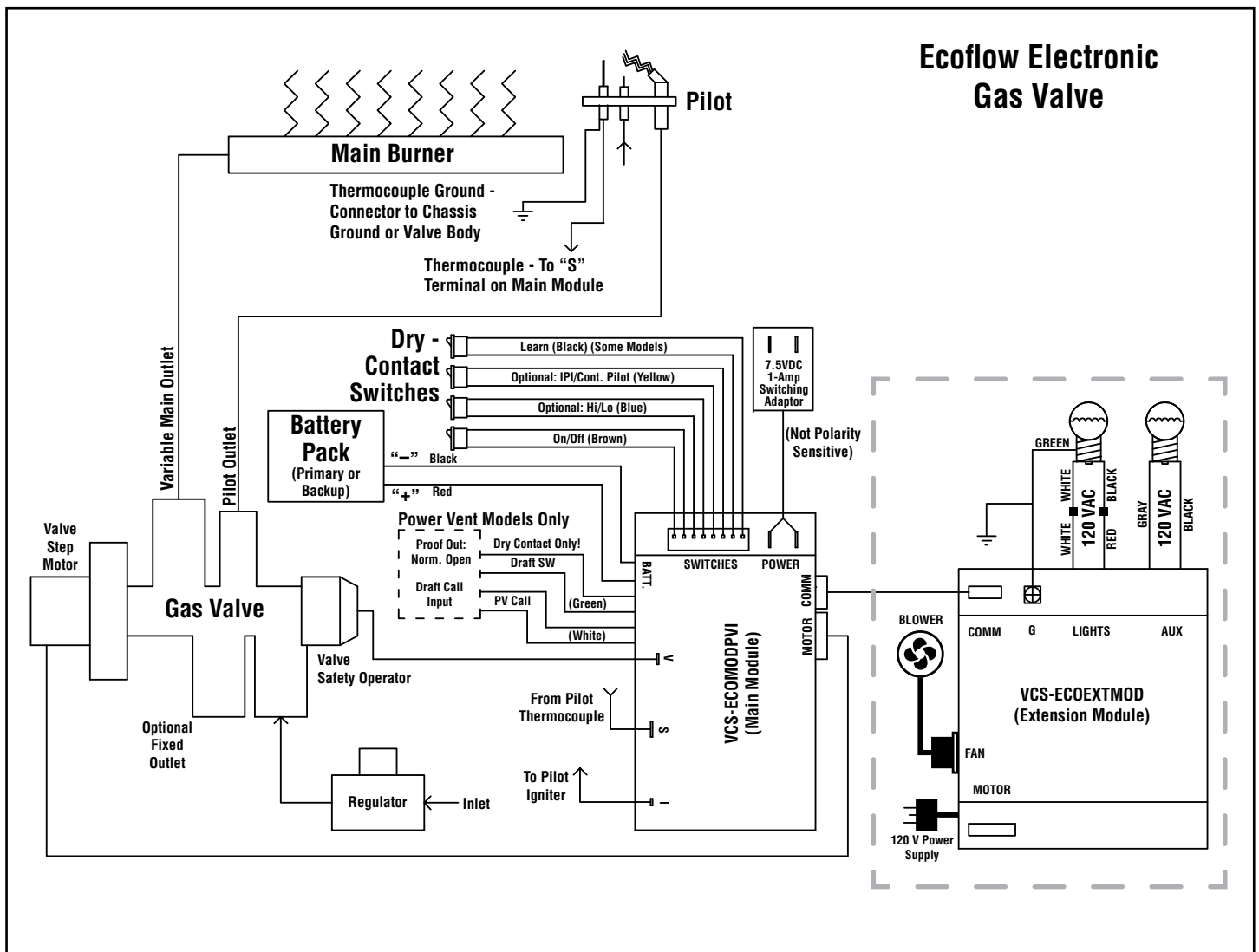


Figure 9 - Wiring Diagram—Epsilon LX models



⚠ WARNING

Electronic models of these appliances are equipped with a three-prong (grounding) plug utilized in connecting the electronic components to the junction box in the lower compartment. This grounding plug provides protection against shock hazard and should be plugged directly into a properly grounded three-prong receptacle. **DO NOT** cut or remove the grounding prong from the plug.

8. Connect the Gas Line

All codes require a shutoff valve mounted in the supply line. **Figure 11** illustrates two methods for connecting the gas supply. The flex-line method is acceptable in the U.S., however, Canadian requirements vary depending on locality. Installation must be in compliance with local codes. Install the gas shutoff valve in the gas supply line prior to its entry to the fireplace where it is easily accessible.

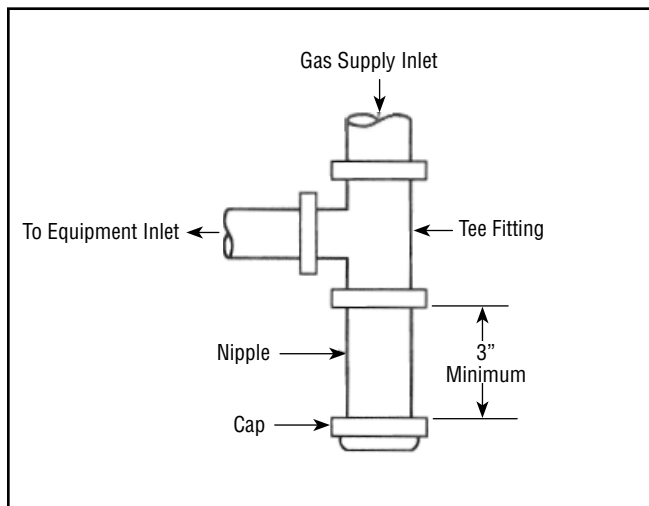
NOTE: A sediment trap is recommended in the gas piping (see **Figure 10**) within the home to prevent moisture and debris in the line from damaging the valve.

NOTE: Secure all joints tightly using appropriate tools and sealing compounds (ensure propane resistant compounds are used in propane applications). Seal around the gas line to prevent cold air leakage. Gas line holes and other openings can be caulked or stuffed with unfaced fiberglass insulation.

These fireplaces are equipped with a gas flex line for use (where permitted) in connecting the unit to the gas line. A gas flex line is provided to aid in attaching the fireplace to the gas supply. The gas flex line can only be used where local codes permit. The flex line is rated for both natural and propane gas. A manual shut off valve is also provided with the flex line.

The gas control valve is located in the lower control compartment.

Figure 10 - Sediment Trap



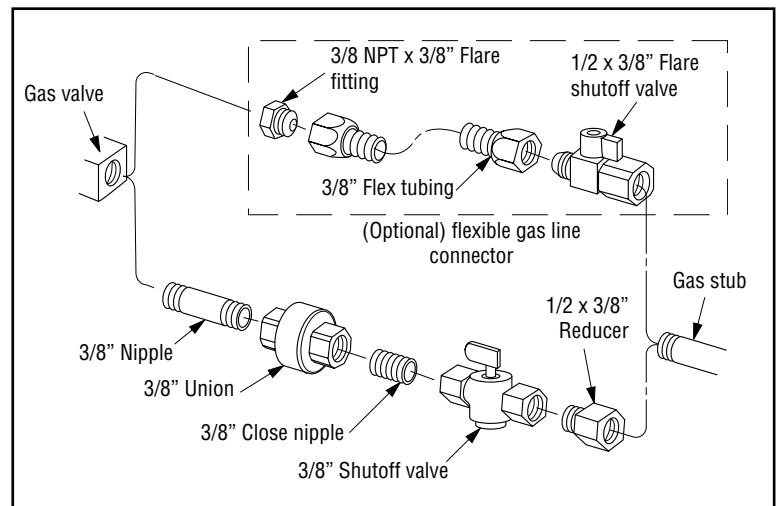
Access the Control Compartment

See **Page 31** for instructions on **Accessing the Control Compartment**.

Secure all joints tightly using appropriate tools and sealing compounds. Optionally, seal around the gas line to prevent cold air leakage. Gas line holes and other openings can be caulked or stuffed with unfaced fiberglass insulation.

All codes require a shutoff valve mounted in the supply line. The orientation of the shutoff valve should face the front. **Figure 11** illustrates two methods for connecting the gas supply. A sediment trap is recommended to prevent moisture and debris in the gas line from damaging the valve (see **Figure 10**).

Figure 11 - Gas Line Connection



Test Factory and Field Connections for Gas Leaks



WARNING

Never use an open flame to check for leaks.

Turn on gas supply and test for gas leaks, using a gas leak test solution—also known as bubble leak solution.

NOTE: Using a soapy water solution is an effective leak test solution but it is not recommended, because the soap residue that is left on the pipes/fittings can result in corrosion over time.

1. Light the fireplace (refer to the lighting instructions label in the control compartment or **Page 41**).
2. Brush all joints and connections with the gas leak test solution to check for leaks. If bubbles are formed, or gas odor is detected, turn the receiver or remote control to the OFF position (electronic units). Either tighten or refasten the leaking connection, and then retest as described above.
3. When the gas lines are tested and leak free, rinse off the leak testing solution.

9. Verify Proper Fireplace Operation

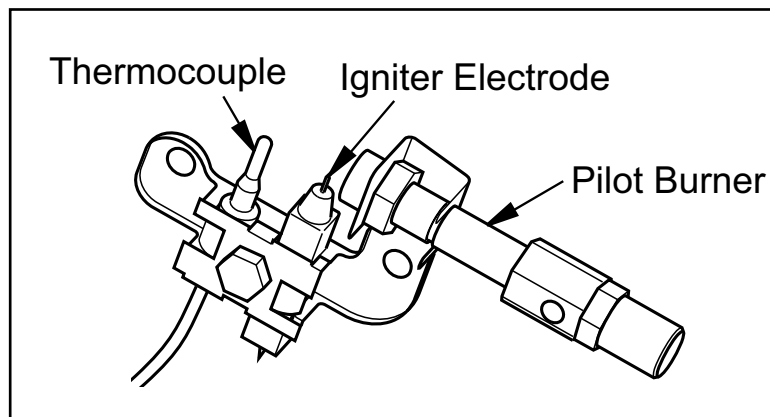
1. With the gas line installed, inspect the system before closing the front of the unit.
2. Follow the pilot lighting instructions:
 - Electronic Systems (**Page 41**)

NOTE: When lighting the fireplace for the first time, it will take a few minutes for the gas line to purge itself of air. When purged, the pilot and burner will light and operate as indicated. Subsequent lighting of the fireplace will not require purging. Inspect the pilot flame (carefully remove glass media when cooled completely if necessary).

Electronic Fireplace Inspection

To light the burner, turn ON the unit installed switch or remote control. Ensure the igniter lights the pilot. The pilot flame should engulf the thermocouple.

Figure 12 - Pilot (Natural)



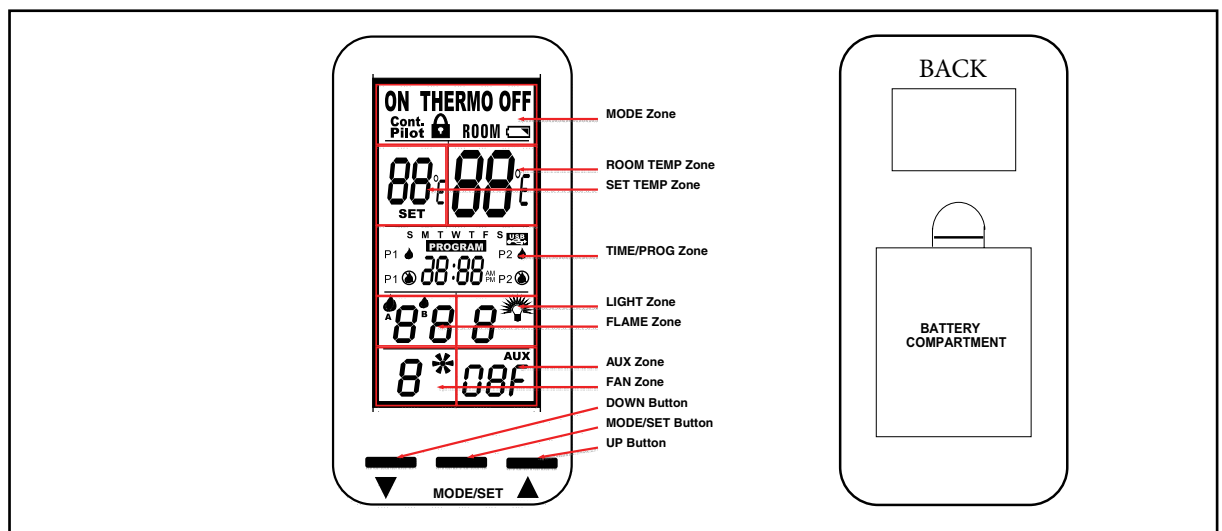
10. Initialize the Remote Control System for the First Time

- W1.** Install the four (4) AAA batteries.

NOTE: Check the polarity (+/-) of the batteries and insert them into the battery bay as indicated on the battery cover.

NOTE: See Operation Instructions provided with the remote control.

Figure 13 - Remote Control



THERMOSTAT OFF LCD Displays:

- MODE Zone: THERMO and OFF is displayed
- ROOM TEMP Zone: Measured temperature is displayed
- SET TEMP Zone: SET TEMP is displayed
- LIGHT Zone: LIGHT and light setting level is displayed
- FAN Zone: Blank
- TIME/PROG Zone: Current day indicator and current time is displayed
- AUX Zone: AUX and AUX setting is displayed
- FLAME Zone: Blank

THERMOSTAT ON LCD Displays:

- MODE Zone: THERMO and ON are displayed
- ROOM TEMP Zone: Measured temperature is displayed
- SET TEMP Zone: SET TEMP is displayed
- LIGHT Zone: LIGHT and light setting level is displayed
- FAN Zone: FAN and fan setting level is displayed
- TIME/PROG Zone: Current day indicator and current time is displayed
- AUX Zone: AUX and AUX setting is displayed
- FLAME Zone: A Flame Icon and flame setting level number is displayed

Program OFF LCD Displays:

- MODE Zone: OFF
- ROOM TEMP Zone: Measured temperature is displayed
- SET TEMP Zone: Blank
- LIGHT Zone: LIGHT and light setting level is displayed
- FAN Zone: Blank
- TIME/PROG Zone: Current day indicator, current time, and Program status (P1-OFF or P2-OFF) is displayed
- AUX Zone: AUX and AUX setting is displayed
- FLAME Zone: Blank

Program ON LCD Displays:

- MODE Zone: THERMO and either ON or OFF is displayed
- ROOM TEMP Zone: Measured temperature is displayed
- SET TEMP Zone: SET TEMP is displayed
- LIGHT Zone: LIGHT and light setting level is displayed
- FAN Zone:
 - If Thermostat is ON, FAN and fan setting number is displayed
 - If Thermostat is OFF, display is blank.
- TIME/PROG Zone: Current day indicator, current time, and Program status (P1-ON or WP2-ON) is displayed
- AUX Zone: AUX and AUX setting is displayed
- FLAME Zone:
 - If Thermostat is ON, A Flame Icon and flame setting level number is displayed.
 - If Thermostat is OFF, display is blank.

11. Install the Glass Media

1. See **Page 34** for instructions on Installing the Glass Media.

12. Install Interior Options - See Accessory Components, Page 40 (follow instructions included with optional accessories)

13. Adjust the Air Shutter to Ensure Proper Flame Appearance (LP Models do not have an adjustable air shutter)

WARNING

- **Air shutter adjustment should only be performed by a qualified professional service technician.**

! CAUTION

- Soot will be produced if the air shutter is closed too much. Any damage due to sooting, resulting from improperly setting the air shutter, is not covered under the warranty.
- The air shutter rod and nearby appliance surfaces are hot. Exercise caution to avoid injury while adjusting flame appearance.

Flame Appearance and Sooting

The flame should be blue at the base, and yellow-orange in the body of the flame.

When the fireplace is first lit, the entire flame may be blue and will gradually turn yellow-orange during the first 5 minutes of operation. If the flame remains blue, or if the flame is orange with evidence of sooting (black tip), the air shutter opening may need to be adjusted.

If the air shutter opening is closed too far, sooting may develop. Sooting is indicated by black puffs developing at the tips of very long orange flames. Sooting results in black deposits forming on the glass media, and surfaces inside fireplace.

Sooting is caused by incomplete combustion in the flames and lack of combustion air entering the air shutter opening. To achieve a warm yellow-orange flame with an orange body that does not soot, the shutter opening must be adjusted between these two extremes.

Air Shutter Adjustment Guidelines

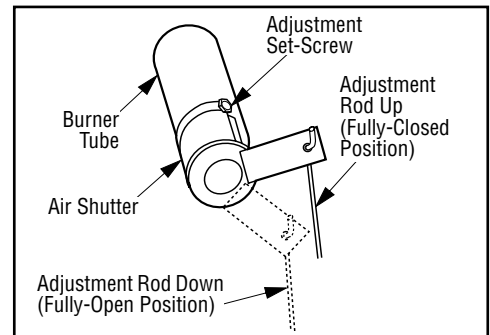
- A fireplace operated with the air shutter opened too far may have flames that appear blue and transparent. These weak, blue, and transparent flames are termed anemic.
- If the flames candle or appear stringy, adjust the air shutter to a more OPEN position by pulling the air shutter rod down, then operate the fireplace for a few more minutes to ensure that the flame normalizes and the flames do not appear sooty. The following chart is provided to help achieve the correct air shutter adjustment for your installation.

Table 10 - Air Shutter Adjustment Guidelines

Amount of Primary Air	Flame Color	Air Shutter Adjustment
If air shutter is closed too far →	Flame will be orange →	Air shutter gap should be increased
If air shutter is open too far →	Flame will be blue →	Air shutter gap should be decreased

NOTE: LP Models do not have an adjustable air shutter.

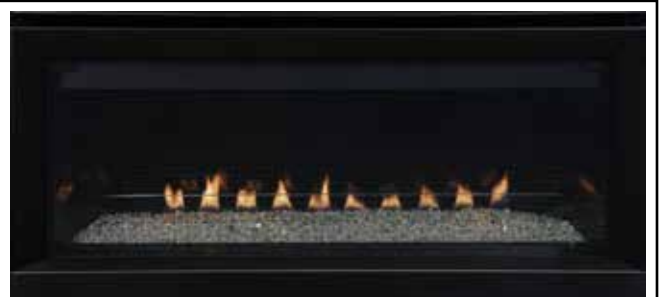
Figure 14 - Air Shutter Adjustment Rod



1. Move the adjustment rod down to increase air flow and up to decrease it. The rod is located in the lower control compartment. NOTE: LP models will not have a control rod.
2. Light the fireplace. Follow the lighting procedure on the lighting label in the control compartment or **Page 41**.
3. Allow the burner to operate for at least five (5) minutes while observing the flame continuously to ensure that the proper flame appearance is achieved (**Figure 15**). If the following conditions are present, adjust accordingly.
 - If flame appears sooty, adjust the air shutter, incrementally, to a more open position until the proper flame appearance is achieved.
 - If flame remains blue, adjust the air shutter, incrementally, to a more closed position until the proper flame appearance is achieved.
4. When satisfied that the burner flame appearance is normal. Turn fireplace to the off position, and reinstall the Barrier/ Bezel assembly, then proceed to finish the installation.

Figure 15 - Burner Flame Appearance

**Epsilon LX Series
(45" Model Shown)**



14. Install the Hood after fireplace is cool

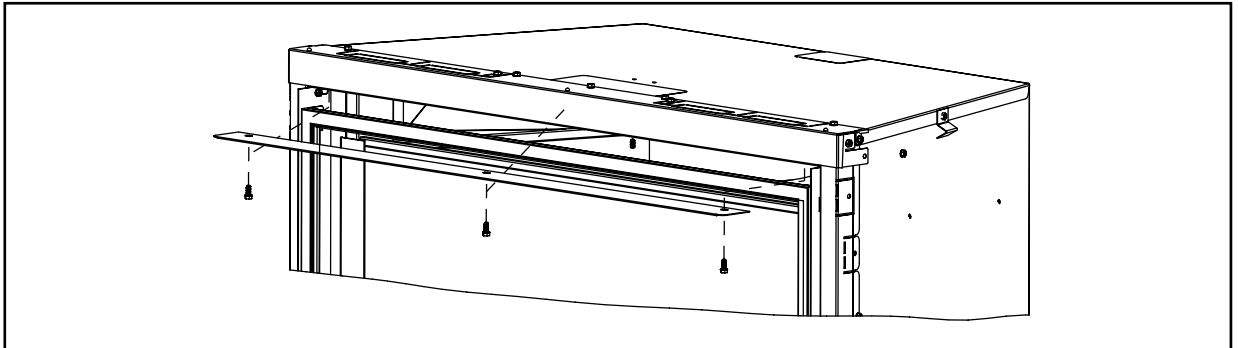
NOTE: All models must have a hood installed prior to operation.

NOTE: Hood is slotted and has some adjustment. It is suggested that the center screw should be installed first and the ends last.

1. Attach hood using provided screws as shown here (**Figure 16**).

NOTE: If hood bows during operation it is suggested to loosen all hood attachment screws one complete turn to allow hood to flex.

Figure 16 - Hood Installation (if optional HeatFlo Kit is installed, a separate angled hood must be used).



15. Installation / Re-installation of the required screen barrier bezel assembly

NOTE: All models must have a barrier installed prior to operation.

- Step 1. Slide bezel barrier assembly down provided brackets until they come to rest at the bottom (**Figure 17**).

Figure 17 - Bezel Installation



- Step 2. Tilt bezel barrier assembly until it makes contact with magnets (**Figure 18**).

Figure 18 - Magnet View



16. Installation / replacement of blower.

NOTE: Follow blower installation instructions (included with blower). See **Page 40** for ordering information.

CAUTION

Wear cut resistant gloves and protective clothing during this process.

A. If unit is not installed: locate the access panel of left hand side of unit and remove (2 screws) or remove the barrier bezel assembly and remove the front lower access panel (2 screws).

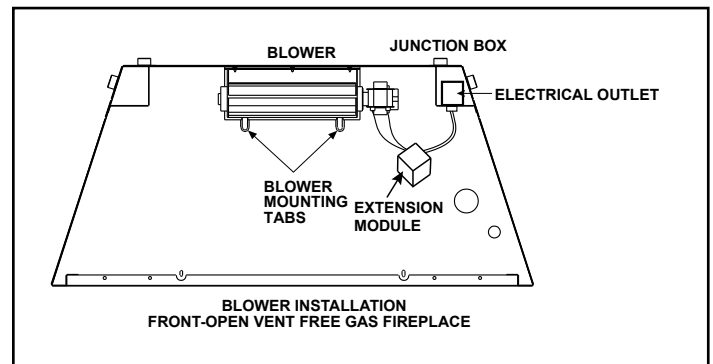
B. If unit is installed with finishing material that do not allow for front lower access panel to be removed, follow steps below after unit is completely cooled.

1. Remove screen barrier bezel assembly.
2. Remove all media and perforated glass media tray.
3. Remove burner (one screw) and pilot.
4. Remove pan that is inset into floor and gas tubing as required.
5. Blower access is now possible.
6. Once complete, reassemble unit using the reverse of the steps above.

C. Install Blower

Slide the blower assembly through the front / or side opening to the middle rear area of the cabinet base. Position the blower assembly so the tabs in the cabinet base are seated in the notches of the blower bracket. Then bend the tabs over to secure the blower assembly (**Figure 19**).

Figure 19 - Blower Installation



WARNING

The blower cannot be used if accessory HeatFlo Kit is installed.

OPERATION

WARNING

Young children should be carefully supervised when they are in the same room as the appliance. Toddlers, young children and others may be susceptible to accidental contact burns. A physical barrier is recommended if there are at risk individuals in the house. To restrict access to a fireplace or stove, install an adjustable safety gate to keep toddlers, young children and other at risk individuals out of the room and away from hot surfaces.

WARNING

Reinstall any barrier removed before operating the fireplace. The barrier is designed to reduce the risk of burns from hot glass. Do not operate the fireplace without the barrier installed.

CARBON MONOXIDE POISONING: Early signs of carbon monoxide poisoning are similar to the flu with headaches, dizziness and/or nausea. If you have these signs, obtain fresh air immediately. Turn off the gas supply to the appliance and have it serviced by a qualified professional, as it may not be operating correctly. Some people are more affected by carbon monoxide than others, including pregnant women, people with heart or lung disease or anemia, those under the influence of alcohol, and those at high altitudes.

NOTE: Do not place furniture or other combustible materials within 36" of the front of viewing area(s).

NOTE: Children and adults should be alerted to the hazards of high surface temperature and should stay away to avoid burns or clothing ignition.

NOTE: Installation and repair should be done by a qualified service person. The fireplace should be inspected before use and at least annually by a professional service person. More frequent cleaning may be required due to excessive lint from carpeting, bedding material, etcetera. It is imperative that control compartments, burners and circulating air passageways of the fireplace be kept clean.

NOTE: Do not use these fireplaces if any part has been under water. Immediately call a qualified, professional service technician to inspect the fireplace and to replace any parts of the control system and any gas control which have been under water.

Burn-in Period

The first few times this fireplace is operated, there will be an odor from the curing of paint and the burning off of the lubricants used in the manufacturing process. Depending on usage, the burn-in period may take a few hours or a few days.

NOTE: Ventilate the site during the burn-in period. The resulting odor and haze may set off a smoke detector. Do not operate the blower during the burn-in period.

Accessing the Control Compartment

1. Turn fireplace off and let cool completely.
2. Remove screen barrier bezel assembly, by gently pulling the top to release magnets and lifting up for access to the control compartment.

NOTE: If accessory surround is installed, it and the lower access panel may be removed for more access if access panel is not covered by facing material.

Electronic Fireplaces

Detailed lighting instructions are found on **Page 41**. Also, electronic fireplace lighting instructions are found on the pull-out lighting instructions attached to the gas control valve.

If the electronic fireplace is equipped with a remote wall switch or remote control, the fireplace main burner can be turned ON/OFF with the wall switch or remote control.

To light the fireplace in a power outage:

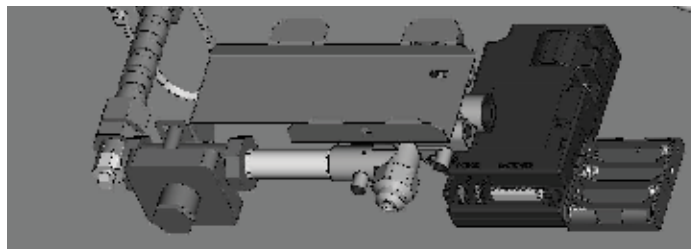
1. Confirm that batteries are installed in the remote control battery bay and battery holder in the control compartment.
2. Set the unit-mounted switch, or remote control is set to the ON Position.
3. The unit should spark at the pilot and light.
NOTE: If there is no spark, replace the batteries.
4. Operate the fireplace normally.

Installing the Backup Batteries

With a battery backup, electronic fireplaces can automatically switch to battery power. In the event of a power outage, this allows ON/OFF operation (without blower or lights functionality). Install new batteries before every burn season.

1. Remove the screen barrier bezel assembly and locate the battery holder.
2. Install four (4) AA batteries in the battery holder.
3. Re-install the screen barrier bezel assembly.

Some parts have been removed for clarity



Battery Holder

Figure 20 - Battery Holder (in control compartment)



Learn Switch pairs remote with module

IPI Switch is for continuous pilot or standing pilot

Hi-Low Switch controls the main burner flame height

ON/OFF Switch controls the main burner

Figure 21 - Switches (in control compartment)

Continuous Pilot Ignition Switch

Fireplaces with an electronic gas valve have a continuous pilot ignition (CPI) controlled by the remote. This switch allows the pilot to be switched from intermittent mode to continuous mode:

- Intermittent Mode—The pilot is extinguished when the fireplace is OFF.
- Continuous Mode—The pilot stays ON when the fireplace is OFF.
- To save energy—switch to intermittent mode.
- For a standing pilot switch to continuous mode.

NOTE: Continuous mode is indicated by a pilot that comes ON and remains lit when the fireplace is OFF.

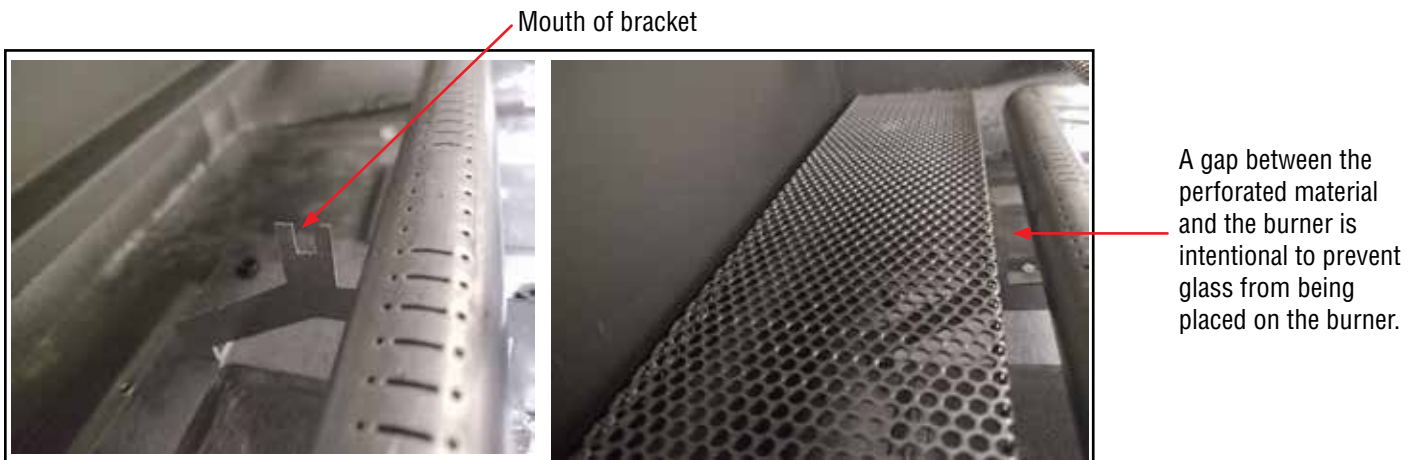
Install the Glass Media

WARNING

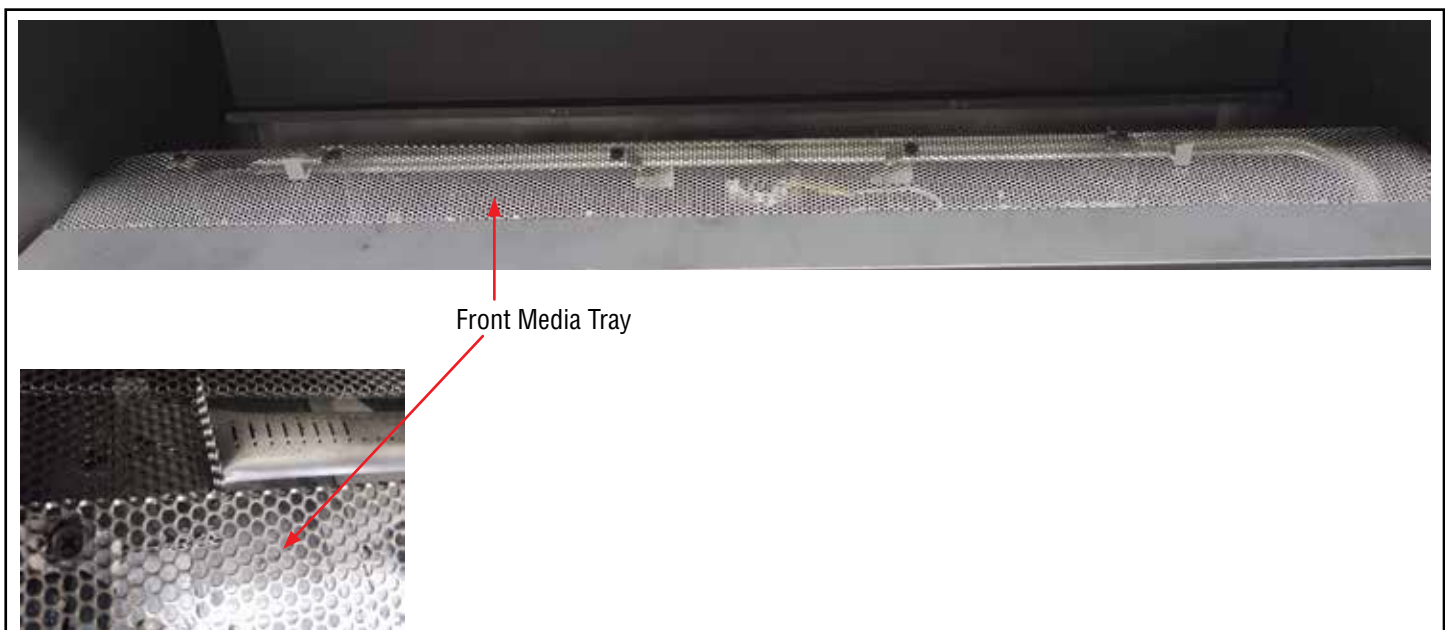
- Turn OFF all gas and electricity to the appliance before installing the glass media.
- Do NOT install the glass media until the appliance has been completely installed, the gas line connected and tested for leaks, and the initial burner operation has been confirmed.
- Use of an unapproved media in the fireplace will void the warranty and will result in incomplete combustion, sooting, and poor flame quality.
- Glass media will get very hot and remain hot for up to one hour after the gas supply is turned OFF. Handle the glass media only when cool.
- This appliance is not designed to burn wood. Any attempt to do so could cause irreparable damage to appliance and prove hazardous.
- If the glass media is not installed according to these instructions, improper combustion could occur. This could result in the excessive production of soot and/or the colorless, odorless, toxic gas carbon monoxide (CO).

NOTE: It is important to ensure proper glass placement per the manual when installing these units. Verify pilot flame is not obstructed. See *Verifying Appliance Operation* on *Page 27*.

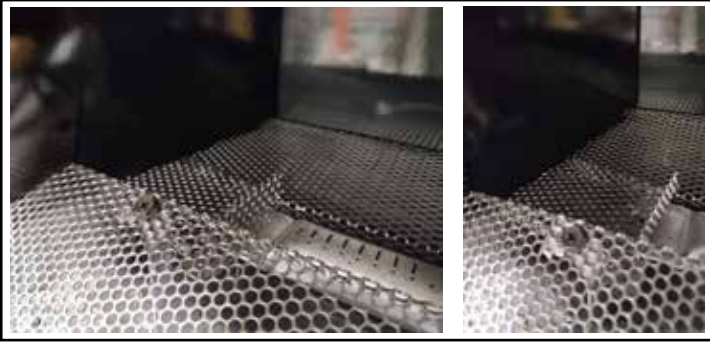
Step 1. This fireplace comes with a two-piece media floor that requires installation in the field. Place the rear panel by sitting it directly on the shelf in the rear of the box. This panel will set in the “mouth” of the brackets (see below).



Step 2. Place front media floor as seen below. It should hook over burner brackets and sit on tabs on front of metal cover.



Step 3. If porcelain panels are not to be installed, skip to Step 4. The front media tray has bend down tabs that allow the porcelain panels to pass beside the front tray. This will need to be bent down prior to installing panels. Place rear porcelain panel on top of the perforated media floor in the rear of the unit. While holding the rear panel in position, place the left side panel and use brackets provided with kit to secure. Then, place the right panel and secure with provided brackets.



Step 4. Install provided glass brackets and glass leaving equal gaps on both sides. Glass bracket will wrap around the front media floor piece and bend to hold in place.



Step 5. Install glass media on entire perforated media floor. **WARNING!!! No glass should be placed on burner!**
NOTE: 55" Models will use entire 5 lb. bag. 45" Models will only use 4 lb. of glass media.



Driftwood Log Setups

45"



Step 1. Place logs 1 & 2 on rear media floor and lean up against the rear of firebox (as shown below). Gently work the logs down into the glass media or remove media where the logs sit on metal floor and place media around logs.



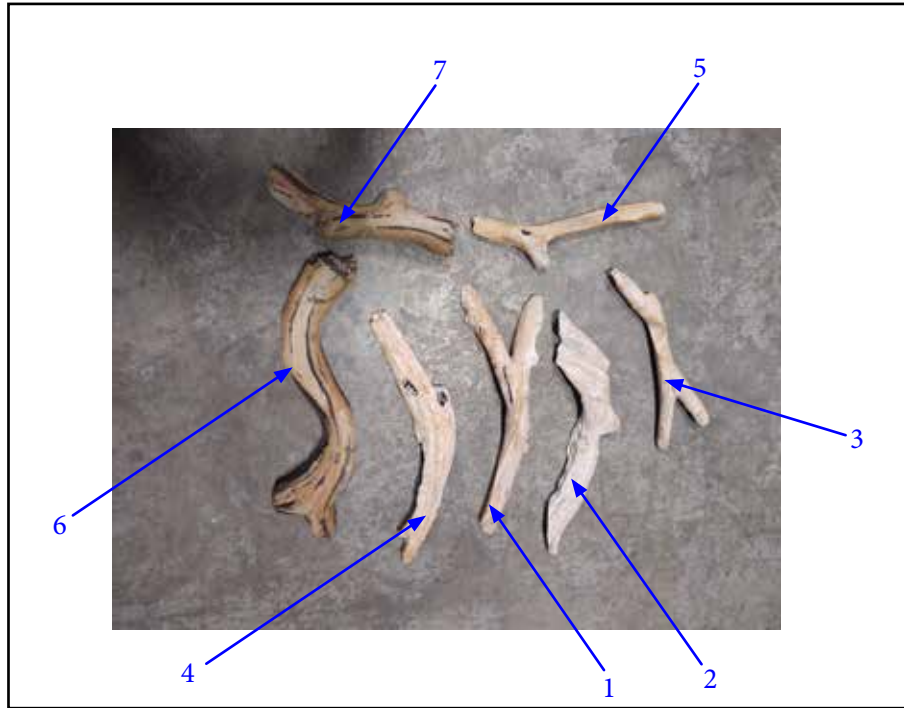
Step 2. Place three logs as shown below.



Step 3. If using the accessory rock kit, place rocks around logs on glass media. If no logs are used, place rocks on glass media in a preferred pattern. **WARNING! DO NOT PLACE LOGS OR ROCKS ON OR NEAR BURNER FLAMES. NO LOGS OR ROCKS SHOULD HAVE FLAME IMPINGEMENT AS THIS WILL CAUSE SOOTING TO OCCUR.**

Driftwood Log Setups - Continued

55"



Step 1. Place logs 1, 2 & 3 on rear media floor and lean up against the rear of firebox (as shown below). Gently work the logs down into the glass media or remove media where the logs sit on metal floor and place media around logs.



Step 2. Place front three logs as shown below.



Step 3. If using the accessory rock kit, place rocks around logs on glass media. If no logs are used, place rocks on glass media in a preferred pattern. **WARNING! DO NOT PLACE LOGS OR ROCKS ON OR NEAR BURNER FLAMES. NO LOGS OR ROCKS SHOULD HAVE FLAME IMPINGEMENT AS THIS WILL CAUSE SOOTING TO OCCUR.**

! WARNING

A barrier designed to reduce the risk of burns is provided with this appliance and shall be installed.

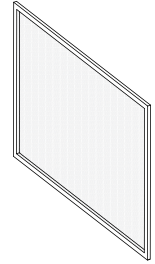
Figure 22 - Barrier

NOTICE: All Epsilon LX series fireplaces require a barrier to reduce the risk of burns. The screen barrier bezel assembly must be installed prior to operation.

Replacement barrier bezel assembly catalog numbers are shown here.

45" - Cat. No. F4723

55" - CAT No. F4724



CLEANING AND MAINTENANCE

Refer to the Maintenance Schedule on **Page 39** for maintenance tasks, procedures, frequency, and a listing of by whom the tasks should be performed. Always verify proper fireplace operation after servicing.

! WARNING

Turn OFF gas and electrical power to the fireplace and allow it to cool before cleaning or servicing the appliance.

! CAUTION

Wear gloves and safety glasses for protection while doing required maintenance.

Verify proper operation after servicing.

Always turn OFF gas before cleaning. Before relighting, refer to the lighting instructions in this manual. Instructions are also found on a pull-out panel located in the control compartment.

Always keep the appliance area clear and free from combustible materials, gasoline and other flammable liquids.

Inspecting the burner flame appearance

Periodically inspect the burner and pilot flame. Ensure that the burner flame appearance resembles the flame shown in **Figure 15** on **Page 27** and as described in Flame Appearance and Sooting on **Page 27**. Any necessary burner flame adjustments must be performed by qualified personnel only (**Page 27**). Refer to **Page 25** for more information about the pilot flame appearance. Contact a qualified service technician at once if any abnormal condition is observed.

Cleaning the control compartment

Keep the control compartment clean by vacuuming or brushing it out at least twice a year. More frequent cleaning may be required due to excessive lint from carpeting, bedding material, etcetera. It is imperative that control compartments, burners and circulating air passageways of the appliance be kept clean.

Touching up paint in small areas

Only use a factory-supplied paint kit for any touch-ups. Paint is available at your local IHP dealer. Never attempt to paint a hot fireplace. Do not attempt to repaint the fireplace until the finish is completely cured (*Burn-in Period* on **Page 31**). If the surface becomes stained or marred, it may be lightly sanded and touched up.

Cleaning the burner

Carefully remove the glass media. Vacuum out any foreign matter on the burner (e.g., lint, carbon, etc.). Ensure the burner ports are free of debris.

NOTE: Improper positioning of glass media can create carbon build-up and will alter the performance of the fireplace.

! WARNING

No glass media is to be placed on burner.

Inspecting the wiring

Refer to the wiring diagrams (*Figures 8 and 9, Pages 22 and 23*).

CAUTION

When servicing controls, label all wires prior to disconnection. Wiring errors can cause improper and dangerous operation. Verify proper operation after servicing.

Inspect and clean all wire connections. Ensure that there is no wire melting or damage. The inspection should include:

- Terminals at the valve
- All switches
- Remote control

Removing And Cleaning Media

CAUTION: Risk of personal injury. Allow media to completely cool before handling.

To remove glass media from appliance (for cleaning or replacement):

Use a clean, dry, empty shop vac.

1. Place media in colander or sieve, and carefully rinse under hot water.
2. Allow media to air dry before reinstalling.

MAINTENANCE SCHEDULE

See the tables below for detailed information about required maintenance, both regular and annual.

Maintenance Performed Annually—Before the Burning Season

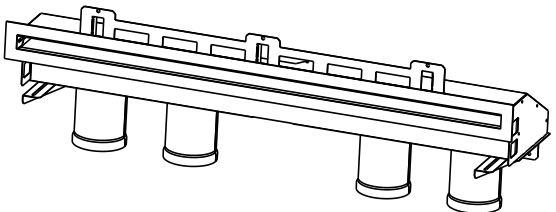
Maintenance Task	Performed By	Procedure
Inspecting/Cleaning Burner, Glass Media, and Controls	Qualified Service Technician	Inspect valve and ensure it is properly operating. Check piping for leaks. Vacuum the control compartment and burner area.
Check Flame Patterns and Flame Height	Qualified Service Technician	Verify the flame pattern and height displayed by the appliance. Flames must not impinge on the glass media, logs or rocks.
Inspecting/Cleaning Pilot and Burner	Qualified Service Technician	Remove any surface build-up on pilot and burner assembly. Wipe the pilot nozzles, ignitor/flame rod and hood. Ensure the pilot flame engulfs the flame sensor as shown.
Appliance Inspection	Qualified Service Technician	Perform the appropriate appliance inspection procedure detailed in this manual.

Maintenance Performed Periodically—After the Burning Season

Maintenance Task	Performed By	Procedure
Cleaning Firebox Interior	Homeowner	Carefully remove glass media. Vacuum out interior of the firebox. Clean firebox walls. Replace glass media as detailed in this manual.
Check Flame Patterns and Flame Height	Homeowner	Verify the flame pattern and height displayed by the appliance. Flames must not impinge on the glass media, logs or rocks.

ACCESSORY COMPONENTS

HeatFlo™ Kits

	Cat. No.	Model	Description
	F4760	HTFLO-VF45	HeatFlo Kit For 45" Units
	F4761	HTFLO-VF55	HeatFlo Kit For 55" Units
	F4578	HTFLO-EK-4.5	Flex Extension Kit For HeatFlo Kits (60" Compressed)
	F4579	---	Coverplate Kit W/ Fasteners For HeatFlo Kits

ACCESSORY COMPONENTS

Glass Media Kits

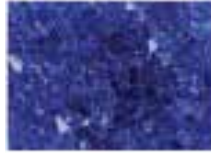
Cat. No.	Model	Description
H8412	CRSHGL-RBLKW	Reflective Black
H8424	CRSHGL-RBLU	Reflective Blue
H8413	CRSHGL-P	Platinum

One glass media kit (5 lb bag) of platinum is provided. If other colors are desired, choose from the attractive colors shown here.

NOTE: No more than 4 lbs should be used in the 45" units.



Reflective Black



Reflective Blue



Platinum

Touch-Up Paint Kits

Cat. No.	Model	Description
F1881	SCITPSAB	Black touch-up paint, firebox interior
F1882	SCTPSAB	Black touch-up paint, powder coat exterior

Repair minor scratches and discoloration of the fireplace black painted surfaces with the touch-up paint kits.



Driftwood Log Set

Cat. No.	Model	Description
F4716	DWLS - VFL45	Driftwood Log Set VF Liner 45
F4717	DWLS - VFL55	Driftwood Log Set VF Liner 55



NOTE: LOGS MAY VARY FROM ONES SHOWN.

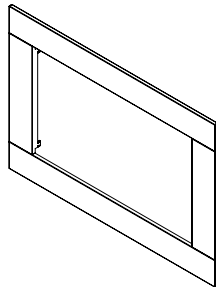
Tumbled River Stone

Cat. No.	Model	Description
F3775	RIVROCK-25PK	River Rock - 25 Piece Kit



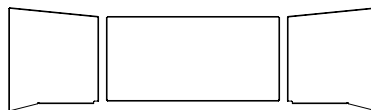
Decorative Surround

Cat. No.	Model	Description
F4240	DS-BLK-RNCL45	Dec. Surround, 45, Black Matte (52-1/8 W x 28-3/4 H)
F4241	DS-SS-RNCL45	Dec. Surround, 45, Stainless (52-1/8 W x 28-3/4 H)
F4242	DS-BLK-RNCL55	Dec. Surround, 55, Black Matte (62-1/8 W x 28-3/4 H)
F4243	DS-SS-RNCL55	Dec. Surround, 55, Stainless (62-1/8 W x 28-3/4 H)



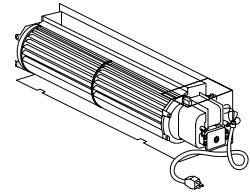
Decorative Porcelain Kit

Cat. No.	Model	Description
F4245	PLK-BLK-RNCL45	Porcelain Liner Kit, 45, Black
F4246	PLK-BLK-RNCL55	Porcelain Liner Kit, 55, Black



Forced Air Kits

Cat. No.	Model	Description
80L84	FBK-100	Blower, Standard



NOTE: Blower CANNOT be used if the accessory HeatFlo Kit is installed.

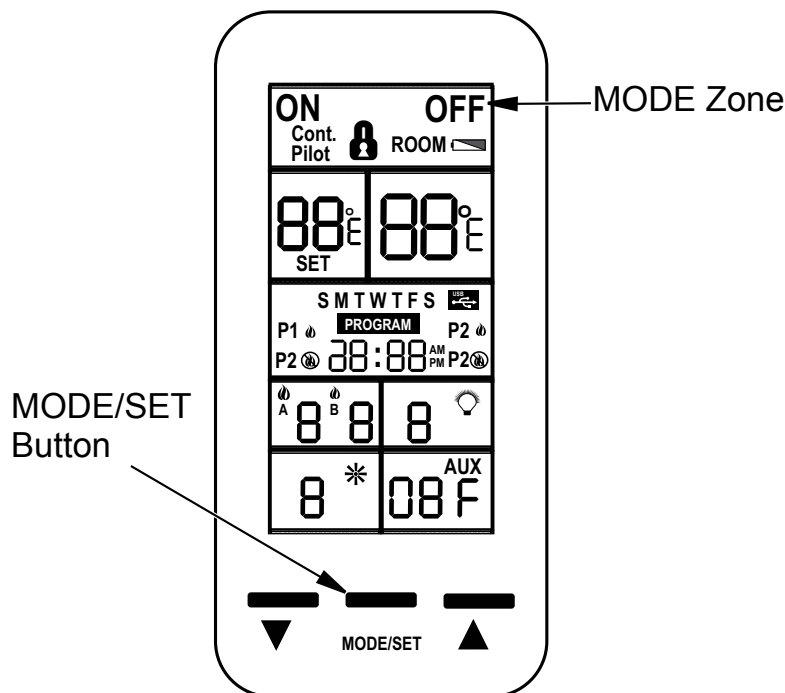
LIGHTING INSTRUCTIONS, ELECTRONIC

LIGHTING INSTRUCTIONS

This appliance requires 120V electricity for normal operation. Control module and back lights should be plugged into electrical outlet located underneath firebox bottom. Back up battery supply is available for power outages.

1. STOP! Read the safety information on other side of this plate and on front and back of warnings plate.
2. Make sure manual shutoff valve is fully open.
3. Press any button on the remote to power the remote on. If you see a Lock icon in the upper middle of the screen you will need to unlock the screen.
4. Press ON/OFF button and burners will come on in the high position. It may take a few seconds before the burner ignites. You will hear a beep from the receiver unit confirming the command and the pilot will start to spark before lighting. Refer to owner's manual for full operating instructions.

Note: *You may be running this heater for the first time after hooking up to gas supply. If so, you may have to restart the unit several of times to allow the air to bleed from the system.*



TO TURN OFF GAS TO APPLIANCE

Shutting Off Heater

1. Press ON/OFF button and burners will turn off. You will hear a beep from the receiver unit confirming the command.

WARNING: Do not convert heater to use different fuel type. Only use heater with fuel type specified.

⚠ WARNING: If you smell gas

- **Shut off gas supply.**
- **Do not try to light any appliance.**
- **Do not touch any electrical switch; do not use any phone in your building.**
- **Immediately call your gas supplier from a neighbor's phone. Follow the gas supplier's instructions.**
- **If you cannot reach your gas supplier, call the fire department.**

TROUBLESHOOTING ELECTRONIC SYSTEMS

Before troubleshooting, ensure that the fireplace main line gas shutoff valve and the wall switch are in the ON position. The following troubleshoots the fireplace only to an elementary level. For detailed remote and ignition system troubleshooting, refer to the instructions provided with the remote.

Detailed valve system troubleshooting should only be performed by a qualified service technician.

SYMPTOM	POSSIBLE CAUSES	CORRECTIVE ACTION
1. Nothing happens when the fireplace is turned ON/OFF.	a. Remote is not functioning properly.	Operate the fireplace from the unit mounted switch. Replace batteries in remote control and/or battery holder in control compartment.
	b. Gas is not reaching the fireplace.	Check the gas supply and gas shutoff valves. *
	c. Unit is not receiving power.	Check/replace backup batteries.
		Replace unit battery backup. Check building circuit breakers to ensure power is ON to the fireplace.
2. The main burner does not light and the igniter is sparking.	a. Gas is not reaching the fireplace.	Check the gas supply and gas shutoff valves.
	b. Loose wires to the valve.	Check control compartment for any obviously loose wiring (call a service technician, if necessary).
	c. Loose wires to ignition module.	Check control compartment for any obviously loose wiring (call a service technician, if necessary).
	d. Air in the gas line.	Purge gas line of air (call a service technician if required).
	e. Unit is not receiving power.	Replace unit battery backup.
3. The main Burner comes on but then goes out.	a. Gas is not reaching the fireplace.	Check the gas supply and gas shutoff valves.
	b. Loose wires to the valve or ignition module.	Check control compartment for any obviously loose wiring (call a service technician, if necessary).
	c. Pilot flame is not engulfing the sensor.	Call a service technician.
4. Soot is present on the glass media.	a. Flame impingement on the glass media.	Properly position the glass media as detailed on Page 34 . No media should be in contact with the burner or flames.
5. Burner will not shut off.	a. Remote does not function.	Replace batteries in remote control.
		Replace remote control.
b. Remote is lost.	Shut off gas at shutoff valve or if equipped, with optional wall switch.	
	6. Heater produces a clicking/ticking noise just after burners are lit or shut off.	a. Metal expanding while heating or contracting while cooling.
7. Heater produces unwanted odors.	a. Heater burning vapors from paint, hair spray, glues, cleaners, chemicals, new carpet, etc. (See IMPORTANT statement above).	Open window to ventilate room. Stop using odor causing products while heater is running.
	b. Low fuel supply (propane/LP only).	Refill supply tank (propane/LP only).
	c. Gas leak. See Warning statement at top of page.	Locate and correct all leaks (see Checking Gas Connections, Page 24).

*The unit may have multiple gas supply shutoffs (the main gas supply valve in the house, the gas supply valve in the fireplace control compartment, and/or an additional shutoff valve near the fireplace).

- ⚠ WARNING: If you smell gas**
- **Shut off gas supply.**
 - **Do not try to light any appliance.**
 - **Do not touch any electrical switch; do not use any phone in your building.**
 - **Immediately call your gas supplier from a neighbor's phone. Follow the gas supplier's instructions.**
 - **If you cannot reach your gas supplier, call the fire department.**

TROUBLESHOOTING ELECTRONIC SYSTEMS - CONTINUED

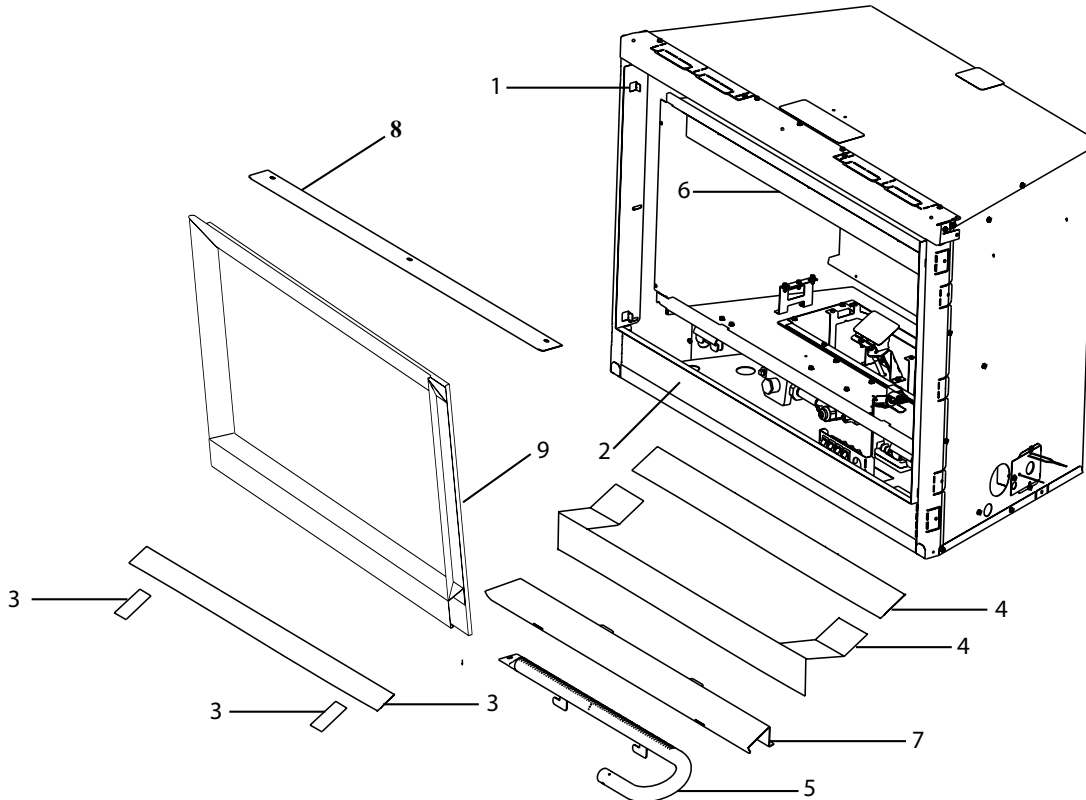
Before troubleshooting, ensure that the fireplace main line gas shutoff valve and the wall switch are in the ON position. The following troubleshoots the fireplace only to an elementary level. For detailed remote and ignition system troubleshooting, refer to the instructions provided with the remote.

Detailed valve system troubleshooting should only be performed by a qualified service technician.

SYMPTOM	POSSIBLE CAUSES	CORRECTIVE ACTION
8. Heater shuts off in use (ODS operates).	a. Not enough fresh air is available.	Open window and/or door for ventilation.
	b. Low line pressure.	Contact local natural or propane/LP gas company.
	c. ODS/pilot is partially clogged.	Clean ODS/pilot (see, <i>Cleaning and Maintenance, Page 37</i>).
9. Gas odor even when control knob is in OFF position.	a. Gas leak, See Warning statement at top of Page.	Locate and correct all leaks (see <i>Checking Gas Connections, Page 24</i>).
	b. Control valve or gas control defective.	Replace control valve or gas control.
10. Gas odor during combustion.	a. Foreign matter between control valve and burner.	Take apart gas tubing and remove foreign matter.
	b. Gas leak. See Warning statement at top of page.	Locate and correct all gas leaks (see <i>Checking Gas Connections, Page 24</i>).

REPLACEMENT PARTS

Fireplace Reference Information				
Cat. No.	Model	Description	Shipping Wt.	Shipping Vol.
F4679	EPSILONLX45ZEN	45" Linear VF, Lights, Elec NG	150 lb.	11.9 cu. ft.
F4680	EPSILONLX45ZEP	45" Linear VF, Lights, Elec LP	150 lb	11.9 cu. ft.
F4681	EPSILONLX55ZEN	55" Linear VF, Lights, Elec NG	170 lb.	14.8 cu. ft.
F4682	EPLISONLX55ZEP	55" Linear VF, Lights, Elec LP	170 lb	14.8 cu. ft.



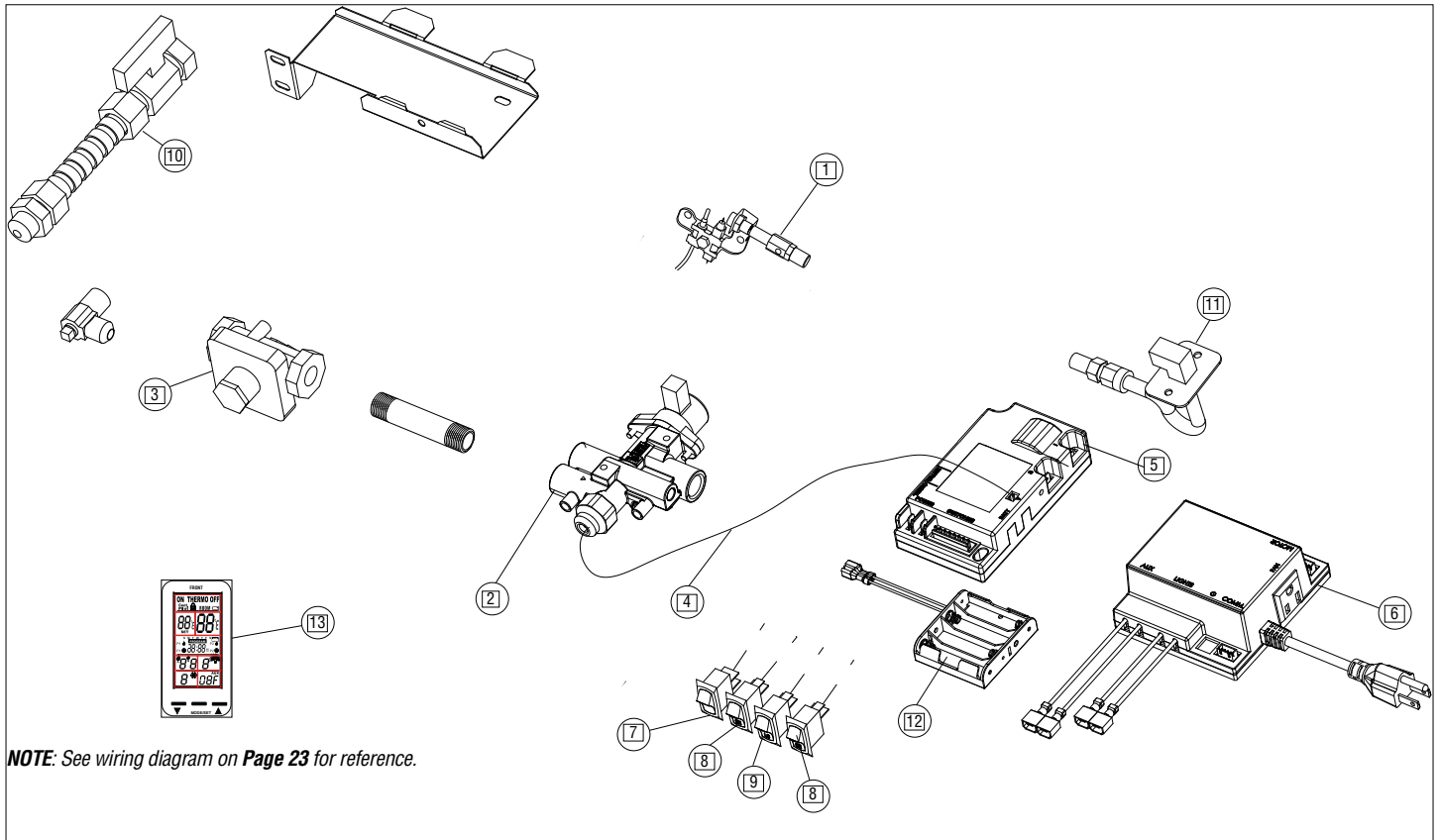
⚠ WARNING

- Never use substitute materials. Use of non-approved parts can result in poor performance and safety hazards.
- Failure to position the parts in accordance with these diagrams or failure to use only parts specifically approved with this appliance may result in property damage or personal injury.

Item #	Description	45" Model		55" Model	
		CAT No.	Qty	CAT No.	Qty
1	Side Tile Stop Kit	F4720	1	F4720	1
2	Lower Control Access Panel	F4270	1	F4436	1
3	Glass and Bracket Kit	F4731	1	F4732	1
4	Media Tray (2 Pieces)	F4721	1	F4722	1
5	Burner	F4259	1	F4432	1
6	Lintel	F3658	1	F4429	1
7	Firebox Floor Front	F4265	1	F4435	1
8	Convection Hood	F4765	1	F4766	1
9	Barrier Bezel Assembly	F4723	1	F4724	1

Item #	Description	45" Model		55" Model	
		CAT No.	Qty	CAT No.	Qty
--	Light Assembly Kit, 2 Pack	F4271	2	F4271	3
--	8" Non-Combustible Board	F4718	1	F4719	1
--	Firebox Liner Retainer Kit	F4054	1	F4254	1
--	Black Touch-Up Paint, Powder Coat, Exterior	F1882	1	F1882	1
--	Black Touch-Up Paint, Satin Black, Interior	F4032	1	F4032	1
--	Light Wire Harness	F4279	1	F4441	1
--	Cover Plate Kit w/ Fasteners, 4, HeatFlo	F4579	1	F4579	1

REPLACEMENT PARTS (Continued) Epsilon LX Models



REPLACEMENT PARTS (Continued)
Epsilon LX Models

Ecoflow Valve System Components									
Item #	Description	EpsilonLX45ZEN		EpsilonLX45ZEP		EpsilonLX55ZEN		EpsilonLX55ZEP	
		CAT No.	Qty	CAT No.	Qty	CAT No.	Qty	CAT No.	Qty
1	Pilot Assembly, Ecoflow, Natural Gas	F2955	1	N/A	--	F2955	1	N/A	--
1	Pilot Assembly, Ecoflow, Liquid Propane	N/A	--	F2956	1	N/A	--	F2956	1
2	Gas Valve, Ecoflow, Natural Gas	F3691	1	N/A	--	F3691	1	N/A	--
2	Gas Valve, Ecoflow, Liquid Propane	N/A	--	J7936	1	N/A	--	J7936	1
3	Regulator, Natural Gas	J7934	1	N/A	--	J7934	1	N/A	--
3	Regulator, Liquid Propane	N/A	--	J7958	1	N/A	--	J7958	1
4	Ecoflow V Wire	J7933	1	J7933	1	J7933	1	J7933	1
5	Ecoflow Control Module	F2960	1	F2960	1	F2960	1	F2960	1
6	Ecoflow Extension Power Supply Module	F2693	1	F2693	1	F2693	1	F2693	1
7	Switch, Rocker, Momentary, Learn	F2964	1	F2964	1	F2964	1	F2964	1
8	Switch, Rocker, IPI/CPI or Burner On/Off	80L41	2	80L41	2	80L41	2	80L41	2
9	Switch, Rocker, Burner Hi/Lo	F3456	1	F3456	1	F3456	1	F3456	1
10	Gas Flex Line Connector with Shutoff	93L32	1	93L32	1	93L32	1	93L32	1
11	Orifice Holder	H7257	1	H7257	1	H7257	1	H7257	1
12	Battery Holder (for backup batteries)	J7931	1	J7931	1	J7931	1	J7931	1
13	Ecoflow Touchscreen Remote Control	F2689	1	F2689	1	F2689	1	F2689	1
--	Burner Orifice, #43 (0.089")	99K75	1	N/A	--	N/A	--	N/A	--
--	Burner Orifice, #55 (0.052")	N/A	--	19L52	1	N/A	--	N/A	--
--	Burner Orifice, #40 (0.098")	N/A	--	N/A	--	69L96	1	N/A	--
--	Burner Orifice, #53 (0.0595")	N/A	--	N/A	--	N/A	--	39L10M	1
--	Ecoflow Wire Harness from Module to Switches (not shown)	F2690	1	F2690	1	F2690	1	F2690	1
--	Ecoflow Lights Wire Harness (not shown)	F4279	1	F4279	1	F4441	1	F4441	1
--	Ecoflow Wire Harness from Control to Ext Module (not shown)	F2692	1	F2692	1	F2692	1	F2692	1
--	LP Air Shutter	N/A	--	F4725	1	N/A	--	F4725	1
--	NG Air Shutter	F4726	1	N/A	--	F4726	1	N/A	--
--	15 Feet Two Conductor Wire	H4747	1	H4747	1	H4747	1	H4747	1

Innovative Hearth Products Astria® Brand Gas Fireplace Limited Lifetime Warranty

THE WARRANTY

Innovative Hearth Products ("IHP") Limited Lifetime Warranty warrants your Astria® brand gas fireplace ("Product") to be free from defects in materials and workmanship at the time of manufacture. The product body, firebox and barrier carry the Limited Lifetime Warranty. Ceramic glass carries the Limited Lifetime Warranty against thermal breakage only. After installation, if covered components manufactured by IHP are found to be defective in materials or workmanship during the Limited Lifetime Warranty period and while the Product remains at the site of the original installation, IHP will, at its option, repair or replace the covered components. If repair or replacement is not commercially practical, IHP will, at its option, refund the purchase price or wholesale price of the IHP product, whichever is applicable. IHP will also pay IHP prevailing labor rates, as determined in its sole discretion, incurred in repairing or replacing such components for up to five years. THERE ARE EXCLUSIONS AND LIMITATIONS to this Limited Lifetime Warranty as described herein.

COVERAGE COMMENCEMENT DATE

Warranty coverage begins on the date of purchase. In the case of new home construction, warranty coverage begins on the date of first occupancy of the dwelling or six months after the sale of the Product by an independent IHP dealer/distributor, whichever occurs earlier. The warranty shall commence no later than 24 months following the date of product shipment from IHP, regardless of the installation or occupancy date.

EXCLUSIONS AND LIMITATIONS

This Limited Lifetime Warranty applies only if the Product is installed in the United States or Canada and only if operated and maintained in accordance with the printed instructions accompanying the Product and in compliance with all applicable installation and building codes and good trade practices.

This warranty is non-transferable and extends to the original owner only. The Product must be purchased through a listed supplier of IHP and proof of purchase must be provided. The product body, firebox and barrier carry the Limited Lifetime Warranty from the date of installation. Vent components, trim components and paint are excluded from this Limited Lifetime Warranty. The following do not carry the Limited Lifetime Warranty but are warranted as follows:

Burner – Repair or replacement for five years from the date of installation

Gas components & electrical components – Repair or replacement for one year from the date of installation

Gaskets – Repair or replacement for one year from the date of installation

Gold & nickel plating - Replacement for two years from date of installation. Excludes tarnishing

Labor coverage – Prevailing IHP labor rates apply for the warranty period of the component

Light bulbs & batteries – Replacement for 90 days from the date of installation

Logs – Replacement for five years from the date of installation against thermal breakage only

Optional blowers & remote controls – Repair or replacement for one year from the date of installation

Optional glass doors & optional glass accessories – Repair or replacement for 90 days from the date of installation

Optional surrounds – Stone/Natural Materials: Replacement for one year against cracking or breakage due to thermal stress. Other Materials: Replacement for one year. Excludes surface and hairline cracks and scratches or slight color changes that do not affect the operation or safety of the unit

Tempered Glass -Replacement for one year from the date of installation

Parts not otherwise listed carry a 90 day warranty from the date of installation.

Whenever practicable, IHP will provide replacement parts, if available, for a period of 10 years from the last date of manufacture of the Product.

IHP will not be responsible for: (a) damages caused by normal wear and tear, accident, riot, fire, flood or acts of God; (b) damages caused by abuse, negligence, misuse, or unauthorized alteration or repair of the Product affecting its stability or performance (The Product must be subjected to normal use. The Product is designed to burn either natural or propane gas only. Burning conventional fuels such as wood, coal or any other solid fuel will cause damage to the Product, will produce excessive temperatures and could result in a fire hazard.); (c) damages caused by failing to provide proper maintenance and service in accordance with the instructions provided with the Product; (d) damages, repairs or inefficiency resulting from faulty installation or application of the Product.

IHP is not responsible for inadequate fireplace system draft caused by air conditioning and heating systems, mechanical ventilation systems, or general construction conditions which may generate negative pressure in the room in which the appliance is installed. Additionally IHP assumes no responsibility for drafting conditions caused by venting configurations, adjoining trees or buildings, adverse wind conditions or unusual environmental factors and conditions that affect the operation of the unit.

This Limited Lifetime Warranty covers only parts and labor as provided herein. In no case shall IHP be responsible for materials, components or construction, which are not manufactured or supplied by IHP or for the labor necessary to install, repair or remove such materials, components or construction. Additional utility bills incurred due to any malfunction or defect in equipment are not covered by this warranty. All replacement or repair components will be shipped F.O.B. from the nearest stocking IHP factory.

LIMITATION ON LIABILITY

It is expressly agreed and understood that IHP's sole obligation and the purchaser's exclusive remedy under this warranty, under any other warranty, expressed or implied, in contract, tort or otherwise, shall be limited to replacement, repair, or refund, as specified herein.

In no event shall IHP be liable for any incidental or consequential damages caused by defects in the Product, whether such damage occurs or is discovered before or after repair or replacement, and whether such damage is caused by IHP's negligence. IHP has not made and does not make any representation or warranty of fitness for a particular use or purpose, and there is no implied condition of fitness for a particular use or purpose.

IHP makes no expressed warranties except as stated in this Limited Lifetime Warranty. The duration of any implied warranty is limited to the duration of this expressed warranty.

No one is authorized to change this Limited Lifetime Warranty or to create for IHP any other obligation or liability in connection with the Product. Some states and provinces do not allow the exclusion or limitation of incidental or consequential damages, so the above limitations or exclusions may not apply to you. The provisions of this Limited Lifetime Warranty are in addition to and not a modification of or subtraction from any statutory warranties and other rights and remedies provided by law.

INVESTIGATION OF CLAIMS AGAINST WARRANTY

IHP reserves the right to investigate any and all claims against this Limited Lifetime Warranty and to decide, in its sole discretion, upon the method of settlement.

To receive the benefits and advantages described in this Limited Lifetime Warranty, the appliance must be installed and repaired by a licensed contractor approved by IHP.

Contact IHP at the address provided herein to obtain a listing of approved dealers/distributors. **IHP shall in no event be responsible for any warranty work done by a contractor that is not approved without first obtaining IHP's prior written consent.**

HOW TO REGISTER A CLAIM AGAINST WARRANTY

In order for any claim under this warranty to be valid, you must contact the IHP dealer/distributor from which you purchased the product. If you cannot locate the dealer/distributor, then you must notify IHP in writing. IHP must be notified of the claimed defect in writing within 90 days of the date of failure. Notices should be directed to the IHP Warranty Department at 1769 East Lawrence Street; Russellville, AL 35654 or visit our website at WWW.ASTRIA.US.COM.

Astria.us.com

Record the following important information about your fireplace:

Fireplace model number	
Fireplace serial number	
Date fireplace was installed	
Type of gas fireplace uses	
Dealer name	

Innovative Hearth Products (IHP) reserves the right to make changes at any time, without notice, in design, materials, specifications, prices and also to discontinue colors, styles and products. Consult your local distributor for fireplace code information.

