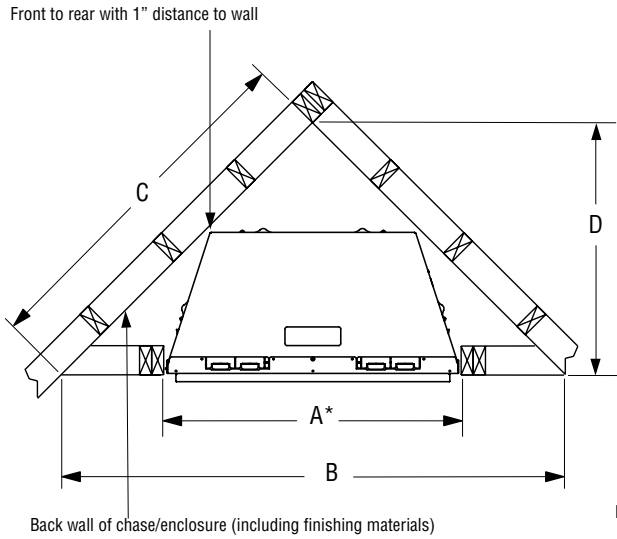
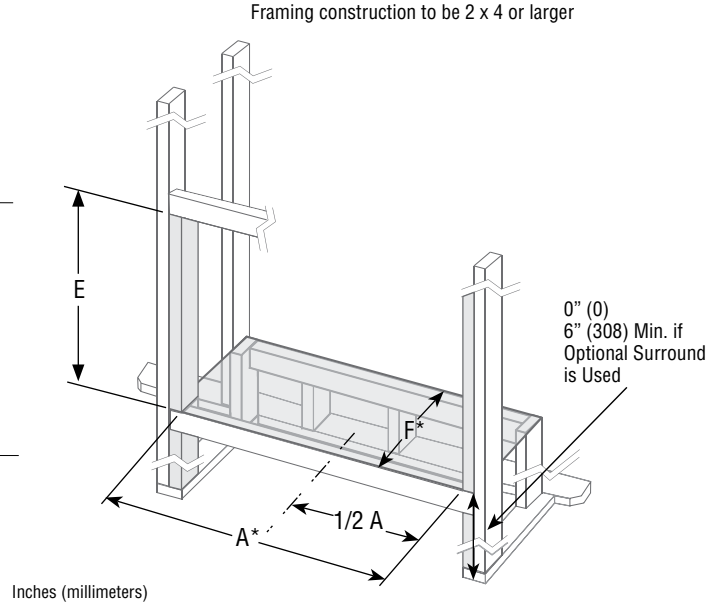


# EPSILON LX SERIES

## Standard Framing Dimensions



**Corner**

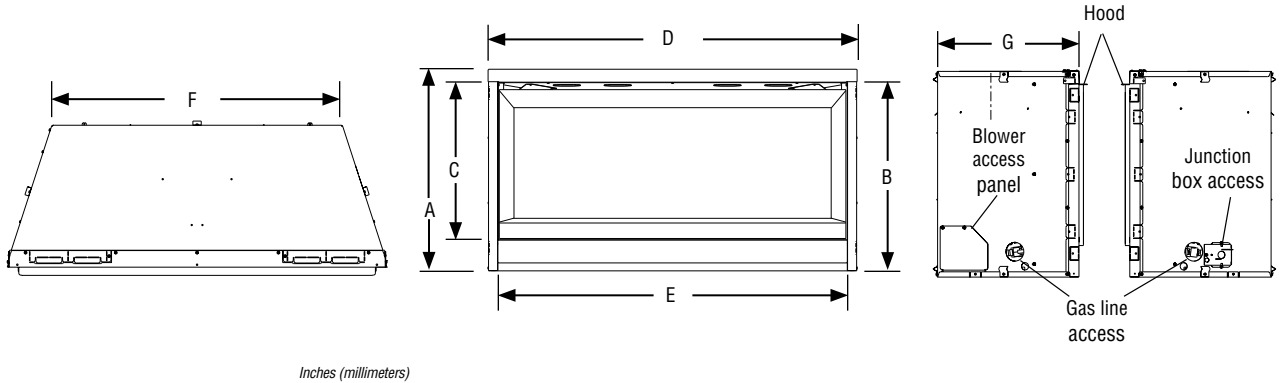


**Standard**

| Model      | A *           | B             | C             | D             | E        | F*       |
|------------|---------------|---------------|---------------|---------------|----------|----------|
| 45" Models | 45-7/8 (1165) | 70-3/8 (1788) | 49-3/4 (1264) | 35-1/4 (895)  | 29 (737) | 18 (458) |
| 55" Models | 55-7/8 (1420) | 82-3/4 (2102) | 58-1/2 (1486) | 41-3/8 (1051) | 29 (737) | 18 (458) |

A\* Minimum opening size: additional 1/8" per side is recommended.  
F\* For flush framing installations.  
**NOTE: If flush framing unit, field supplied non-combustible board will need to be used.**

## Fireplace Dimensions



**Top View**

**Front View**

**Left Side View**

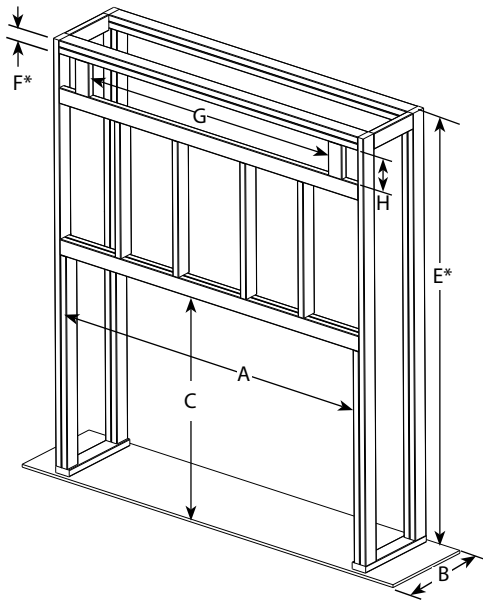
**Right Side View**

| Model      | A            | B            | C            | D             | E             | F             | G        |
|------------|--------------|--------------|--------------|---------------|---------------|---------------|----------|
| 45" Models | 24-3/4 (629) | 23-1/4 (591) | 19-3/8 (492) | 45-1/2 (1156) | 42-7/8 (1089) | 34-3/4 (883)  | 17 (432) |
| 55" Models | 24-3/4 (629) | 23-1/4 (591) | 19-3/8 (492) | 55-1/2 (1410) | 52-7/8 (1344) | 44-3/4 (1137) | 17 (432) |

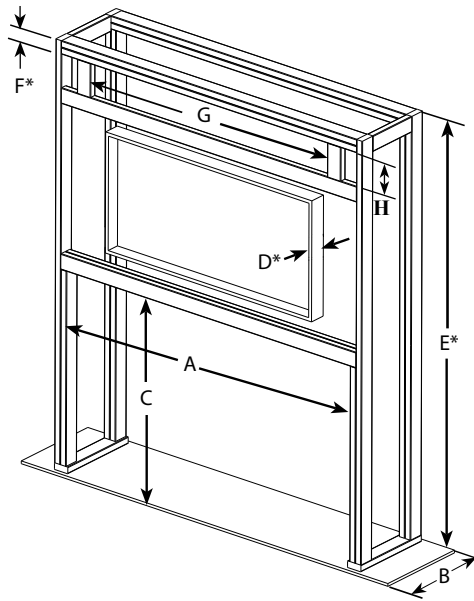
NOTE: DIAGRAMS & ILLUSTRATIONS ARE NOT TO SCALE.

# EPSILON LX SERIES

HeatFlo Framing Dimensions



with HeatFlo Kit  
for Flush Wall



with HeatFlo Kit  
for Recessed Wall Pocket

## Framing Dimensions - Inches (millimeters)

|                   | A             | B        | C        | D*         | E*            | F*         | G             | H           |
|-------------------|---------------|----------|----------|------------|---------------|------------|---------------|-------------|
| <b>45" Models</b> | 45-7/8 (1165) | 18 (458) | 29 (737) | 3-1/2 (89) | 81-1/2 (2070) | 3-1/2 (89) | 43-1/2 (1105) | 5-1/8 (130) |
| <b>55" Models</b> | 55-7/8 (1420) | 18 (458) | 29 (737) | 3-1/2 (89) | 81-1/2 (2070) | 3-1/2 (89) | 53-1/2 (1359) | 5-1/8 (130) |

D\* Maximum allowable depth  
E\* Minimum height from appliance base to ceiling

F\* Minimum distance from framed opening to ceiling

**NOTE:** Unit must be installed a minimum of 6" off floor if the optional surround is to be installed.

**TVs should not be used in situations where the actual TV temperature exceeds the manufacturer's technical specification. Contact the TV manufacturer directly if you cannot locate this information or have questions regarding this information.**

Shelf Height

| Model      |     |
|------------|-----|
| 45" Models | 33" |
| 55" Models | 33" |

**CLEARANCES TO COMBUSTIBLES MUST BE MAINTAINED:**  
**No combustible materials or insulation is permitted in the shaded area between the appliance and the shelf above it.**  
**⚠ WARNING: CRITICAL INSTALLATION INFORMATION THAT IF NOT FOLLOWED CAN RESULT IN A SAFETY HAZARD!**

NOTE: DIAGRAMS & ILLUSTRATIONS ARE NOT TO SCALE.

# EPSILON LX SERIES

Product Information

Listing Information

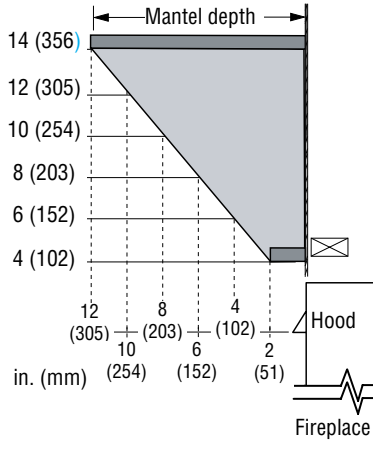
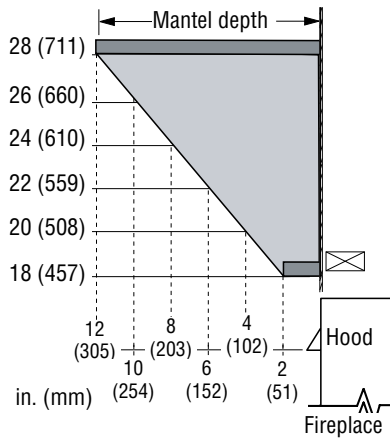
| Fireplace Reference Information |                                |              |               |
|---------------------------------|--------------------------------|--------------|---------------|
| Model                           | Description                    | Shipping Wt. | Shipping Vol. |
| EPSILONLX45ZEN                  | 45" Linear VF, Lights, Elec NG | 150 lb.      | 11.9 cu. ft.  |
| EPSILONLX45ZEP                  | 45" Linear VF, Lights, Elec LP | 150 lb.      | 11.9 cu. ft.  |
| EPSILONLX55ZEN                  | 55" Linear VF, Lights, Elec NG | 170 lb.      | 14.8 cu. ft.  |
| EPSILONLX55ZEP                  | 55" Linear VF, Lights, Elec NG | 170 lb.      | 14.8 cu. ft.  |



Listed by PFS TECO to - ANSI Z21.11.2 as an unvented room heater.

## Mantel Clearances

*Epsilon LX Series, Standard Installation*    *Epsilon LX Series w/Accessory HeatFlo Kit Installed*



Clearances

## Side Wall Clearances

