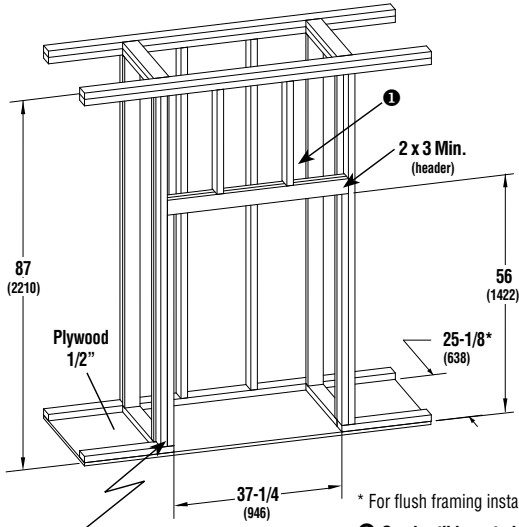


# Bainbridge

## EPA Wood Burning Fireplaces Specifications

PRODUCT REFERENCE INFORMATION Model: BAINBRIDGE	
Weight	330 lbs
Height	38"
Width	37-1/4"
Depth	25-1/8"
Firebox W x H x D measured in front	22" x 11-3/4" x 12"

Framing Dimensions



**Rough Framing Face**  
(dimension includes finish material inside framing, if any)

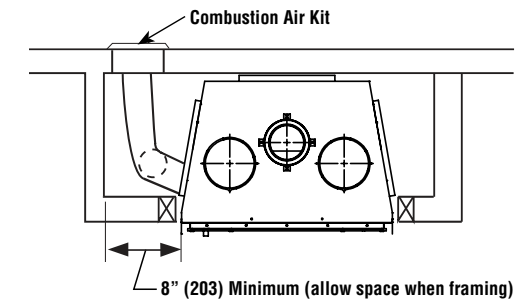
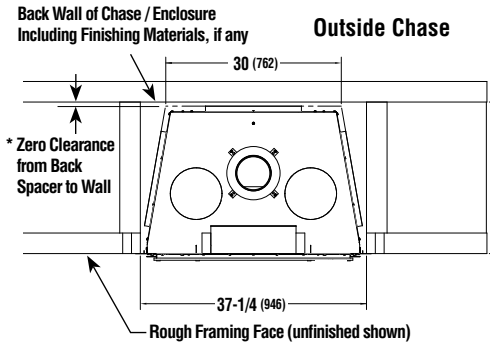
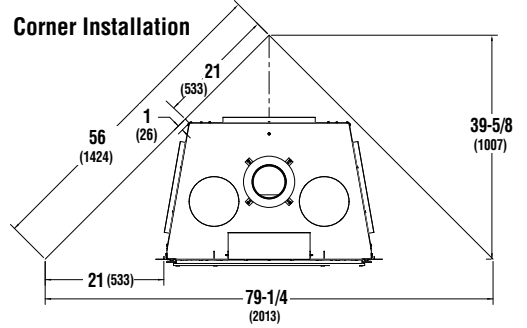
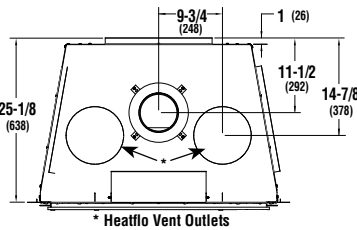
\* Combustible materials can NOT be used in the space directly above the fireplace. Do not fill the space above the fireplace with any material (Except the wood framing)



Report No. 14-199 R1

Listed to ULC-S610 & UL-127

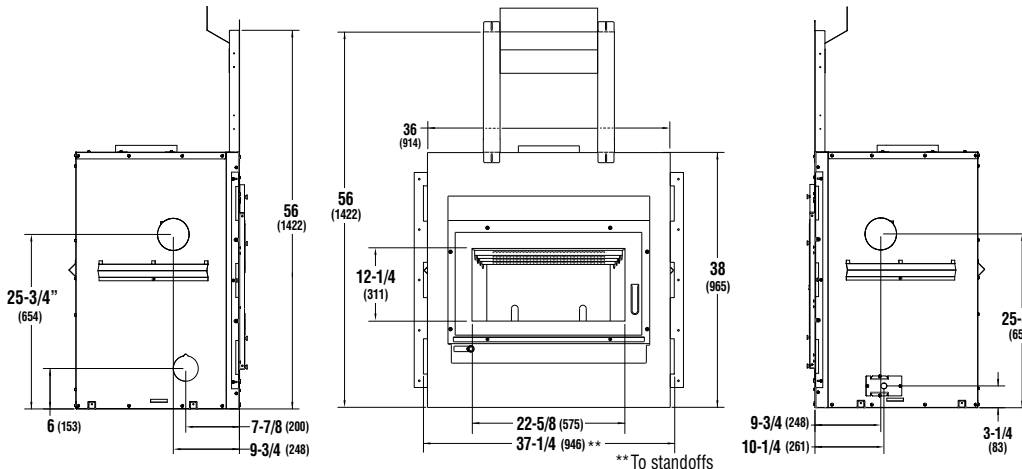
EPA certification test emission value  
1.9 g/hr per 2020 NSPS (cordwood)



NOTES
Diagrams, illustrations and photographs are not to scale – consult installation instructions. Product designs, materials, dimensions, specifications, colors and prices are subject to change or discontinuance without notice.
All framing dimensions include sheathing.
* The fireplace must not be in contact with any insulation or loose filling material. Cover the insulation with drywall panels around the fireplace.

Listing Information

Fireplace Dimensions



\*\*To standoffs

### INSTALLATION ACCESSORIES

- 6" diameter chimney - United States Model IHP Snap-Pak, including:
  - Chimney lengths
  - Elbows (where necessary)
  - Associated components as per these installation instructions
- 6" diameter chimney - Canada \* Security Chimney: Secure Temp ASHT+ or S2100+, DuraVent: DuraTech Canada or Duratech Premium, including:
  - Chimney lengths
  - Elbows (where necessary)
  - Associated components as per the installation instructions & instructions provided by the venting manufacturer
- Decorative Door - Required (Order Separately)
- Front Facade kit - Required (Order Separately)
- Blower (included in the fireplace)
- Blower Speed Control (included)
- Outside Air Kit (included)
- Heatilo Convection Kit (optional)
- Forced Air Kit (optional)

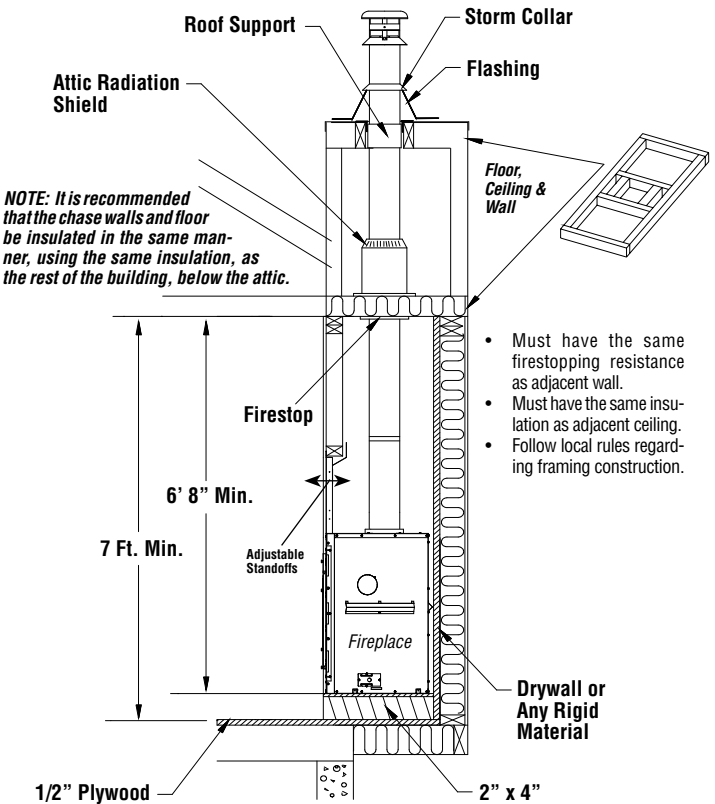
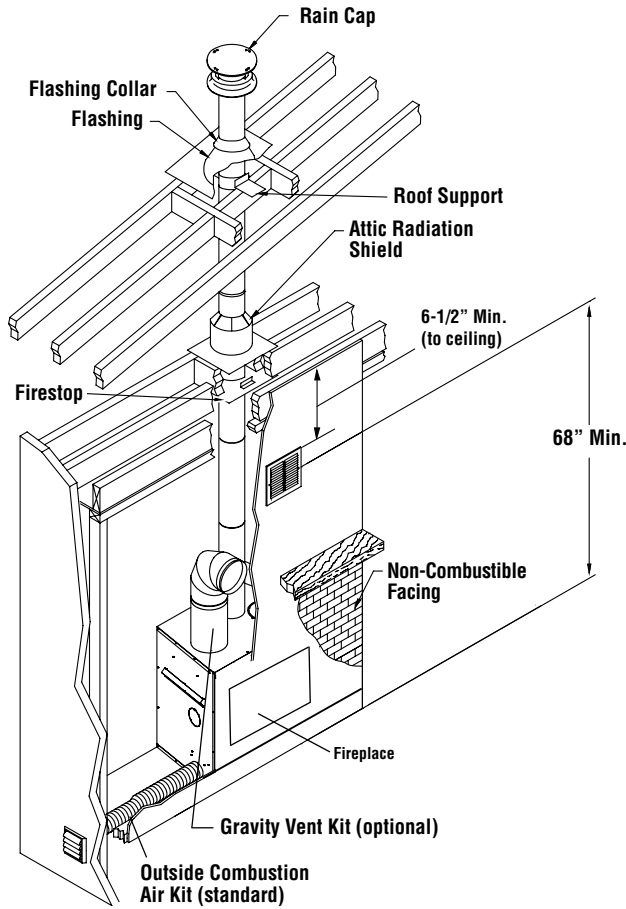
Inches (millimeters)

\*Available from Security Chimneys

# Bainbridge

## EPA Wood Burning Fireplaces Specifications

Typical Installations



Combustible Clearances

### CLEARANCE TO COMBUSTIBLES

The following clearances meet the minimum requirements for a safe installation:

**Side wall:** 24" (610 mm) measured from the firebox opening.

**Ceiling:** 6' 8" (2032 mm) measured from the base of the fireplace.

**Fireplace enclosure:**

- Bottom:** 0"
- Side:** 0" to spacer
- Back:** 0" to spacer

**Top:** Do not fill the space above the fireplace with any material (Except the wood framing)

**Chimney:** 2" (50 mm)

**Mantel:** 39-1/2 (1004mm) minimum above base of unit. 16" (407mm) maximum depth.  
NOTE: Only non-combustible mantels may be used.

