

Performer™ Model S210AGLS



Appliance Specifications - Wood-Burning Stoves

Product Reference Information			
Model	Description	Ship. Weight	Ship. Volume
S210AGLS	S210AGLS, Wood Stove, Step Top, Arch Black Door, Nickel Nameplate	424 lb.	20.7 cu. ft.

Specifications

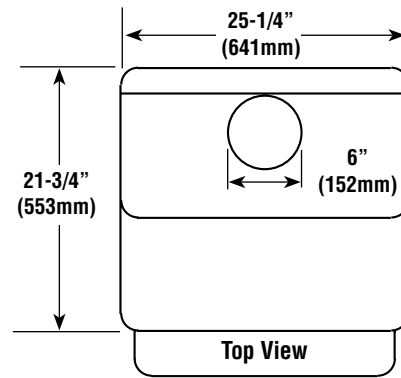
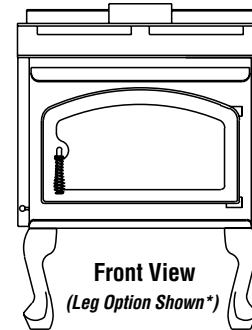
Stove Pipe Diameter Single Wall or Double Wall	6" (152 mm)
Log Length	19" Max. (483mm)
Firebox	Volume = 2.0 cu. ft.
Maximum Output ❶	76,000 BTUs/hr.
Maximum Burn Times ❶	7–9 hrs.
Heating Capacity ❶	1,200–2,000 sq. ft.

NOTES:

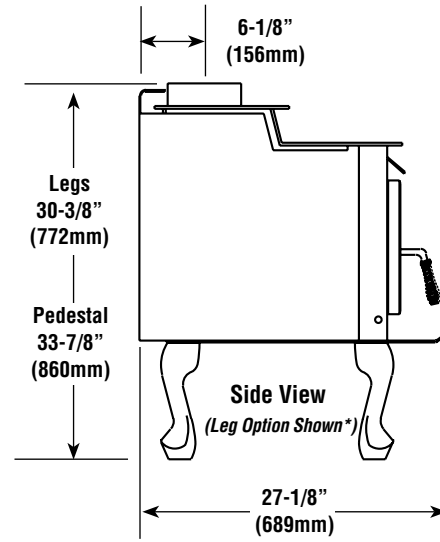
- Dimensions shown are approximations only (+/- 1/4")
- Diagrams, illustrations and photographs are not to scale – consult installation instructions. Product designs, materials, dimensions, specifications, colors and prices are subject to change or discontinuance without notice.
- Approved for residential, manufactured home, and alcove installations.
- Optional Kits Available:
 - Faceplate Kits (choice of black, nickel or brushed nickel).
 - Thermally Activated Blower Kit (700-CFM)
 - Outside Air Kit
 - Leg Base (choice of black, nickel or brushed nickel)
 - Pedestal Base (choice of standard or with ash drawer)
 - Heat Shield (required with leg base)

Notes

❶ Square-foot heating capacities and burn times are approximations only. Actual performance may vary depending upon home design and insulation, ceiling heights, climate, condition and type of wood used, appliance location, burn rate, accessories chosen, chimney installation and how the appliance is operated.



Dimensions



The Performer™ Model S210AGLS wood stove is safety listed with the following agency:

- Listing Agency: PFS TECO. Listed to UL 1482-2022, ULC S627-2023



Certified to comply with EPA 2020 particulate emission standards using crib wood.
Emissions value: 1.5 g/hr

Report No. 14-185

Listing



Performer™ Model S210AGLS

Clearances - Refer to Diagrams A, B & C

PIPE	INSTALLATION	A	B (1)	C	D (1)	E†	F (1,4)
Single Wall	Residential	USA-16" CAN-483mm	13-3/4" 349mm	USA-24" CAN-635mm	14-1/2" 368mm	8" 200mm	9" 229mm
② Single w/ Pipe Shield	Residential	USA-10" CAN-330mm	7-3/4" 197mm	USA-24" CAN-635mm	14-1/2" 368mm	8" 200mm	9" 229mm
Double Wall	Residential or Mobile Home*	USA-10" CAN-330mm	7-3/4" 197mm	USA-18" CAN-483mm	8-1/2" 216mm	8" 200mm	6" 152mm
Double Wall	Alcove	USA-10" CAN-330mm	7-3/4" 197mm	USA-21" CAN-559mm	8-1/2" 216mm	8" 200mm	6" 152mm

PIPE	INSTALLATION	G (4)	H (2)	J (2)	K	L (5)	M
Single Wall	Residential or Alcove	USA-18" CAN-533mm	USA-37-3/4" CAN-1213mm	USA-34-3/4" CAN-1048mm	USA-16" CAN-450mm	USA 0" CAN-200mm	84" 2134mm
② Single w/ Pipe Shield	Residential or Alcove	USA-18" CAN-533mm	USA-37-3/4" CAN-1213mm	USA-34-3/4" CAN-1048mm	USA-16" CAN-450mm	USA 0" CAN-200mm	84" 2134mm
Double Wall Air-Cooled	Residential or Alcove or Mobile Home*	USA-15" CAN-450mm	USA-37-3/4" CAN-1213mm	USA-34-3/4" CAN-1048mm	USA-16" CAN-450mm	USA 0" CAN-200mm	72" 1829mm
Double Wall	Alcove	N/A	USA-37-3/4" CAN-1213mm	USA-34-3/4" CAN-1048mm	USA-16" CAN-450mm	USA 0" CAN-200mm	72" 1829mm

† USA=8" (200mm) from door opening, Canada=8" (200mm) from sides and back of unit

① Dimensions to Stove Body * Mobile Home - USA only

② Clearances may only be reduced by means approved by the regulatory authority.

Diagram A: Top View-Parallel Installation

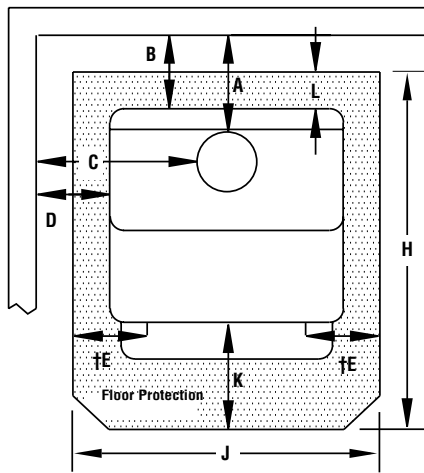
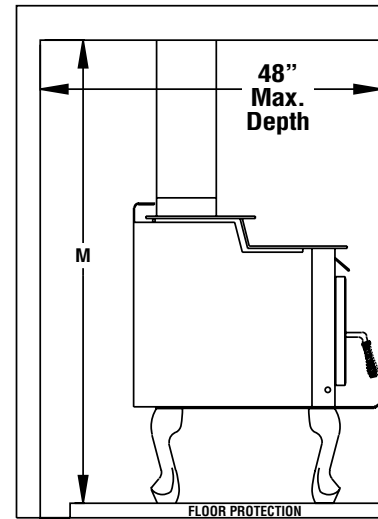


Diagram B: Side View-Alcove Installation



Clearances

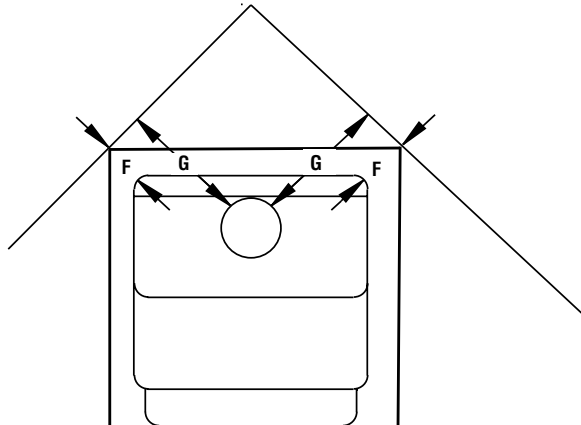


Diagram C: Top View-Corner Installation

Footnotes:

- 1- These dimensions to the stove body are for reference only. Actual distances should be measured from the stove's flue collar.
- 2- Minimum noncombustible hearth pad dimensions.
- 3- Shield shall be attached to the rear of the stove pipe with a 1" air space and must run from the top of the stove to the ceiling.
- 4- Not applicable to alcove installations.
- 5- In corner applications, when installed at minimum back wall clearances, the required floor protection is dimensioned off the back plane of the stove, therefore the floor protection required off the back corners (at a 45 degree angle) only needs to extend to the wall. This situation will only occur in CANADA installations.

Clearances to connector pipe shall be measured from the flue collar of the stove.