

# ALLUME DLX

LINEAR DIRECT VENT GAS FIREPLACES



Allume DLX 60 with Black Reflective Glass Liner and Platinum Crushed Glass

## STANDARD FEATURES

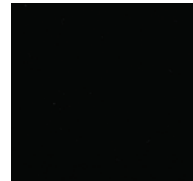
- ◆ Available in 60", 72", and 84" linear configured models
- ◆ See through conversion kit available to allow viewing from two living spaces
- ◆ HeatFlo™ kit option allows directs heat above heat sensitive wall hangings
- ◆ Electronic ignition with battery backup provides continued operation in the event of a power outage
- ◆ Three flame settings with up to a 30% turn down for precise heat control
- ◆ Clean-face design with integrated tile stops for easy finishing
- ◆ Ceramic glass for optimum heat transfer and a protective screen\*
- ◆ Factory installed blower with six speed settings to fine tune your heating\*\*
- ◆ Black painted interior standard with multiple reflective glass liner options available
- ◆ Platinum crushed glass media included with several optional colors available to customize the look
- ◆ Mood enhancing multi-colored LED floor lighting enhances the fireplace interior with or without a fire
- ◆ Multi-function touchscreen remote included (IPI/CPI, thermostat, flame height, blower, lighting)
- ◆ Optional Power-Vent system available for down-and-out installations
- ◆ Limited Lifetime Warranty

\*All applicable models comply with ANSI Z21.50/88 barrier requirements.

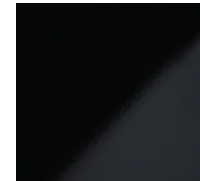
\*\* Blower use is not compatible with a see-through application.

[astria.us.com](http://astria.us.com)

## LINERS



Black Painted (Standard)

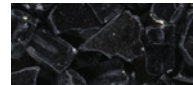


Black Reflective



White Reflective

## MEDIA



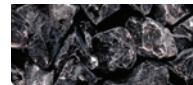
Refl. Black Crushed Glass (Standard)



Platinum Crushed Glass



Refl. Blue Crushed Glass



Onyx Ice Rock



Diamond Ice Rock



Sapphire Blue Ice Rock



River Rock Assorted Set



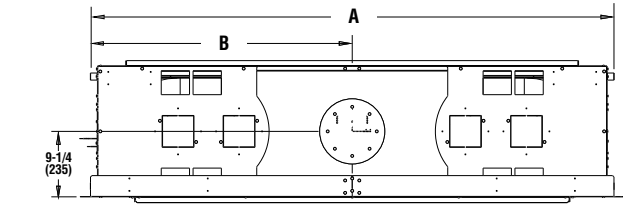
High-Definition Driftwood Log Set

## MULTI-FUNCTION TOUCHSCREEN REMOTE (Included)

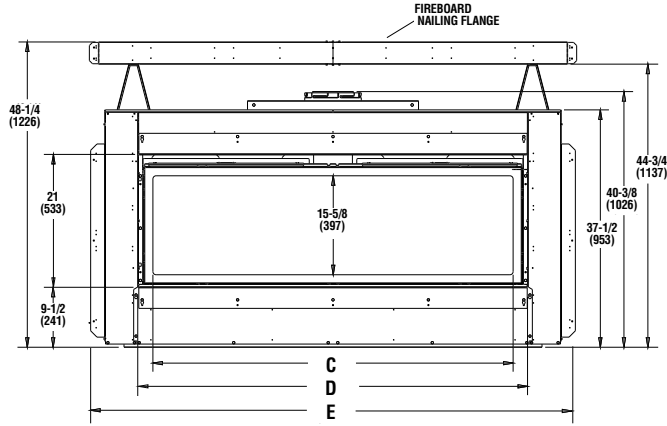


# APPLIANCE SPECIFICATIONS

# FLAT WALL FRAMING SPECIFICATIONS



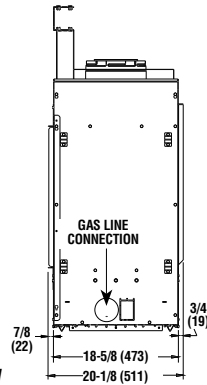
TOP VIEW



FRONT VIEW

### ALLUME DLX DIMENSIONS

| Models | A   | B   | C       | D       | E        |
|--------|-----|-----|---------|---------|----------|
| 60"    | 74" | 37" | 56-5/8" | 61-1/2" | 76-5/8"  |
| 72"    | 86" | 43" | 68-5/8" | 73-1/2" | 88-5/8"  |
| 84"    | 98" | 49" | 80-5/8" | 85-1/2" | 100-5/8" |



RIGHT SIDE VIEW

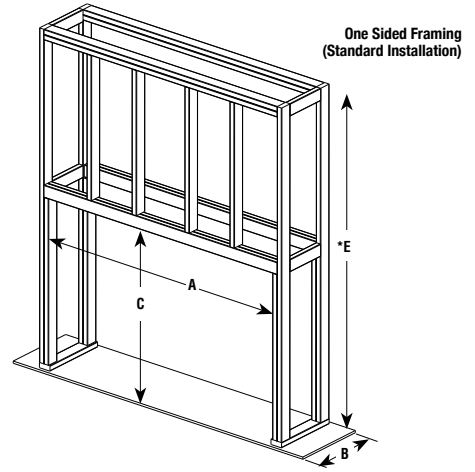
Refer to Installation Manual for all required clearances to combustibles.

### FIREPLACE BTU OPERATING RANGE

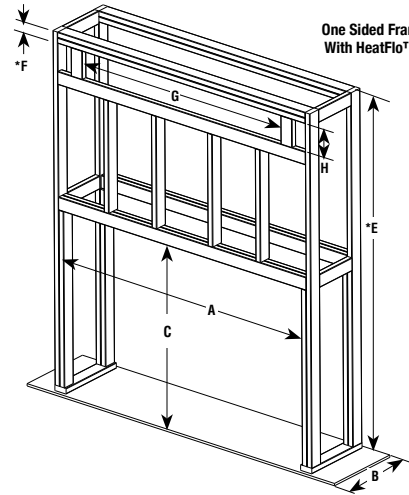
| MODEL           | FUEL | BTU/HR        | AFUE | P4   |
|-----------------|------|---------------|------|------|
| ALLUME DLX 60-B | NG   | 40,000-28,000 | 52.6 | 55.1 |
| ALLUME DLX 60-B | LP   | 40,000-30,000 | 52.6 | 54.0 |
| ALLUM DLX 72    | NG   | 45,000-31,500 | 55.0 | 57.0 |
| ALLUME DLX 72   | LP   | 43,000-32,250 | 55.0 | 57.8 |
| ALLUME DLX 84   | NG   | 50,000-35,000 | 51.1 | 55.4 |
| ALLUME DLX 84   | LP   | 47,000-35,250 | 56.7 | 63.1 |

### IMPORTANT NOTES:

As with any fireplace, this appliance is extremely hot during operation. Read and understand all operating instructions before using this appliance. For further information, consult your dealer. Local conditions, such as elevation and choice of fuel will affect overall appearance of the fire and heating performance. Performance can also vary with home design and insulation, ceiling height, accessories chosen and appliance location. Diagrams, illustrations and photographs are not to scale — consult installation instructions. Product designs, materials, dimensions, specifications, colors and prices are subject to change or discontinuance without notice.



One Sided Framing (Standard Installation)



One Sided Framing With HeatFlo™ Kit

### ALLUME DLX FRAMING DIMENSIONS

| Models                             | A       | B       | C       | E   | F  | G   | H      |
|------------------------------------|---------|---------|---------|-----|----|-----|--------|
| 60" One Sided Framing              | 74-1/4" | 19-1/2" | 48-1/2" | 84" | —  | —   | —      |
| 60" One Sided Framing HeatFlo™ Kit | 74-1/4" | 19-1/2" | 48-1/2" | 84" | 3" | 62" | 7-1/2" |
| 72" One Sided Framing              | 86-1/4" | 19-1/2" | 48-1/2" | 84" | —  | —   | —      |
| 72" One Sided Framing HeatFlo™ Kit | 86-1/4" | 19-1/2" | 48-1/2" | 84" | 3" | 78" | 7-1/2" |
| 84" One Sided Framing              | 98-1/4" | 19-1/2" | 48-1/2" | 84" | —  | —   | —      |
| 84" One Sided Framing HeatFlo™ Kit | 98-1/4" | 19-1/2" | 48-1/2" | 84" | 3" | 90" | 7-1/2" |

E. MINIMUM HEIGHT FROM APPLIANCE BASE TO CEILING

F. MINIMUM OPENING DISTANCE FROM CEILING TO ALLOW FOR MIN DISTANCE FROM HEATFLO REGISTER TO CEILING OF 6"

Refer to Spec Sheet for complete see-through applications and instructions.



© 2021 Innovative Hearth Products  
785749M 12/21

Visit us online  
Astria.us.com

