

PARIS LIGHTS

VENT-FREE GAS FIREPLACE SYSTEMS





Paris Lights shown with Clear Glass Media and optional Black Decorative Face Trim

From the stunning, unobstructed views of its dancing flames to the high-efficiency heating that only comes from advanced engineering, the **Paris Lights** Vent-Free Gas Fireplace offers the style and performance demanded by today's homeowners. Standard features keep living areas warm and inviting, while other standard accessories like Reflective Porcelain Liners and Clear Glass Media add style to any room. As versatile as it is efficient, the Paris Lights is the choice for affordable comfort without compromise.

GLASS MEDIA



Clear (Standard)



Amber

DECORATIVE FACE TRIM

Choose from three decorative face trims to customize to your décor.



Remote (included)



Aged Silver



Aged Copper

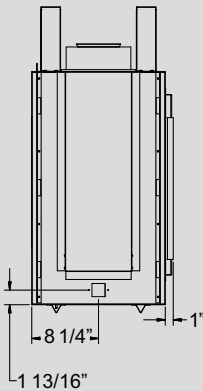
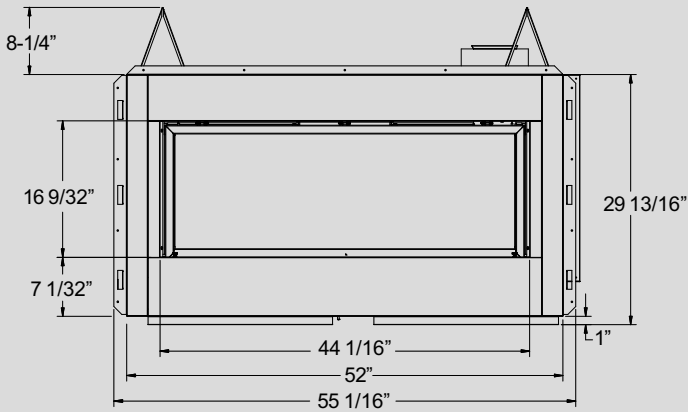
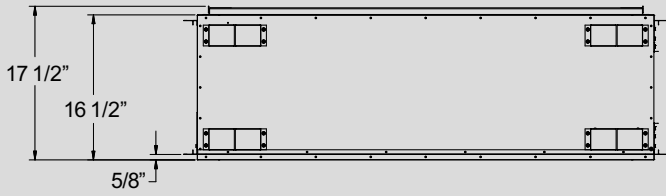


Black

STANDARD FEATURES

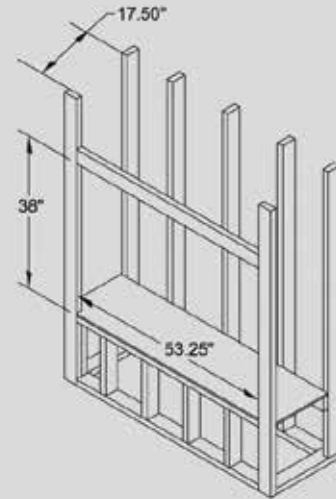
- ◆ 43" front, open linear configuration
- ◆ Transform your fireplace into a see-through model using the optional conversion kit
- ◆ Gas controls are conveniently hidden in the fireplace floor
- ◆ Electronic ignition with battery backup to operate in the event of a power outage
- ◆ Dancing yellow flames
- ◆ Six flame settings for precise heat control
- ◆ 99.9% heating efficiency
- ◆ Three-piece black reflective porcelain liners
- ◆ Mood enhancing fireplace interior lighting, with six distinctive illumination settings
- ◆ Includes clear glass media
- ◆ Full function remote control (T'stat, flame, lighting, IPI/CPI)
- ◆ Limited Lifetime Warranty

APPLIANCE SPECIFICATIONS

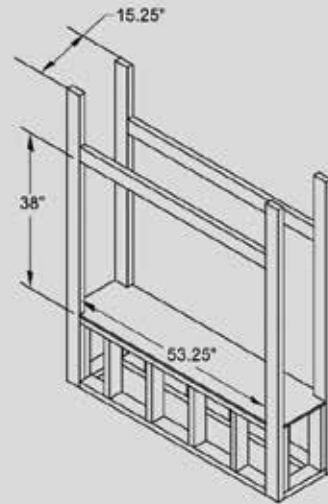


FLAT WALL FRAMING SPECIFICATIONS

ONE SIDED APPLICATION



SEE-THROUGH APPLICATION



IMPORTANT NOTES:

As with any fireplace, this appliance is extremely hot during operation. Read and understand all operating instructions before using this appliance. For further information, consult your dealer.

Local conditions, such as elevation and choice of fuel will affect overall appearance of the fire and heating performance. Performance can also vary with home design and insulation, ceiling height, accessories chosen and appliance location.

Diagrams, illustrations and photographs are not to scale — consult installation instructions. Product designs, materials, dimensions, specifications, colors and prices are subject to change or discontinuance without notice.

FIREPLACE EFFICIENCIES

MODEL	FUEL	BTU/HR	*AFUE
PARIS LIGHTS 43	NG	25,000-39,000	99.9%
PARIS LIGHTS 43	LP	29,000-37,000	99.9%

*Annual Fuel Utilization Efficiency (AFUE) is the recognized U.S. rating system for the total efficiency of heating products.

