

# MARQUEE

VENT-FREE GAS FIREBOXES







Marquee firebox with Ivory Herringbone Mosaic Masonry™ brick

Designed for large living spaces, Marquee series vent-free fireboxes feature a tall 30" opening and full brick to face design for a classic masonry fireplace appearance. Interior liner options include a choice of Mosaic Masonry kiln-fired firebrick liners or Estate Panel poured refractory liners in a variety of designer colors and stacked or herringbone patterns. Combined with vent-free gas logs, the Marquee delivers an authentic masonry look and efficient comfort.

## STANDARD FEATURES

- ◆ Available in 36", 42" and 50" models
- ◆ 30" tall and full width opening on all models
- ◆ Fully insulated firebox for increased performance in colder climates
- ◆ Mosaic Masonry Firebrick or Estate Refractory Panels available in a variety of patterns and colors with integrated ash lip (1- required)
- ◆ Includes mesh fire screens
- ◆ Durable textured powder coat finish
- ◆ Select from a variety of compatible vent-free log sets and controls (sold separately)
- ◆ Easy-access gas line knockouts on both sides for quick and simple installation.
- ◆ Dual (left hand/right hand) outside air kits available for maximum performance
- ◆ Lifetime Limited Warranty

Compatible with any listed ANSI Z21.11.2 vent-free log set.  
Choose an Astria vent-free gas log set for best results.

## COMPATIBLE VENT-FREE GAS LOG SETS



Bison Mountain



Western Timber



Rich Oak



Southern Comfort



Shady Hollow

## MOSAIC MASONRY FIREBRICK LINERS

Mosaic Masonry liners are constructed with true kiln-fired firebricks and mortared joints for a classic masonry fireplace appearance. Offered in a variety of solid colors in full stacked, full herringbone, split stacked and split herringbone patterns.



*Midnight Full Herringbone*



*Midnight Full Stacked*



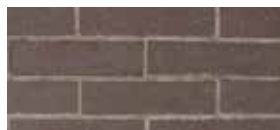
*Warm Red Full Herringbone*



*Warm Red Full Stacked*



*Midnight Split Herringbone*



*Midnight Split Stacked*



*Warm Red Split Herringbone*



*Warm Red Split Stacked*



*Slate Grey Full Herringbone*



*Slate Grey Full Stacked*



*Ivory Full Herringbone*



*Ivory Full Stacked*



*Slate Grey Split Herringbone*



*Slate Grey Split Stacked*



*Ivory Split Herringbone*



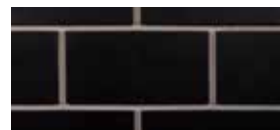
*Ivory Split Stacked*

## ESTATE PANEL REFRACTORY LINERS

Estate Panel liners are solid poured refractory panels that are 27% thicker than standard refractory panels, allowing for accentuated grout joints. Available in several designer color options with grey grout joints in full stacked or split herringbone patterns.



*Black Herringbone*



*Black Stacked*



*Cappuccino Herringbone*



*Cappuccino Stacked*



*Grey Herringbone*



*Grey Stacked*

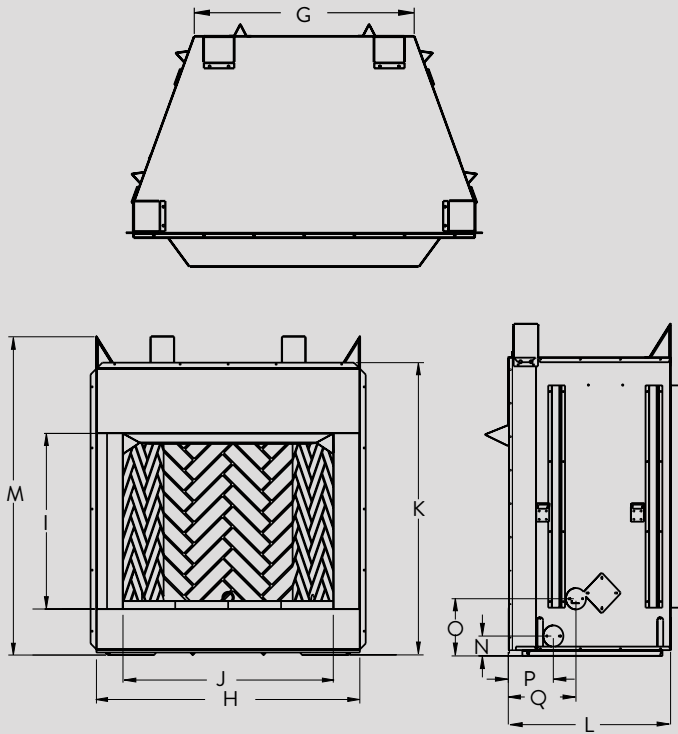


*Creamer Herringbone*



*Creamer Stacked*

## APPLIANCE SPECIFICATIONS



	MARQUEE 36	MARQUEE 42	MARQUEE 50
G	29"	30-5/16"	38-5/16"
H	45-1/8"	51-1/8"	59-1/8"
I	30"	30"	30"
J	36"	42"	50"
K	49"	49"	49"
L	28"	30"	30"
M	54-1/2"	54-1/2"	54-1/2"
N	3-5/16"	3-5/16"	3-5/16"
O	9-7/16"	9-7/16"	9-7/16"
P	7-3/8"	8-3/4"	8-3/4"
Q	11-1/8"	13"	13"

### IMPORTANT NOTES:

As with any fireplace, this appliance is extremely hot during operation. Read and understand all operating instructions before using this appliance. For further information, consult your dealer.

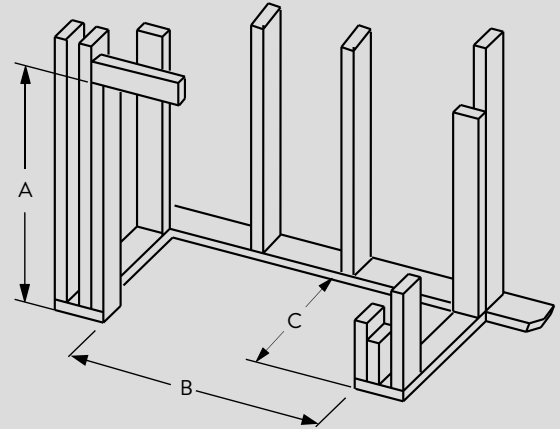
Local conditions, such as elevation and choice of fuel will affect overall appearance of the fire and heating performance. Performance can also vary with home design and insulation, ceiling height, accessories chosen and appliance location.

Diagrams, illustrations and photographs are not to scale — consult installation instructions. Product designs, materials, dimensions, specifications, colors and prices are subject to change or discontinuance without notice.

**astria**  
FIREPLACES®

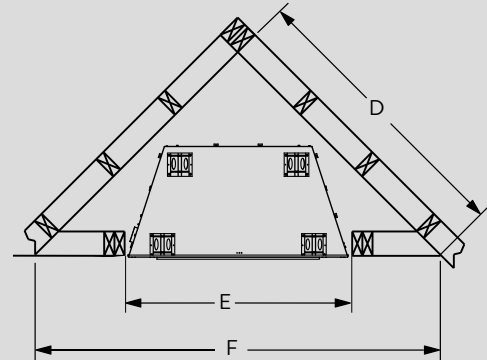
© 2022 Innovative Hearth Products  
785444M 07/22

## FRAMING SPECIFICATIONS



	MARQUEE 36	MARQUEE 42	MARQUEE 50
A	54-5/8"	54-5/8"	54-5/8"
B	45-3/8"	51-3/8"	59-3/8"
C	28-1/4"	30-1/8"	30-1/8"

## CORNER FRAMING SPECIFICATIONS



	MARQUEE 36	MARQUEE 42	MARQUEE 50
D	61"	65"	71"
E	45-3/8"	51-3/8"	59-3/8"
F	86-1/2"	92"	100"

## INTERIOR FIREBOX DIMENSIONS\*

	MARQUEE 36	MARQUEE 42	MARQUEE 50
FRONT WIDTH	35-1/4"	41-3/8"	49-3/8"
REAR WIDTH	22-1/2"	26-3/8"	34-3/8"
DEPTH	19"	21-3/4"	21-3/4"
HEIGHT	30"	30"	30"

\* To assist with compatible log size selection

Visit us online  
Astria.us.com

