

ATLAS

VENT-FREE GAS FIREBOXES



astria  
FIREPLACES®



*Atlas42 Vent-Free Firebox with White Herringbone Refractory Panels and Southern Comfort Log Set*

The **Atlas's** extra tall opening accentuates a variety of standard features to anyone familiar with real masonry fireplaces. The refractory panels are available in traditional white stacked and white herringbone patterns, with integrated ash lip. These fireboxes do not require heat deflection hoods and readily accept a large variety of vent-free logs.

## INTERIOR OPTIONS (Required)

Choose from White Stacked or White Herringbone Refractory Panels.



White Stacked



White Herringbone

## OPTIONAL DOORS



Decorative Twin Pane Screen Door

## COMPATIBLE VENT-FREE GAS LOG SETS



Bison Mountain



Western Timber



Rich Oak



Southern Comfort



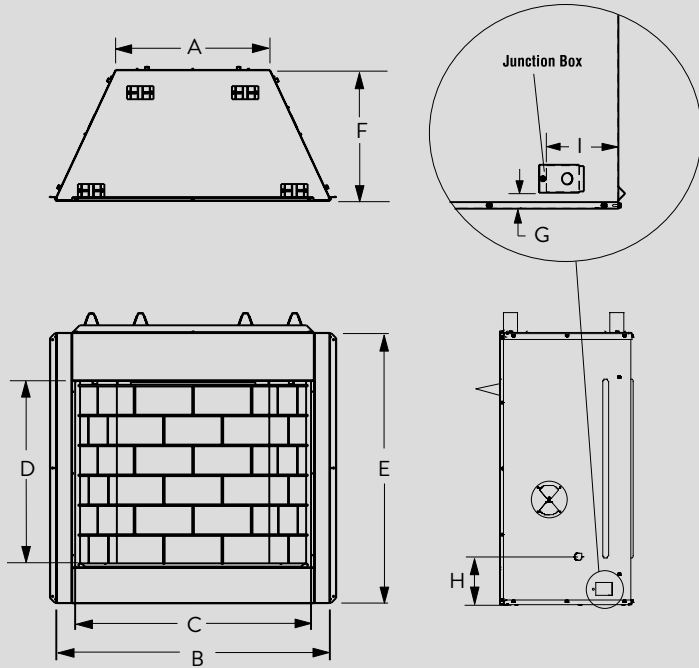
Shady Hollow

## STANDARD FEATURES

- ◆ Available in 36" and 42" radiant smooth-faced model
- ◆ 28" tall and full width refractory opening on all models
- ◆ White stacked refractory panels (sides, back and hearth with ashlip)
- ◆ Optional heat deflection hood (not required)
- ◆ Includes mesh fire screens & Junction box
- ◆ Durable textured powder coat finish
- ◆ Select from a variety of compatible vent-free log sets and controls (sold separately)
- ◆ Optional outside air kit
- ◆ Optional blower
- ◆ Lifetime Limited Warranty

Compatible with any ANSI Z21.11.2 listed vent-free log set. Choose an Astria vent-free log set for best results.

## APPLIANCE SPECIFICATIONS



	ATLAS 36	ATLAS 42
A	23-1/2"	29-1/2"
B	41-3/4"	47-3/4"
C	36"	42"
D	28"	28"
E	41-1/4"	41-1/4"
F	20"	20"
G	1-5/16"	1-5/16"
H	8-3/8"	8-3/8"
I	5-1/2"	5-1/2"

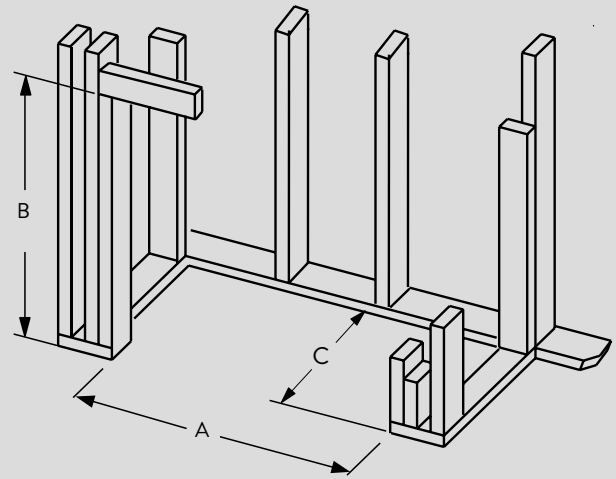
### IMPORTANT NOTES:

As with any fireplace, this appliance is extremely hot during operation. Read and understand all operating instructions before using this appliance. For further information, consult your dealer.

Local conditions, such as elevation, wind, vent configuration and choice of fuel will affect overall appearance of the fire and heating performance. Performance can also vary with home design and insulation, climate, condition and type of fuel used, appliance location, burn rate, accessories chosen, chimney installation and how the appliance is operated.

Diagrams, illustrations and photographs are not to scale—consult installation instructions. Product designs, materials, dimensions, specifications, colors and prices are subject to change or discontinuance without notice.

## FRAMING SPECIFICATIONS



	ATLAS 36	ATLAS 42
A	42 1/4"	48 1/4"
B	44 1/4"	44 1/4"
C	20-1/2"	20-1/2"

### INTERIOR FIREBOX DIMENSIONS\*

	ATLAS 36	ATLAS 42
FRONT WIDTH	35"	41"
REAR WIDTH	23-1/4"	29-1/4"
DEPTH	17-3/8"	17-3/8"
HEIGHT	28"	28"

\* To assist with compatible log size selection

astria  
FIREPLACES®

© 2022 Innovative Hearth Products  
785449M 07/22

Visit us online  
Astria.us.com

PFS  
US  
Report #F14-168

