

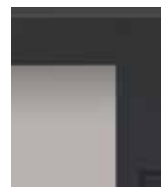


STANDARD FEATURES

- ◆ Circulating design features facade, square or arch doors and ceramic glass for optimum heat transfer
- ◆ EPA variable-rate certified high-efficiency wood heater
- ◆ 2.0 cubic foot insulated firebox that accepts up to 19" log size for increased performance
- ◆ Smooth refractory panels with integrated ash lip and steel log retainer
- ◆ Air combustion control for variable heat output with air boost for faster wood ignition during startup
- ◆ Includes insulated outside air kit (required for use)
- ◆ 55,000 BTUs and heats up to 1,500 square feet*
- ◆ Efficient air wash system that keeps glass clean
- ◆ Cast or steel door available with heat resistant door handle that stays cool to the touch
- ◆ Includes heat activated 200 CFM variable-speed blower for time-delayed heat distribution
- ◆ HeatFlo™ air kit and/or thermostatically controlled forced air kit available (three maximum outlets)
- ◆ Durable high temperature paint finish
- ◆ Limited Lifetime Warranty

**Square-foot heating capacities are approximations only. Actual performance may vary depending upon home design and insulation, ceiling heights, climate, condition and type of wood used, appliance location, burn rate, accessories chosen, chimney installation and how the appliance is operated.*

DOORS (Required)



Smooth-Steel



Cast-Iron



Hammered-Steel



Smooth-Steel

FACADE (Required)



Lowered Arch



Lowered Square



Clean Face

BRICK

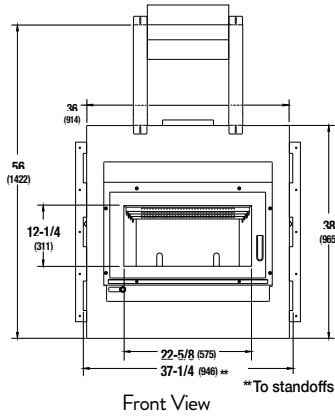


Smooth Panels

APPLIANCE SPECIFICATIONS

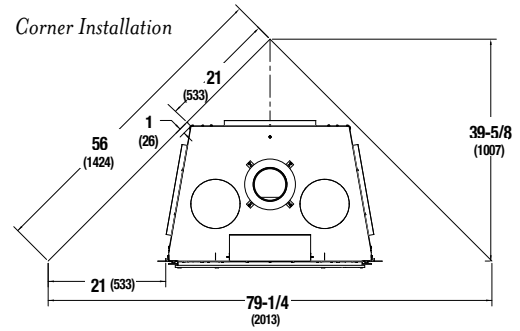
FRAMING SPECIFICATIONS

Front View

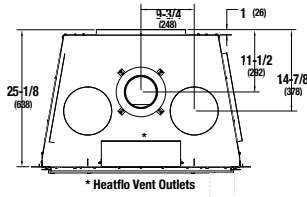


Front View

Corner Installation



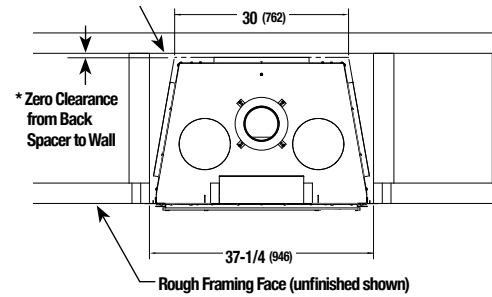
Top View



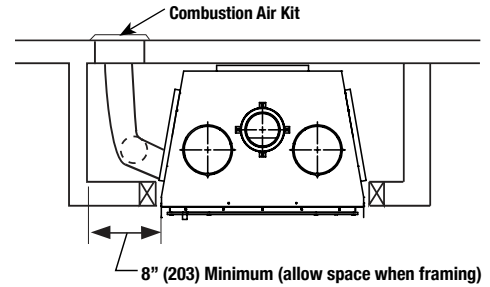
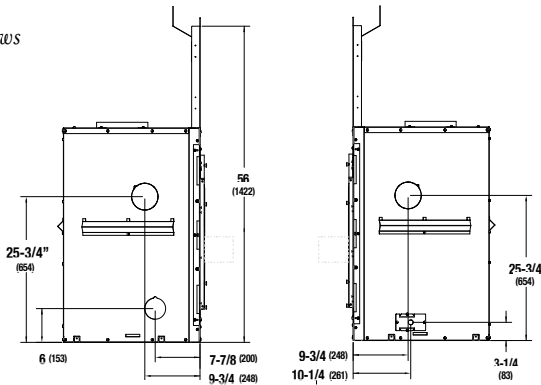
* Heatflo Vent Outlets

Back Wall of Chase / Enclosure Including Finishing Materials, if any

Outside Chase



Side Views



Combustion Air Kit

8" (203) Minimum (allow space when framing)

IMPORTANT NOTES:

As with any fireplace, this appliance is extremely hot during operation. Read and understand all operating instructions before using this appliance. For further information, consult your dealer.

Local conditions, such as elevation, wind, vent configuration and choice of fuel will affect overall appearance of the fire and heating performance. Performance can also vary with home design and insulation, climate, condition and type of fuel used, appliance location, burn rate, accessories chosen, chimney installation and how the appliance is operated.

Diagrams, illustrations and photographs are not to scale—consult installation instructions. Product designs, materials, dimensions, specifications, colors and prices are subject to change or discontinuance without notice.

PRODUCT SPECIFICATIONS

Glass Viewing Area (W x H)	22-1/2" x 12-1/4"
Firebox Interior (W x H x D)	22" x 11-3/4" x 12"
Interior Cubic Feet	2.0
Maximum Log Size	19"
EPA Rating	1.9 grams/hr
Max BTU	55,000
Heating Capacity (up to)	1,500 sq. ft.
Thermal Efficiency	72%
Blower	250 CFM

astria
FIREPLACES®

© 2023 Innovative Hearth Products
785759M 10/23

Visit us online
Astria.us.com

PFS®
C US
Report #14-199R1

