



STANDARD FEATURES

- ◆ 43" front open linear configuration
- ◆ Transform your fireplace into a see-through model using the optional conversion kit
- ◆ Gas controls are conveniently hidden in the fireplace floor
- ◆ Electronic ignition with battery backup to operate in the event of a power outage
- ◆ Dancing yellow flames
- ◆ Three flame settings for precise heat control
- ◆ Mood enhancing fireplace interior lighting
- ◆ Includes amber glass media and glass weather shield
- ◆ Remote control included
- ◆ Stainless steel construction for long lasting outdoor use
- ◆ Limited Lifetime Warranty

GLASS MEDIA (Choose One)

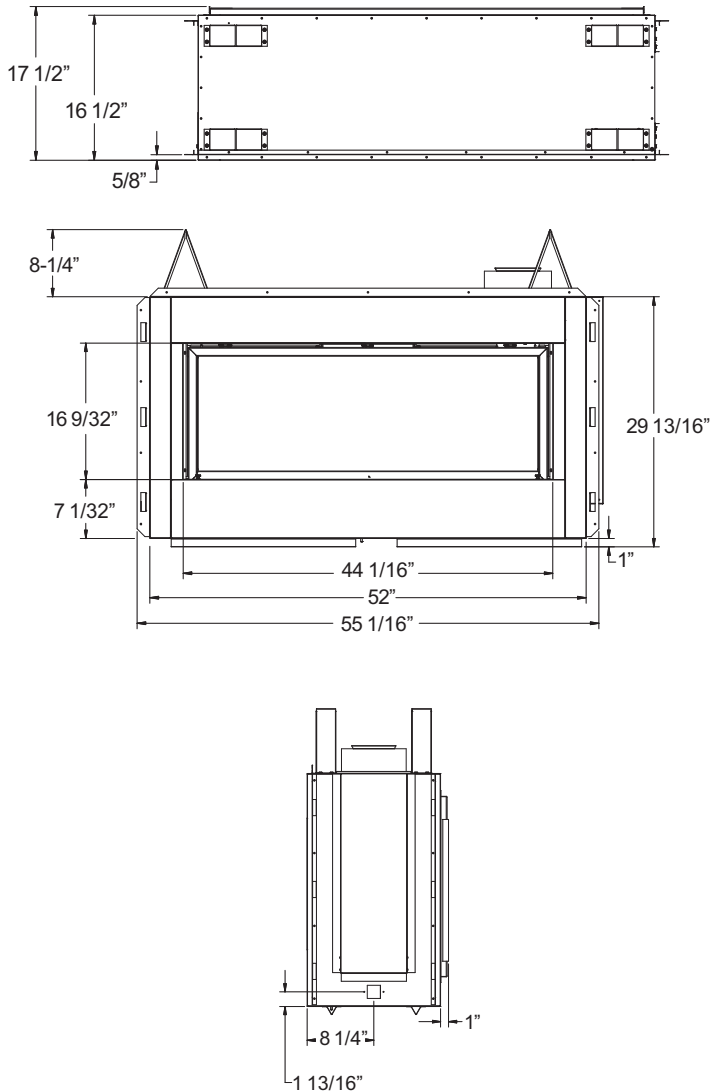


Clear (standard)



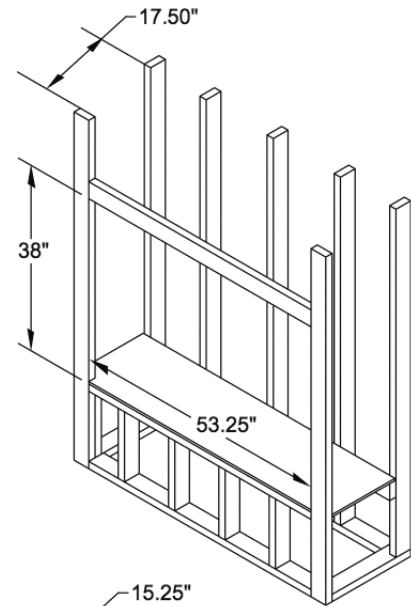
Amber

APPLIANCE SPECIFICATIONS

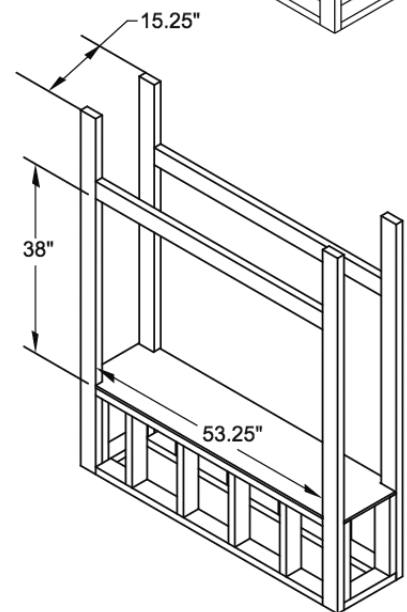


FLAT WALL FRAMING SPECIFICATIONS

ONE SIDED APPLICATION



SEETHROUGH APPLICATION



IMPORTANT NOTES:

As with any fireplace, this appliance is extremely hot during operation. Read and understand all operating instructions before using this appliance. For further information, consult your dealer.

Local conditions, such as elevation, wind, vent configuration and choice of fuel will affect overall appearance of the fire and heating performance. Performance can also vary with home design and insulation, climate, condition and type of fuel used, appliance location, burn rate, accessories chosen, chimney installation and how the appliance is operated.

DIAGRAMS, ILLUSTRATIONS AND PHOTOGRAPHS ARE NOT TO SCALE—CONSULT INSTALLATION INSTRUCTIONS. PRODUCT DESIGNS, MATERIALS, DIMENSIONS, SPECIFICATIONS, COLORS AND PRICES ARE SUBJECT TO CHANGE OR DISCONTINUANCE WITHOUT NOTICE.

FIREPLACE BTU OPERATING RANGE

MODEL	FUEL	BTU/HR
BERLIN LIGHTS	NG	25,000-39,000
BERLIN LIGHTS	LP	29,000-37,000

astria
FIREPLACES®

© 2021 Innovative Hearth Products
785761M 12/21

Visit us online
Astria.us.com

PFS
C US
Report #F12-052

