



Compass 35 with Reflective Black Crushed Glass and Optional Black Porcelain Liner

STANDARD FEATURES

- ◆ Available in a 35", 45", and 55" linear configured models
- ◆ HeatFlo™ kit option allows heat to be directed above heat sensitive wall hangings (45" & 55" models only)
- ◆ Electronic ignition with battery backup provides continued operation in the event of a power outage
- ◆ Clean-face design with integrated tile stops for easy finishing
- ◆ Decorative surrounds available to compliment drywall finished applications
- ◆ Outstanding heating efficiency for increased comfort and lower operating costs
- ◆ Standard tempered glass and a protective screen*
- ◆ Reflective black crushed glass media included with several optional colors available to customize the look
- ◆ Optional driftwood logs and river rocks are a perfect addition for a transitional design
- ◆ Black painted interior (optional porcelain liner available)
- ◆ Optional blower and hand-held remote controls available for all models
- ◆ Durable textured powder coat finish
- ◆ Limited lifetime warranty

*All applicable models comply with ANSI Z21.50/88 barrier requirements.

astria.us.com

LINERS



Black Painted (Standard)



Black Porcelain

MEDIA



Platinum Crushed Glass (Standard)



Reflective Black Crushed Glass



Reflective Blue Crushed Glass

DECORATIVE SURROUNDS



Black Surround



Stainless Surround

ACCESSORIES



High-Definition Driftwood Log Set for 55" Models



High-Definition Driftwood Log 45" Set



High-Definition Driftwood Log "35" Set



River Rock Assorted Set

CONTROL OPTIONS



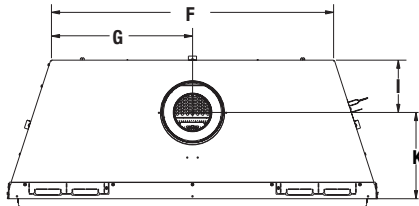
Thermostatic Remote (Optional)

Hand-Held On/Off Remote (Optional)

APPLIANCE SPECIFICATIONS

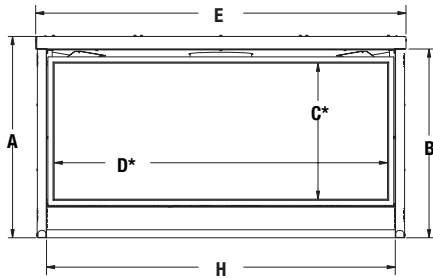
FLAT WALL FRAMING SPECIFICATIONS

TOP VIEW

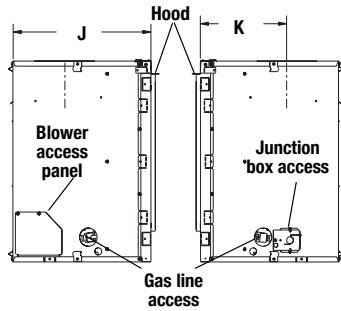


* C and D are viewing area dimensions

FRONT VIEW



LEFT SIDE VIEW



RIGHT SIDE VIEW

COMPASS

MODEL	A	B	C	D	E	F	G	H	I	J	K
35" MODELS	24-3/4"	23-1/4"	16-3/4"	30"	35-1/2"	24-3/4"	12-3/8"	32-7/8"	6-1/2"	17"	10-5/8"
45" MODELS	24-3/4"	23-1/4"	16-3/4"	40"	45-1/2"	34-3/4"	17-3/8"	42-7/8"	6-1/2"	17"	10-5/8"
55" MODELS	24-3/4"	23-1/4"	16-3/4"	50"	55-1/2"	44-3/4"	22-3/8"	52-7/8"	6-1/2"	17"	10-5/8"

Refer to Installation Manual for all required clearances to combustibles.

FIREPLACE BTU OPERATING RANGE

MODEL	FUEL	BTU/HR	AFUE	P4
COMPASS 35	NG	18,000-12,000	66.3	65.6
COMPASS 35	LP	16,000-13,000	58.0	62.8
COMPASS 45	NG	23,000-16,000	66.9	62.4
COMPASS 45	LP	21,000-17,000	61.0	64.9
COMPASS 55	NG	28,000-20,000	63.0	62.7
COMPASS 55	LP	27,000-21,000	60.3	63.0

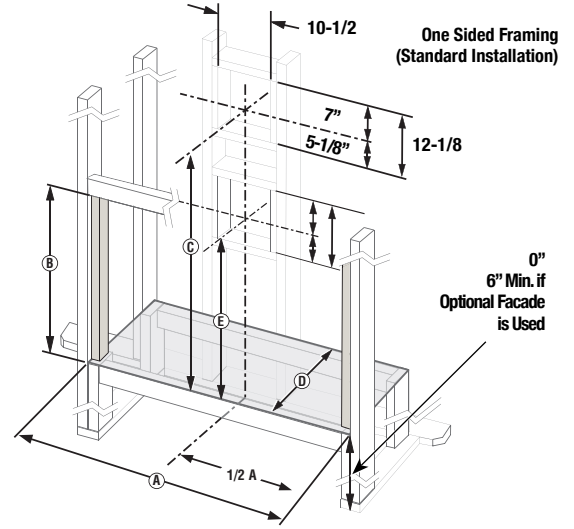
IMPORTANT NOTES:

As with any fireplace, this appliance is extremely hot during operation. Read and understand all operating instructions before using this appliance. For further information, consult your dealer. Local conditions, such as elevation and choice of fuel will affect overall appearance of the fire and heating performance. Performance can also vary with home design and insulation, ceiling height, accessories chosen and appliance location. Diagrams, illustrations and photographs are not to scale — consult installation instructions. Product designs, materials, dimensions, specifications, colors and prices are subject to change or discontinuance without notice.

astria
FIREPLACES®

© 2021 Innovative Hearth Products

Visit us online
Astria.us.com



COMPASS D FRAMING

MODEL	A	B	C	D	E
35" MODELS	35-7/8"	29"	42"	18"	31-1/2"
45" MODELS	45-7/8"	29"	42"	18"	31-1/2"
55" MODELS	55-7/8"	29"	42"	18"	N/A

C = Height for installations with 12" section directly off unit then elbow
D = for flush framing.

E = Height for installations with elbow directly off unit (see note below)

* Minimum opening size; additional 1/8" per side is recommended.

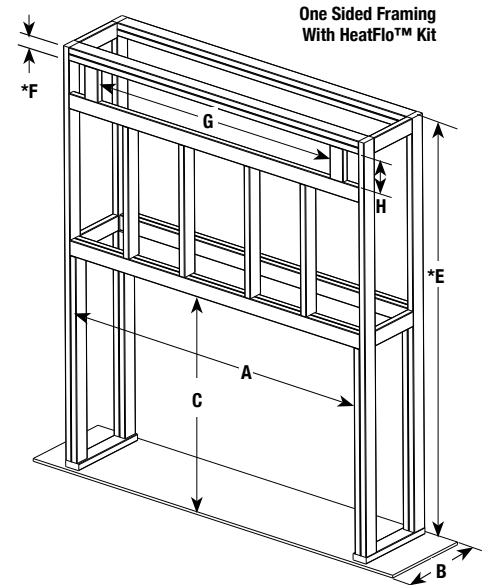
NOTE: Framing specifications do NOT apply for flexible venting. When using flexible venting, refer to the kit requirements for framing specifications.

NOTE: 35" & 45" model = Strongly recommend at least 1 ft of vertical rise directly off top of unit.

55" = 1 ft of vertical rise is required directly off unit.

COMPASS HEATFLO FRAMING

	45" One Sided Framing HeatFlo Kit	55" One Sided Framing HeatFlo Kit
A	45-7/8"	55-7/8"
B	18"	18"
C	29"	29"
E	81-1/2"	81-1/2"
F	1-1/2"	1-1/2"
G	43-1/2"	53-1/2"
H	5-1/8"	5-1/8"



E = Minimum height from appliance base to ceiling

F = Minimum opening distance from ceiling to allow for min distance from HeatFlo register to ceiling of δ"

Refer to Spec Sheet for complete see-through applications and instructions.

PFS
C US
Report No. F19-008

