

IRONSTRIKE WOOD STOVES
TAHOMA 1600
CABIN COLLECTION



TAHOMA 1600

OVERVIEW

- ◇ Large rectangular door provides an expansive view of the burning fire.
- ◇ Ceramic glass for extra strength and optimum heat transfer.
- ◇ Unique, integral air wash system keeps the glass clean and clear for a wide-open view of the fire.
- ◇ Precision-cut, heavy-gauge steel provides dependable, long-lasting operation.
- ◇ High-density firebrick retains heat longer, resulting in increased efficiency.
- ◇ One-touch control ensures easy operation and comfort.
- ◇ Standard black pedestal base included.
- ◇ Optional 150-CFM blower with Dial-A-Temp speed control.
- ◇ EPA-certified and Washington State-approved for clean and efficient operation.
- ◇ Limited Lifetime Warranty



SPECIFICATIONS

PRODUCT DIMENSIONS

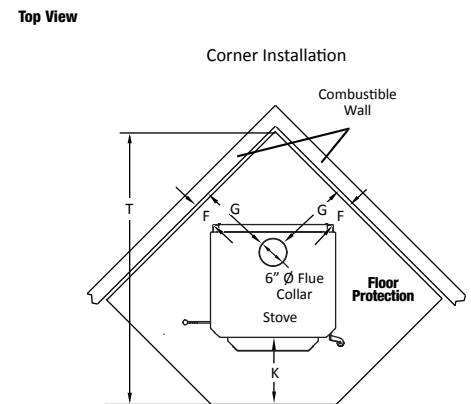
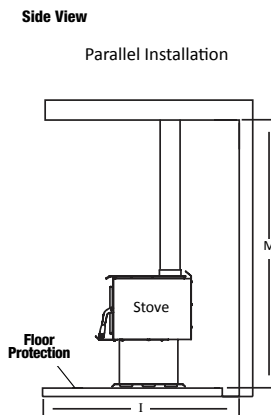
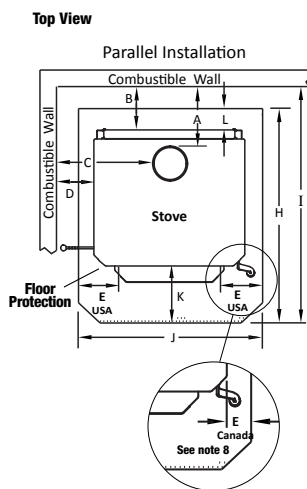
		TAHOMA 1600	
Width		24-3/8"	
Height		30-1/4"	
Depth		19-3/8"	

CLEARANCES

		TAHOMA 1600			
		US Single-Wall Connector	US Double-Wall Connector	Canada Single-Wall Connector	Canada Double-Wall Connector
A	Flue to back wall	16"	10"	19"	13"
B	Stove back to wall	14"	8"	14"	8"
C	Flue to side wall	21"	18"	24"	21"
D	Stove side to wall	12-1/2"	9-1/2"	12-1/2"	9-1/2"
E†	Door opening/hearth pad	8"	8"	8"	8"
F	Stove back corner to wall	9-3/4"	5-1/2"	9-3/4"	5-1/2"
G	Corner, flue to wall	18"	13-1/2"	21"	16-1/2"
H	Hearth pad depth	33-3/4"	33-3/4"	43-3/4"	43-3/4"
I	Hearth front to back wall	47-3/4"	41-3/4"	52-3/4"	46-3/4"
J	Hearth pad width	33-1/2"	33-1/2"	39-1/2"	39-1/2"
K	Stove door to hearth front	16"	16"	18"	18"
L	Stove back to hearth back	0"	0"	8"	8"
M	Ceiling height	84"	72"	84"	84"
N	Corner, hearth pad depth	58-1/2"	52"	64-3/4"	64-3/4"

† USA = 8" (200mm) from door opening
Canada = 8" (200mm) from sides and back of unit

DIAGRAMS



IMPORTANT NOTES:

As with any heating appliance, fireplace or stove, this appliance is extremely hot during operation. Read and understand all operating instructions before using this appliance. For further information, consult your dealer. Actual performance may vary depending upon home design and insulation, ceiling heights, climate, condition and type of wood used, appliance location, burn rate, accessories chosen, chimney installation and how the appliance is operated. Diagrams, illustrations and photographs are not to scale—consult installation instructions. Product designs, materials, dimensions, specifications, colors and prices are subject to change or discontinuance without notice.

