



## STANDARD FEATURES

- ◆ Listed to ANSI Z21.88 Gas Fireplace Heater

---

- ◆ Available in 40" clean-faced corner, peninsula & see through models

---

- ◆ Combo top/rear flue configuration

---

- ◆ Energy saving electronic ignition

---

- ◆ Pre-wired for wall switch

---

- ◆ Outstanding heating efficiency for increased comfort and lower operating costs

---

- ◆ Standard tempered glass and 2015 ANSI barrier compliant

---

- ◆ Detailed ceramic fiber "aged oak" log set with 1/2" heavy-duty grate

---

- ◆ Black painted interior (optional ceramic fiber liner available)

---

- ◆ Durable textured powder coat finish

---

- ◆ Optional remote control available for all models

---

- ◆ Uses IHP SV 4-1/2" x 7-1/2" Direct Vent Pipe

---

- ◆ Limited Lifetime Warranty

---




Libra - Peninsula



Libra - Corner

## INTERIOR (Choose One)



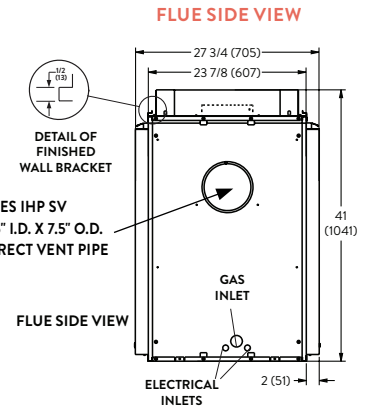
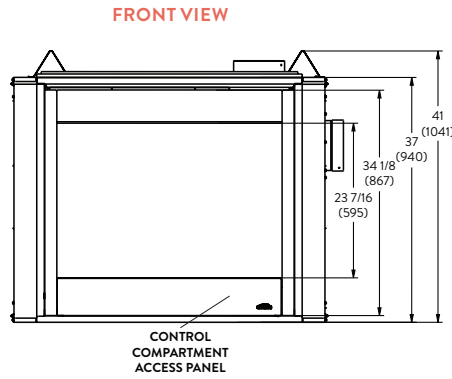
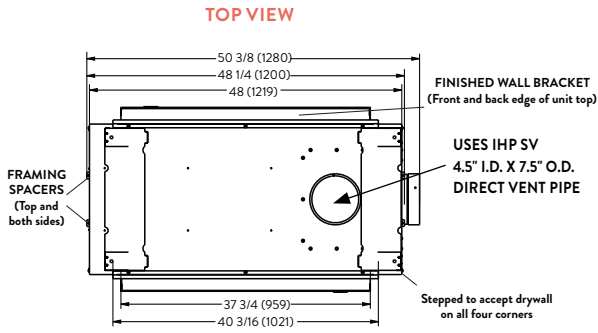
Black Painted (Standard)



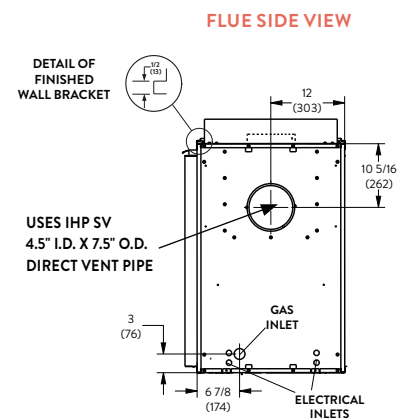
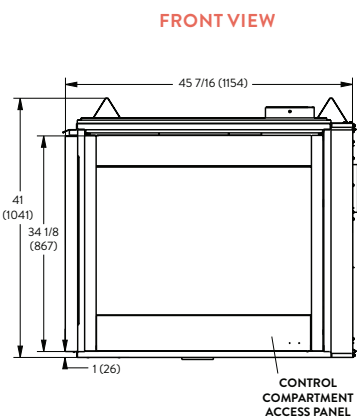
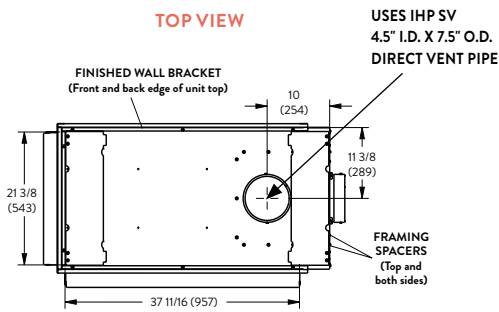
Buff Stacked

# APPLIANCE SPECIFICATIONS

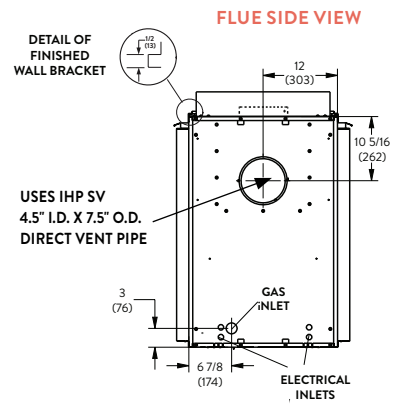
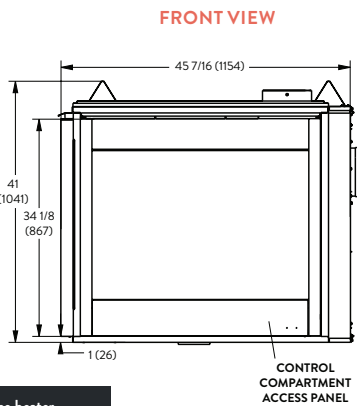
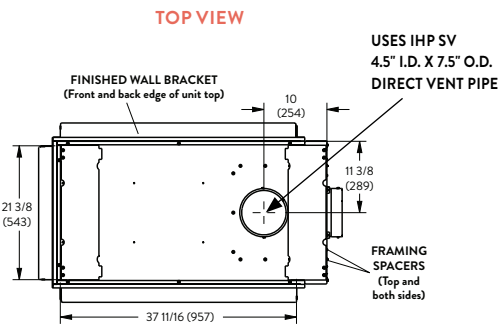
Libra ST (See Through)



Libra CL (Corner)



Libra PF (Peninsula)



## LIBRA MULTI-VIEW FIREPLACE EFFICIENCIES – Listed to ANSI Z21.88 as a gas fireplace heater

MODEL	FUEL	BTU/HR	AFUE**	P4 / ENERGUIDE
LIBRA ST40DEN	NG	37,000	68.2%	57.7%
LIBRA PF40DEN	NG	37,000	68.2%	57.7%
LIBRA CL40DEN	NG	31,000	68.2%	57.7%
LIBRA CR40DEN	NG	31,000	68.2%	57.7%

\*\*Annual Fuel Utilization Efficiency (AFUE) is the recognized U.S. rating system for the total efficiency of heating products.

## IMPORTANT NOTES:

As with any fireplace, this appliance is extremely hot during operation. Read and understand all operating instructions before using this appliance. For further information, consult your dealer.

Local conditions, such as elevation, wind, vent configuration and choice of fuel will affect overall appearance of the fire and heating performance. Performance can also vary with home design and insulation, climate, condition and type of fuel used, appliance location, burn rate, accessories chosen, chimney installation and how the appliance is operated.

Diagrams, illustrations and photographs are not to scale—consult installation instructions. Product designs, materials, dimensions, specifications, colors and prices are subject to change or discontinuance without notice.

**astria**  
FIREPLACES®

© 2021 Innovative Hearth Products  
785774M 11/21

Visit us online  
Astria.us.com

