



## STANDARD FEATURES

- ◆ Available in 36", 42" and 50" models

---

- ◆ 30" tall and full width opening on all models

---

- ◆ Fully insulated firebox for increased performance in colder climates

---

- ◆ Mosaic Masonry Firebrick or Estate Refractory Panels available in a variety of patterns and colors with integrated ash lip (1- required)

---

- ◆ Includes mesh fire screens

---

- ◆ Durable textured powder coat finish

---

- ◆ Select from a variety of compatible vent-free log sets and controls (sold separately)

---

- ◆ Easy-access gas line knockouts on both sides for quick and simple installation.

---

- ◆ Dual (left hand/right hand) outside air kits available for maximum performance

---

- ◆ Lifetime Limited Warranty

Compatible with any listed ANSI Z21.11.2 vent-free log set.  
Choose an Astria vent-free gas log set for best results.

## MOSAIC MASONRY FIREBRICK LINERS



Midnight Full Herringbone



Midnight Full Stack



Warm Red Full Herringbone



Warm Red Full Stack



Midnight Split Herringbone



Midnight Split Stack



Warm Red Split Herringbone



Warm Red Split Stack



Slate Grey Full Herringbone



Slate Grey Full Stack



Ivory Full Herringbone



Ivory Full Stack



Slate Grey Split Herringbone



Slate Grey Split Stack



Ivory Split Herringbone



Ivory Split Stack

## ESTATE PANEL REFRACTORY LINERS



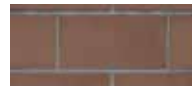
Black Herringbone



Black Stack



Cappuccino Herringbone



Cappuccino Stack



Grey Herringbone



Grey Stack



Creamer Herringbone



Creamer Stack

Fireplace interior liner samples, images, descriptions, and specifications are for reference only. Actual color and finish may vary due to natural materials, manufacturing processes, and digital display differences.

## COMPATIBLE VENT-FREE GAS LOG SETS



Rich Oak



Western Timber



Ironwood Ridge



Peakside Timber

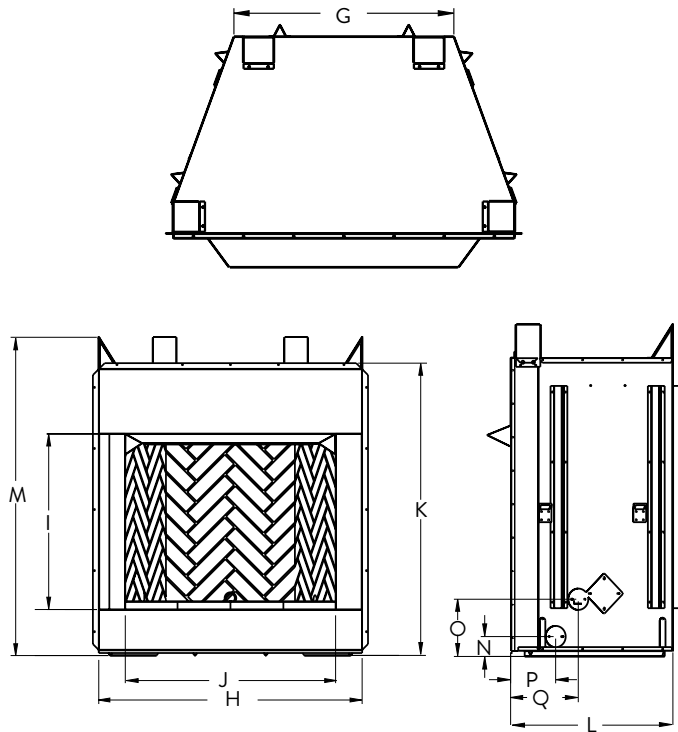


Southern Comfort



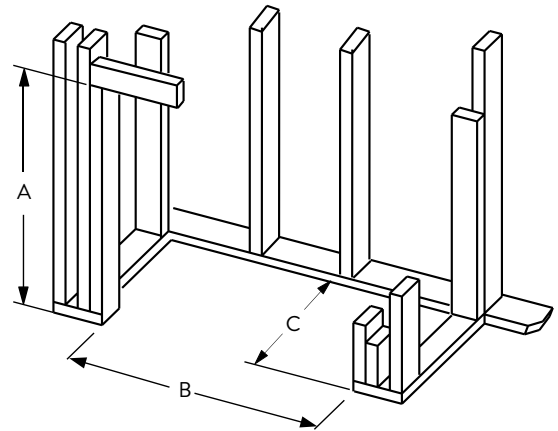
Shady Hollow

## APPLIANCE SPECIFICATIONS



	MARQUEE 36	MARQUEE 42	MARQUEE 50
G	29"	30-5/16"	38-5/16"
H	45-1/8"	51-1/8"	59-1/8"
I	30"	30"	30"
J	36"	42"	50"
K	49"	49"	49"
L	28"	30"	30"
M	54-1/2"	54-1/2"	54-1/2"
N	3-5/16"	3-5/16"	3-5/16"
O	9-7/16"	9-7/16"	9-7/16"
P	7-3/8"	8-3/4"	8-3/4"
Q	11-1/8"	13"	13"

## FLAT WALL FRAMING SPECIFICATIONS



	MARQUEE 36	MARQUEE 42	MARQUEE 50
A	54-5/8"	54-5/8"	54-5/8"
B	45-3/8"	51-3/8"	59-3/8"
C	28-1/4"	30-1/8"	30-1/8"

### INTERIOR FIREBOX DIMENSIONS\*

	MARQUEE 36	MARQUEE 42	MARQUEE 50
FRONT WIDTH	35-1/4"	41-3/8"	49-3/8"
REAR WIDTH	22-1/2"	26-3/8"	34-3/8"
DEPTH	19"	21-3/4"	21-3/4"
HEIGHT	30"	30"	30"

\* To assist with compatible log size selection

#### IMPORTANT NOTES:

As with any fireplace, this appliance is extremely hot during operation. Read and understand all operating instructions before using this appliance. For further information, consult your dealer.

Local conditions, such as elevation and choice of fuel will affect overall appearance of the fire and heating performance. Performance can also vary with home design and insulation, ceiling height, accessories chosen and appliance location.

Diagrams, illustrations and photographs are not to scale — consult installation instructions. Product designs, materials, dimensions, specifications, colors and prices are subject to change or discontinuance without notice.

**astria**  
FIREPLACES®

© 2026 Innovative Hearth Products  
785776M 03/26

Visit us online  
Astria.us.com

