



STANDARD FEATURES

- ◆ Available in 36" and 42" radiant (clean-face) models
- ◆ Dual tube burner uses 6" b-vent
- ◆ Millivolt (Remote-ready) or electronic ignition
- ◆ Dramatic yellow flames with glowing ember bed
- ◆ Detailed ceramic fiber "split oak" log set with log grate
- ◆ Two interior options (stacked refractory panels or herringbone refractory panels)
- ◆ Screens retract into hidden screen pockets
- ◆ Hidden gas controls with damper safety switch
- ◆ Durable textured powder coat finish
- ◆ Optional outside air kit for increased performance
- ◆ Optional blower and remote controls available for all models
- ◆ Dual access pre-wired electrical J-box
- ◆ Lifetime limited warranty

DOORS (Optional)



Bi-Fold Doors



Black

LINERS (Choose One)



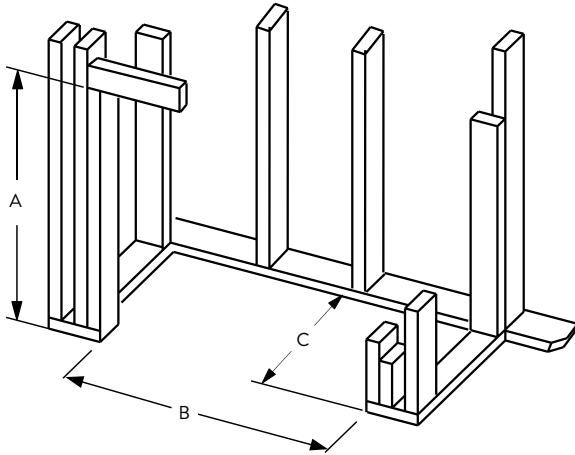
White Stacked



White Herringbone

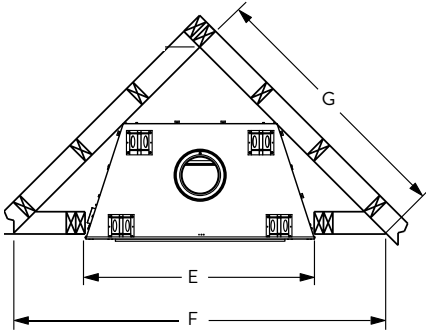
APPLIANCE SPECIFICATIONS

FLAT WALL FRAMING SPECIFICATIONS



	MISSION 36	MISSION 42
A	40-3/8"	44-3/8"
B	41-1/4"	48-1/4"
C	21-3/8"	23-1/8"

CORNER FRAMING SPECIFICATIONS



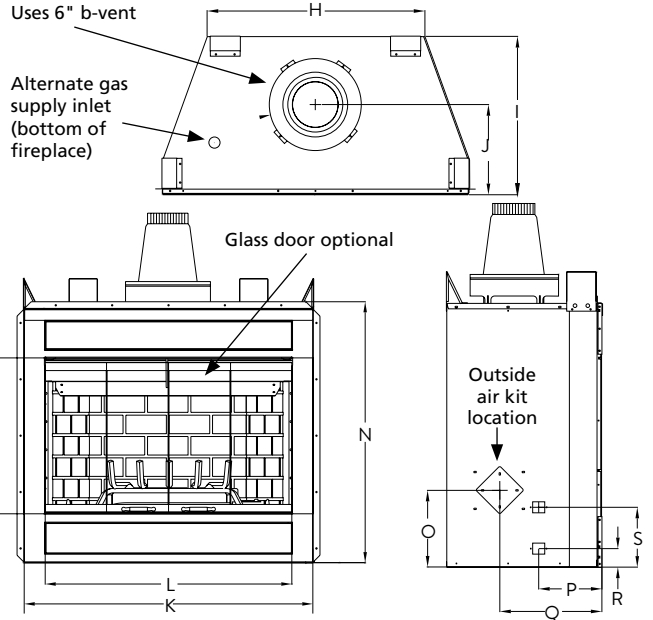
	MISSION 36	MISSION 42
E	41-1/4"	48-1/4"
F	73-7/8"	83-7/8"
G	52-3/16"	59-5/16"

IMPORTANT NOTES:

As with any fireplace, this appliance is extremely hot during operation. Read and understand all operating instructions before using this appliance. For further information, consult your dealer.

Local conditions, such as elevation, wind, vent configuration and choice of fuel will affect overall appearance of the fire and heating performance. Performance can also vary with home design and insulation, climate, condition and type of fuel used, appliance location, burn rate, accessories chosen, chimney installation and how the appliance is operated.

DIAGRAMS, ILLUSTRATIONS AND PHOTOGRAPHS ARE NOT TO SCALE—CONSULT INSTALLATION INSTRUCTIONS. PRODUCT DESIGNS, MATERIALS, DIMENSIONS, SPECIFICATIONS, COLORS AND PRICES ARE SUBJECT TO CHANGE OR DISCONTINUANCE WITHOUT NOTICE.



	MISSION 36	MISSION 42
H	29"	36"
I	21-1/4"	23"
J	12"	14"
K	41"	48"
L	34-3/4"	42"
M	21"	24"
N	36"	40"
O	10-1/2"	12-1/2"
P	8-5/8"	10-1/2"
Q	13-7/8"	14"
R	2-1/2"	2-1/2"
S	8-1/8"	8-1/8"

FIREPLACE SPECIFICATION-FIXED BTU INPUT

MODEL	FUEL	BTU/HR
MISSION36	NG	40,000
MISSION36	LP	31,000
MISSION42	NG	45,000
MISSION42	LP	37,000

astria
FIREPLACES®

© 2023 Innovative Hearth Products
785777M 10/23

Visit us online
Astria.us.com

PFS
C US
Report #F09-143

