



## STANDARD FEATURES

- ◆ Available in 36", 42" and 50" models

---

- ◆ Massive smoke dome with no visible smoke shelf for reliable operation

---

- ◆ Fully insulated firebox for increased performance in colder climates

---

- ◆ Mosaic Masonry™ brick or Estate Refractory Panels available in a variety of patterns and colors with integrated ash lip (one required)

---

- ◆ Durable 304-stainless steel on front face, and all surfaces exposed to weather.

---

- ◆ Heavy duty stainless steel log grate

---

- ◆ Includes stainless steel mesh fire screens

---

- ◆ Easy access damper control

---

- ◆ Optional glass doors available in black trim finish for improved safety

---

- ◆ Uses IHP 12 DM (1700°) double wall air cooled wood burning chimney

---

- ◆ Uses IHP 12 HT (2100°) heavy gauge double wall air cooled wood burning chimney, recommended for cold climates (required for Canada)

---

- ◆ 20 Year Limited Warranty

## MOSAIC MASONRY FIREBRICK LINERS

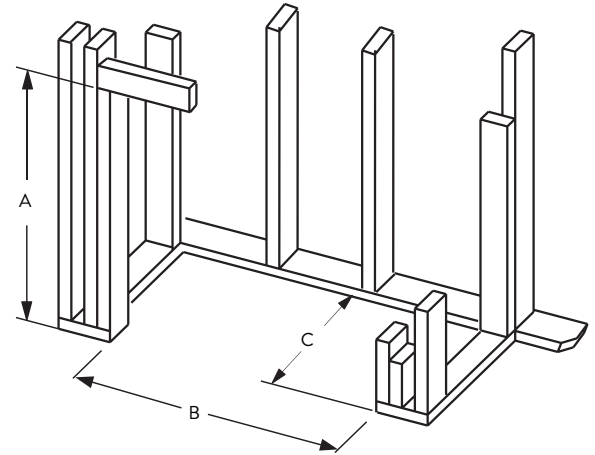
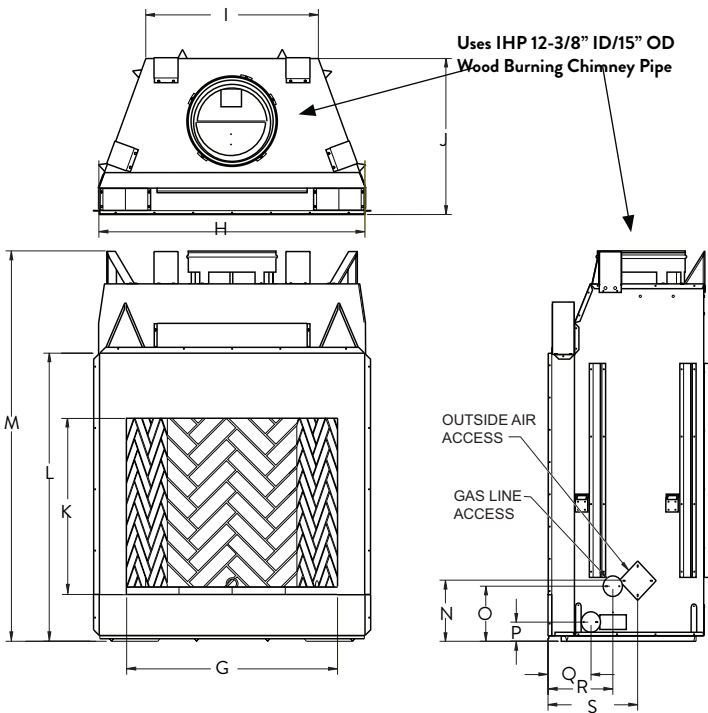


## ESTATE PANEL REFRACTORY LINERS



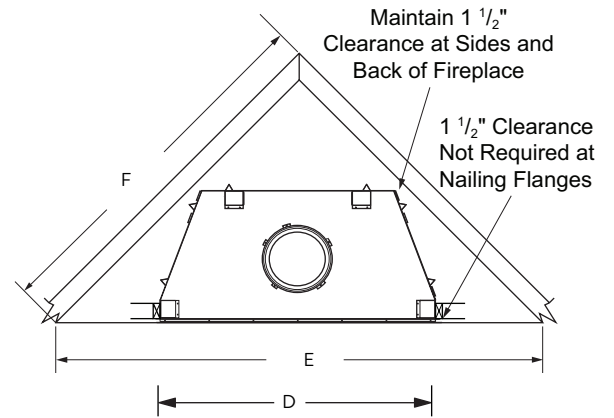
## APPLIANCE SPECIFICATIONS

## FLAT WALL FRAMING SPECIFICATIONS



	ORACLE 36	ORACLE 42	ORACLE 50
A	67-1/8"	67-1/8"	67-1/8"
B	45-1/4"	51-1/4"	59-1/4"
C	28-1/4"	30-1/8"	30-1/8"

## CORNER FRAMING SPECIFICATIONS



	ORACLE 36	ORACLE 42	ORACLE 50
D	45-1/4"	51-1/4"	59-1/4"
E	86-1/2"	92"	100"
F	61"	65"	71"

### IMPORTANT NOTES:

As with any fireplace, this appliance is extremely hot during operation. Read and understand all operating instructions before using this appliance. For further information, consult your dealer.

Local conditions, such as elevation, wind, vent configuration and choice of fuel will affect overall appearance of the fire and heating performance. Performance can also vary with home design and insulation, climate, condition and type of fuel used, appliance location, burn rate, accessories chosen, chimney installation and how the appliance is operated.

	ORACLE 36	ORACLE 42	ORACLE 50
G	36"	42"	50"
H	45-1/8"	51-1/8"	59"
I	29"	30-1/2"	38-1/2"
J	26-5/8"	29"	28-1/2"
K	30"	30"	30"
L	49"	49"	49"
M	67"	67"	67"
N	10-1/2"	10-1/2"	10-1/2"
O	9-1/2"	9-1/2"	9-1/2"
P	3-1/2"	3-1/2"	3-1/2"
Q	7-1/4"	8-1/2"	8-1/2"
R	11"	13"	13"
S	15-1/4"	17"	17"

DIAGRAMS, ILLUSTRATIONS AND PHOTOGRAPHS ARE NOT TO SCALE—CONSULT INSTALLATION INSTRUCTIONS. PRODUCT DESIGNS, MATERIALS, DIMENSIONS, SPECIFICATIONS, COLORS AND PRICES ARE SUBJECT TO CHANGE OR DISCONTINUANCE WITHOUT NOTICE.